

6 Lights  
Diameter: 24"  
Height: 29-1/2"  
Hanging Weight: 27lbs.

**T**HIS DESIGN IS THE PROPRIETARY  
TRADE DRESS/TRADEMARK OF  
SWAROVSKI LIGHTING, LTD.

**SCHONBEK**

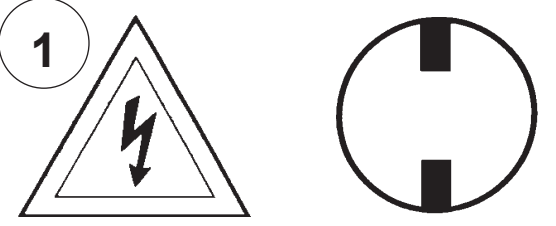
**1870**

**SCHONBEK**

**1870**

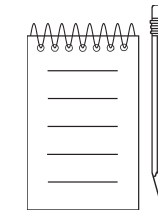
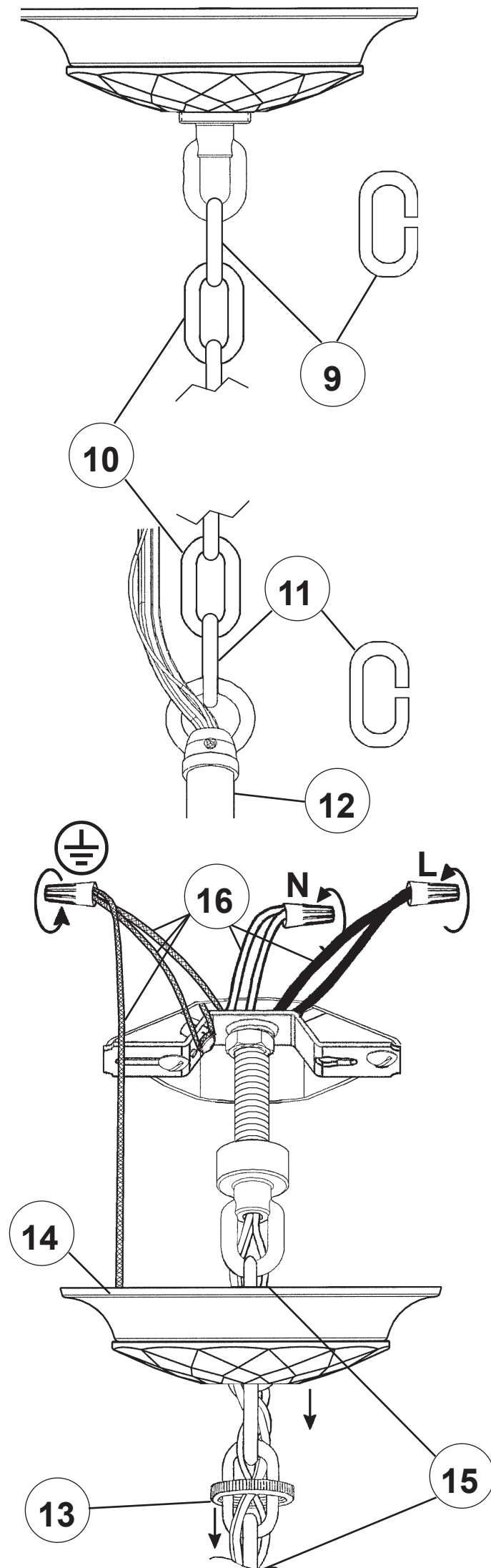
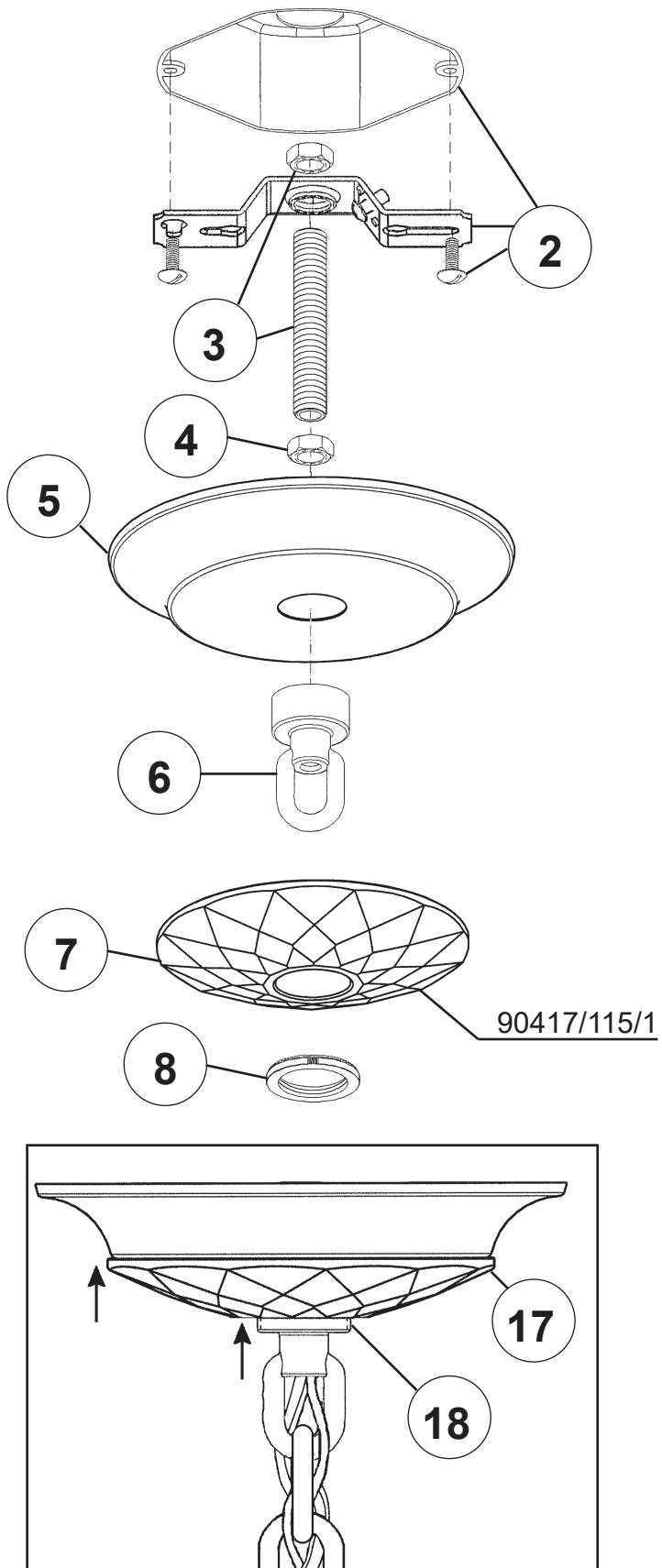
MAX <u>60</u> W	110-120 V							

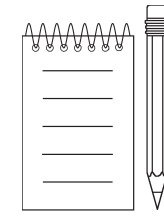
**WARNING:**

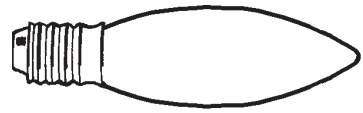
1 

**Electrical Danger Turn Power Off**

All electrical components must be installed by a licensed electrician in accordance with the National Electric Code and the appropriate local electrical codes.







You will need 6 - B10  
25 Watts Recommended  
60 Watts Max

**Install bulbs and be sure  
to test fixture BEFORE  
trimming.**

1 X  : 400/16-\*\*

