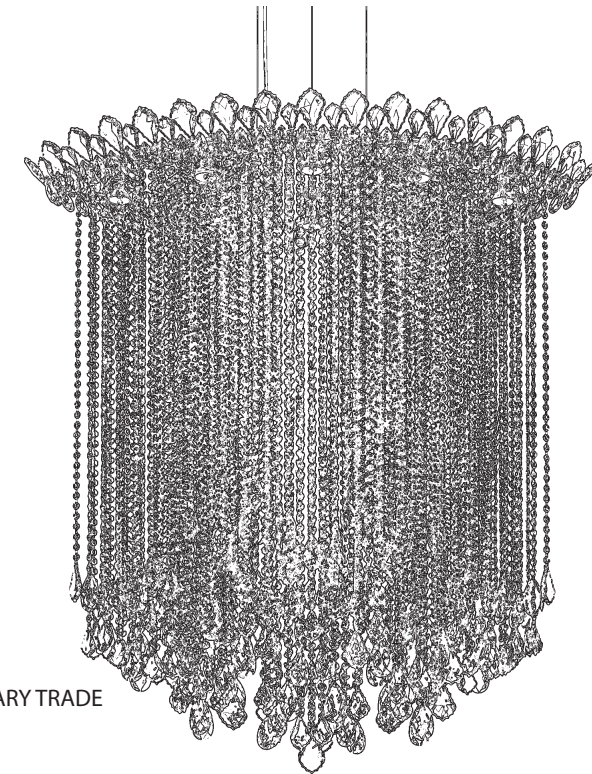




SCHONBEK®

**TRILLIANE STRANDS
TR4813N- __ __ H**



THIS DESIGN IS THE PROPRIETARY TRADE
DRESS/TRADEMARK OF
SWAROVSKI LIGHTING, LTD.

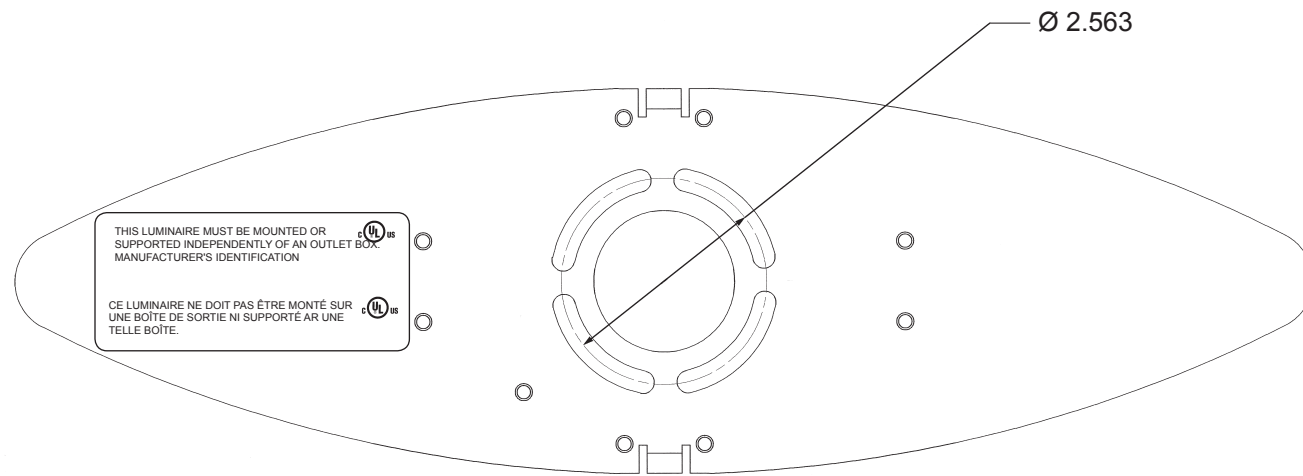
8 Lights
Height: 48"
Length: 45"
Width: 25"
Hanging Weight: 83lbs.



SCHONBEK®

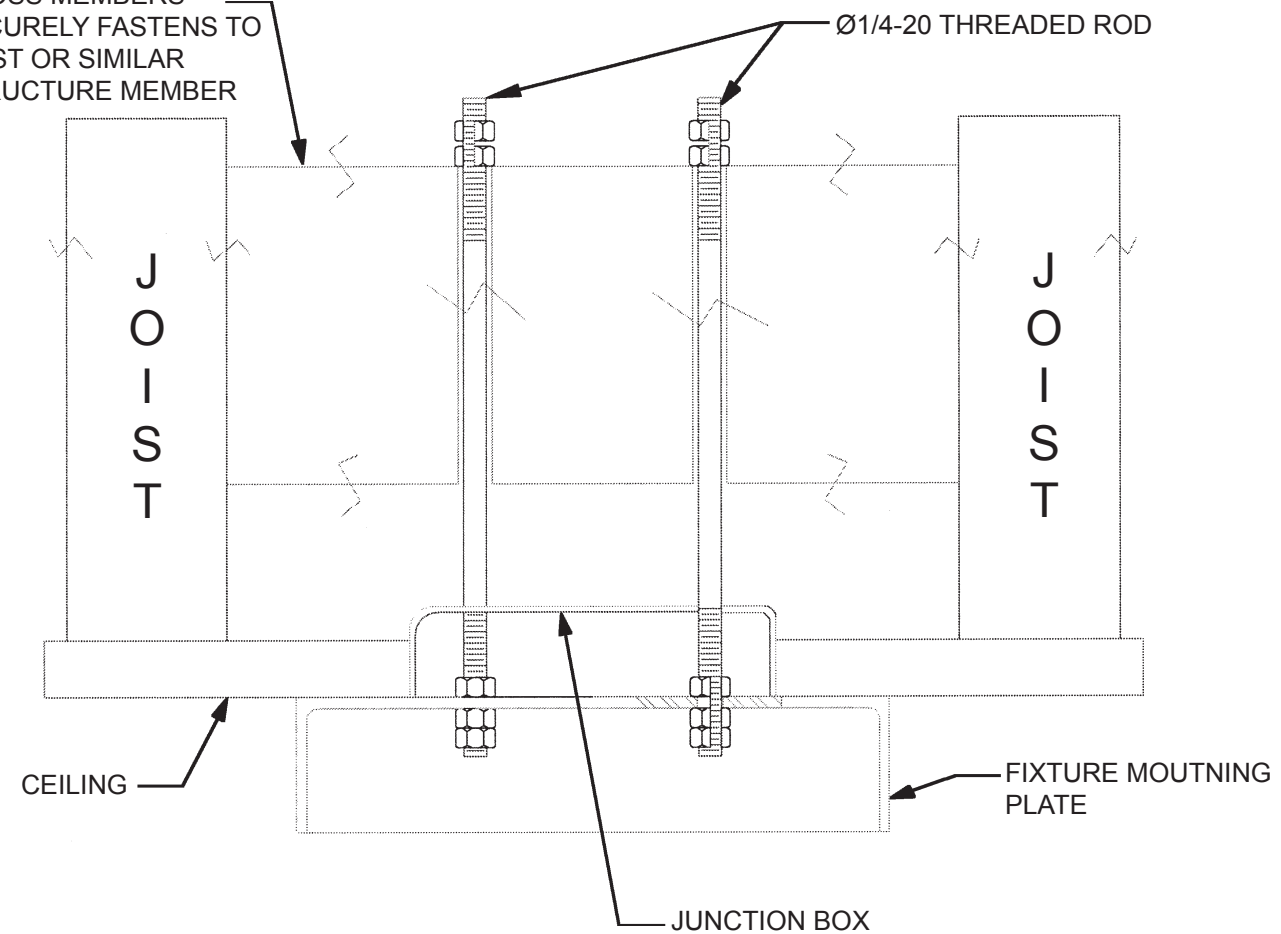
MAX <u>50</u> W	110-120 V						

NOTE: INSTALLER IS SOLELY RESPONSIBLE FOR PROPER MOUNTING!



PLAN VIEW OF MOUNTING BRACKET

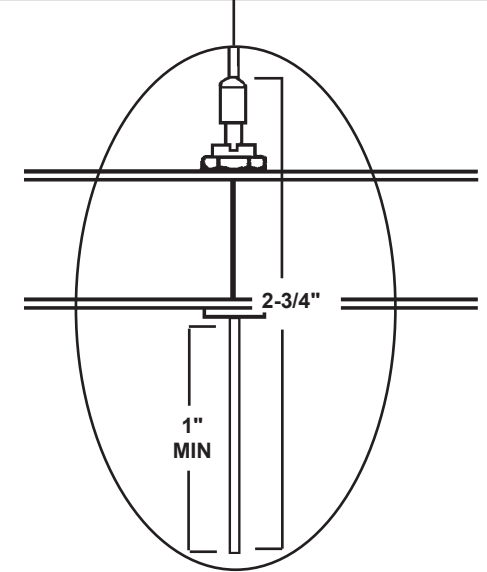
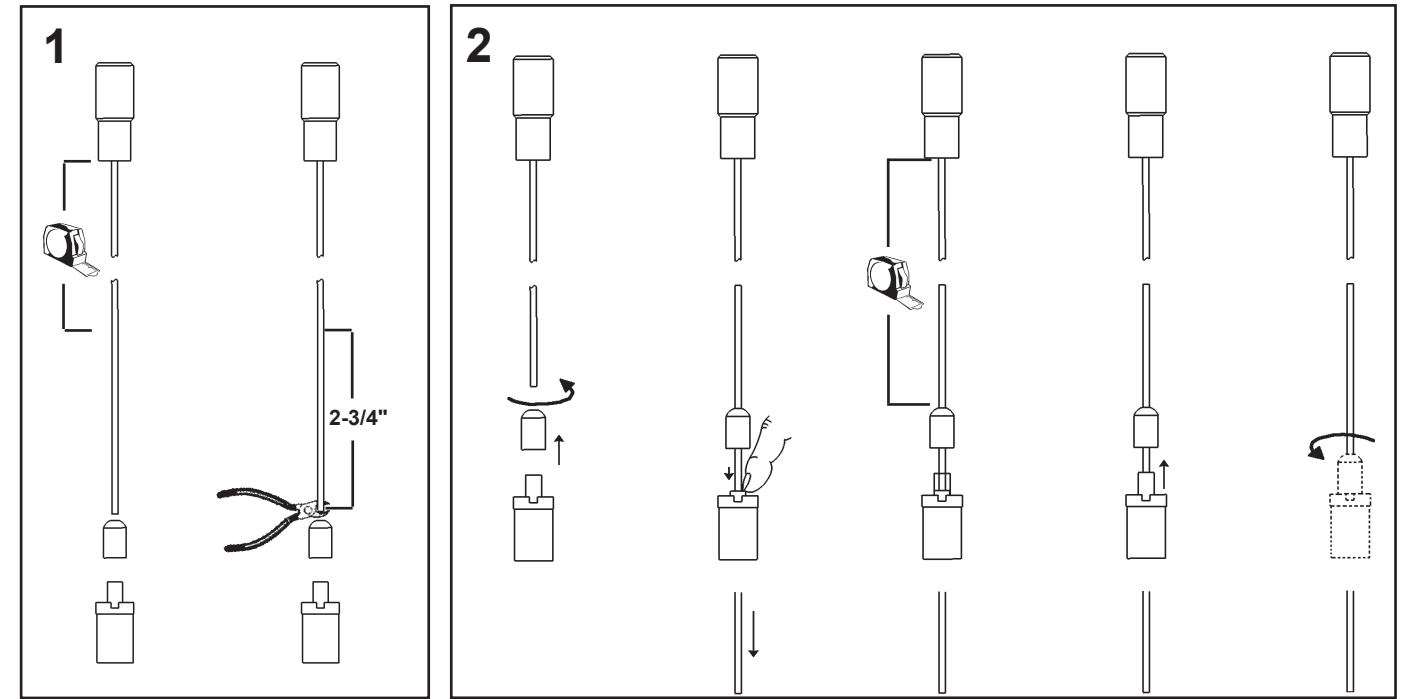
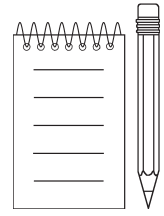
CROSS MEMBERS SECURELY FASTENS TO JOIST OR SIMILAR STRUCTURE MEMBER

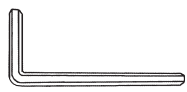


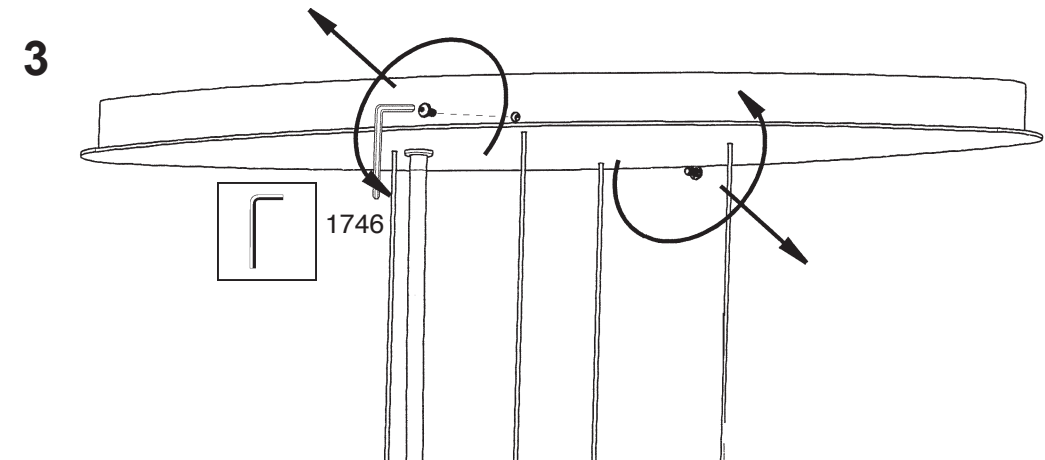
WARNING:

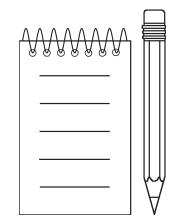
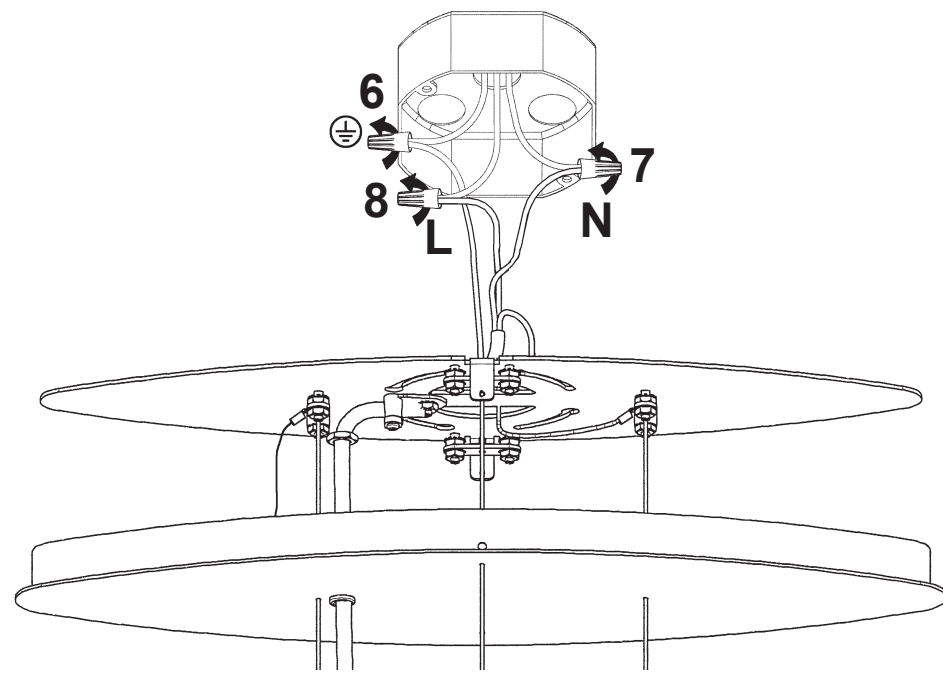
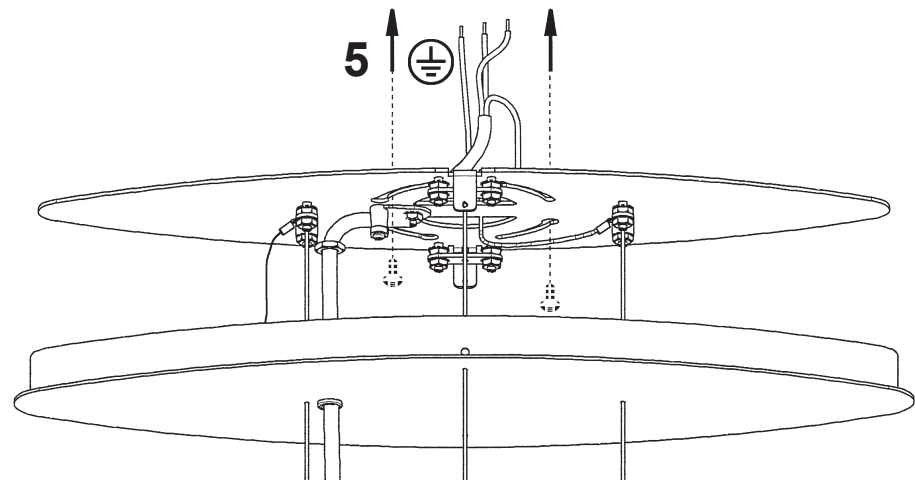
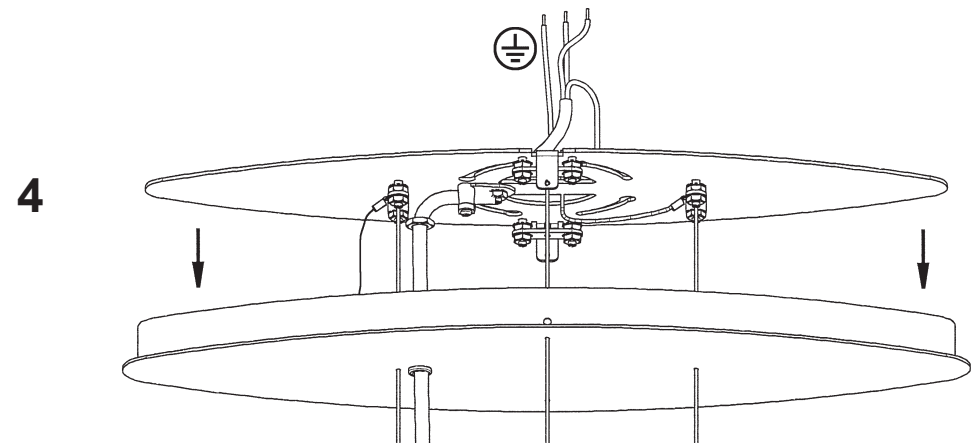
MOUNTING CONFIGURATION AND HARDWARE MUST HOLD 4X THE WEIGHT OF THE FIXTURE. MOUNTING DESIGN AND FIXTURE INSTALLATION SHOULD BE CONDUCTED BY A QUALIFIED LICENSED PROFESSIONAL.

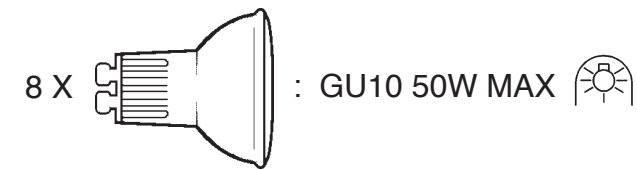
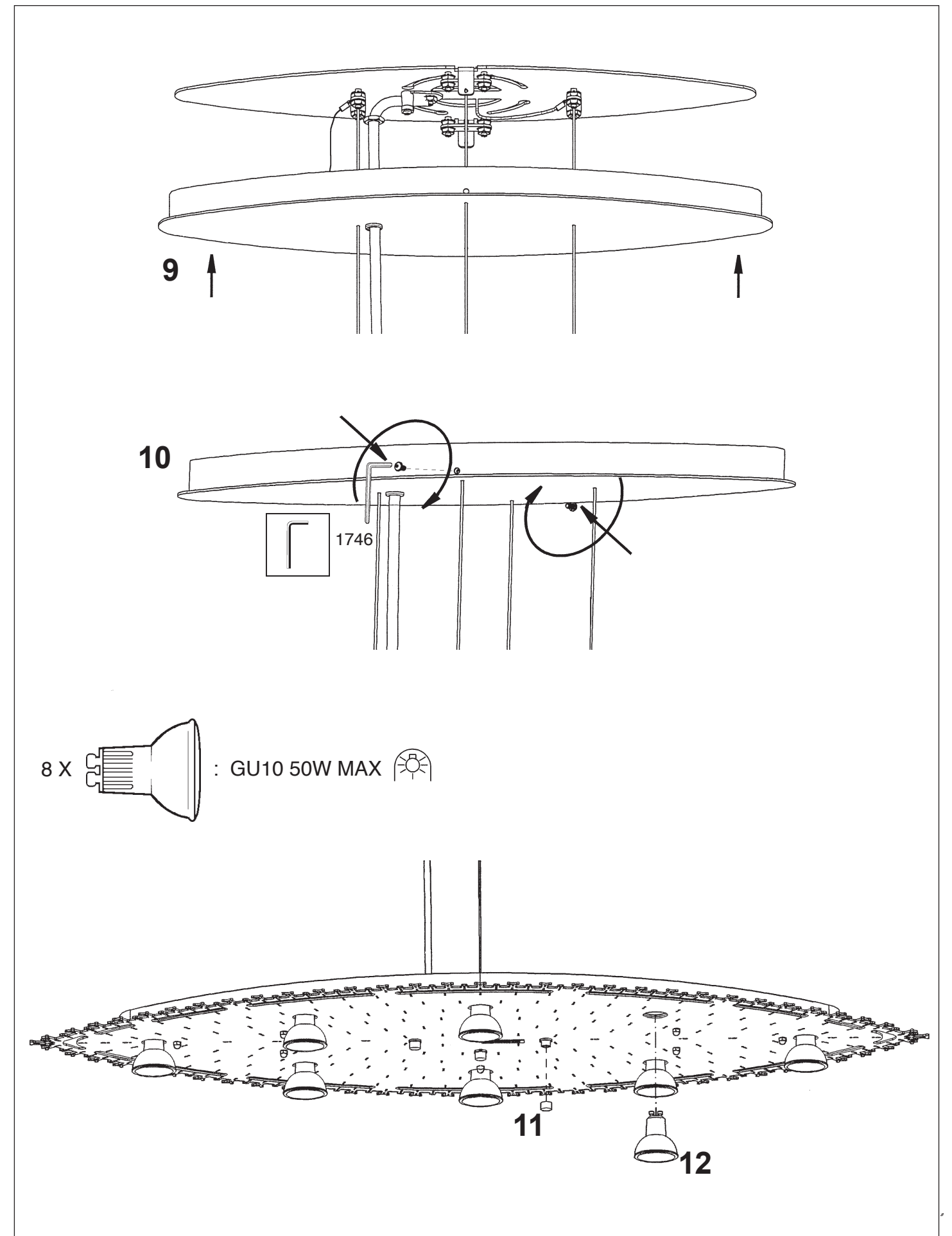
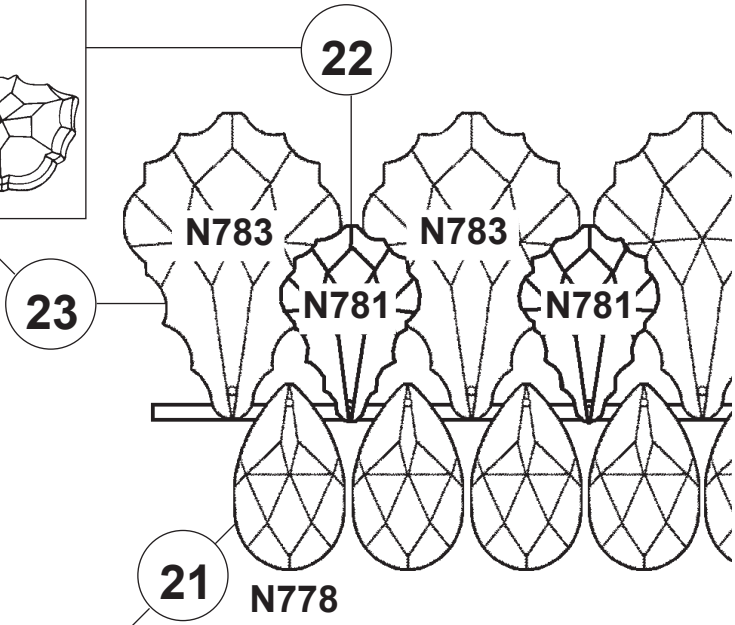
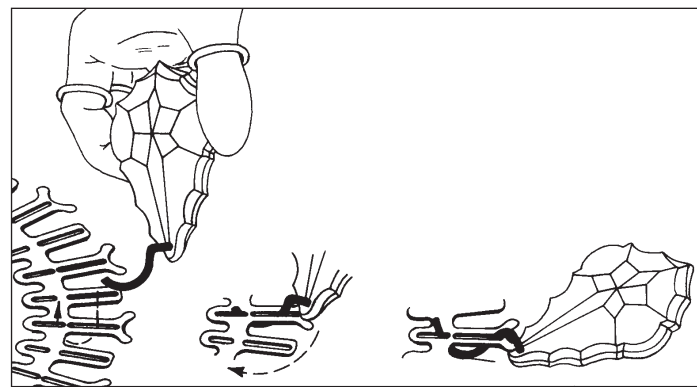
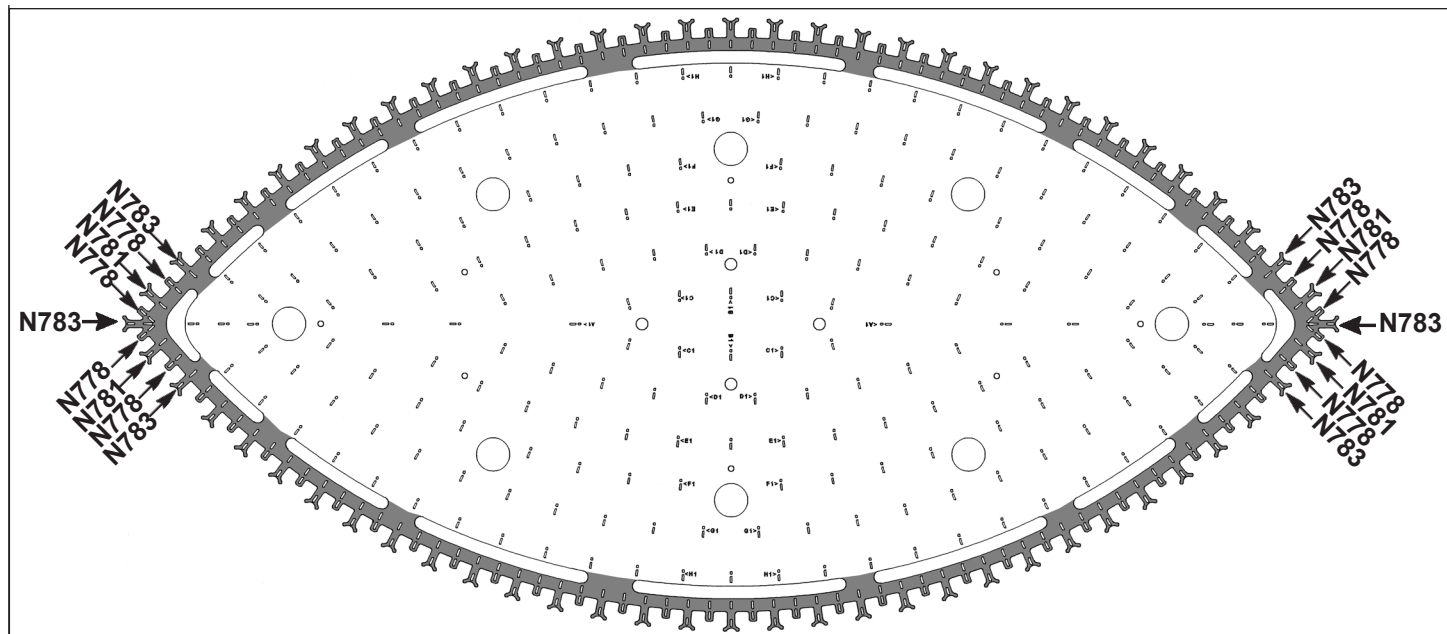


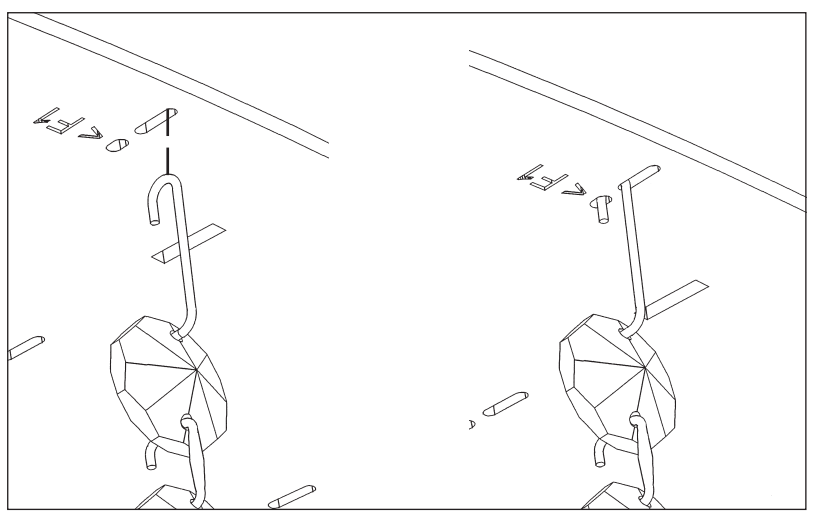
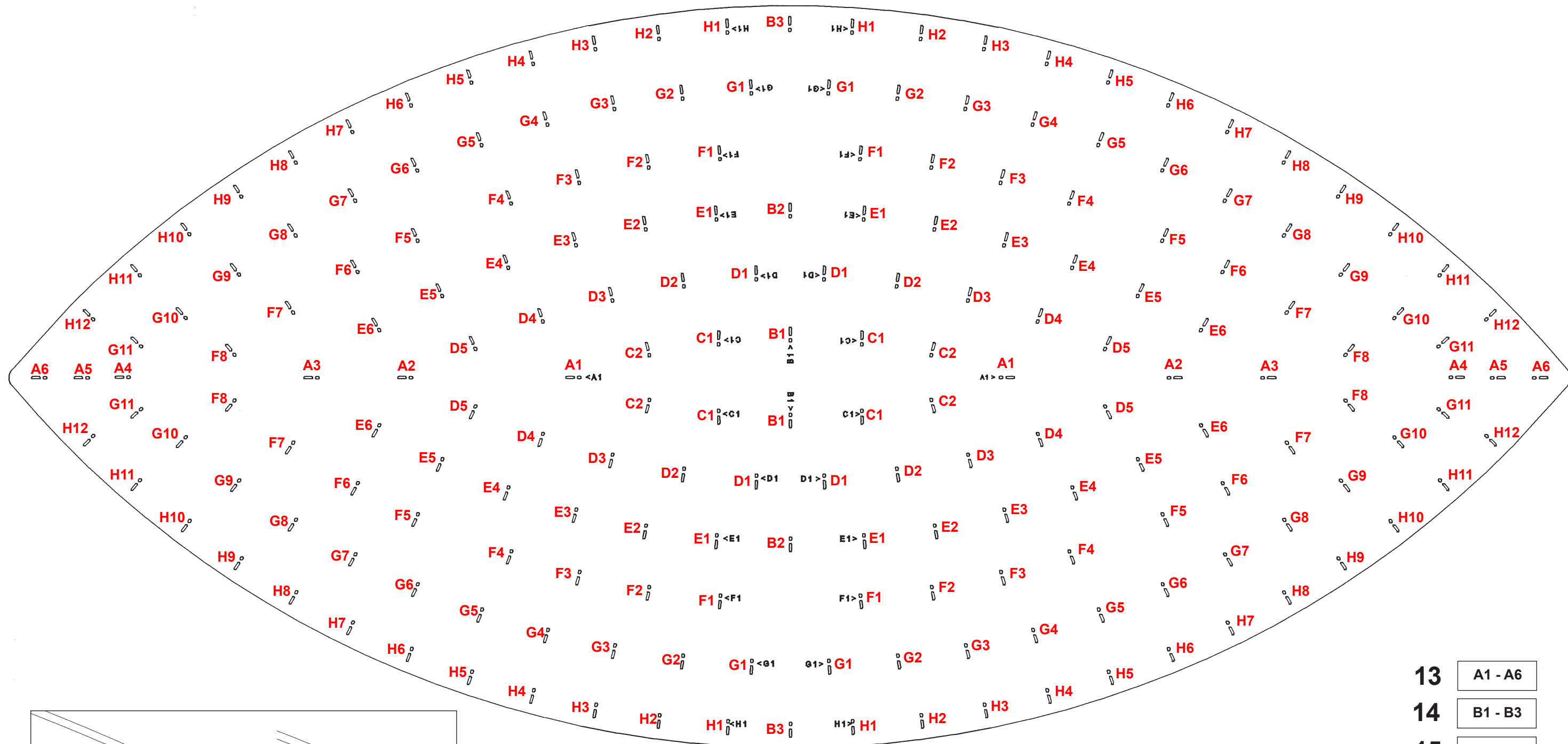


1 X  : 1746









After hanging all trim, remove labels from crystals. If residue remains, wipe off crystal with a soft, dry cloth.

- 13 A1 - A6
- 14 B1 - B3
- 15 C1 - C2
- 16 D1 - D5
- 17 E1 - E6
- 18 F1 - F8
- 19 G1 - G11
- 20 H1 - H12