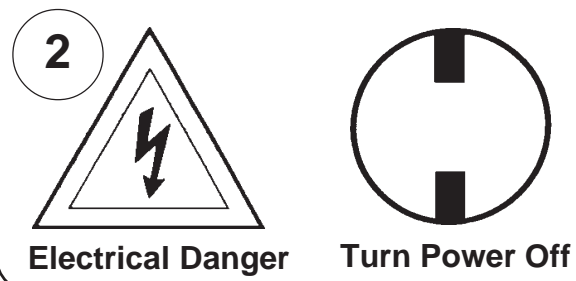


## Instructions for electrician

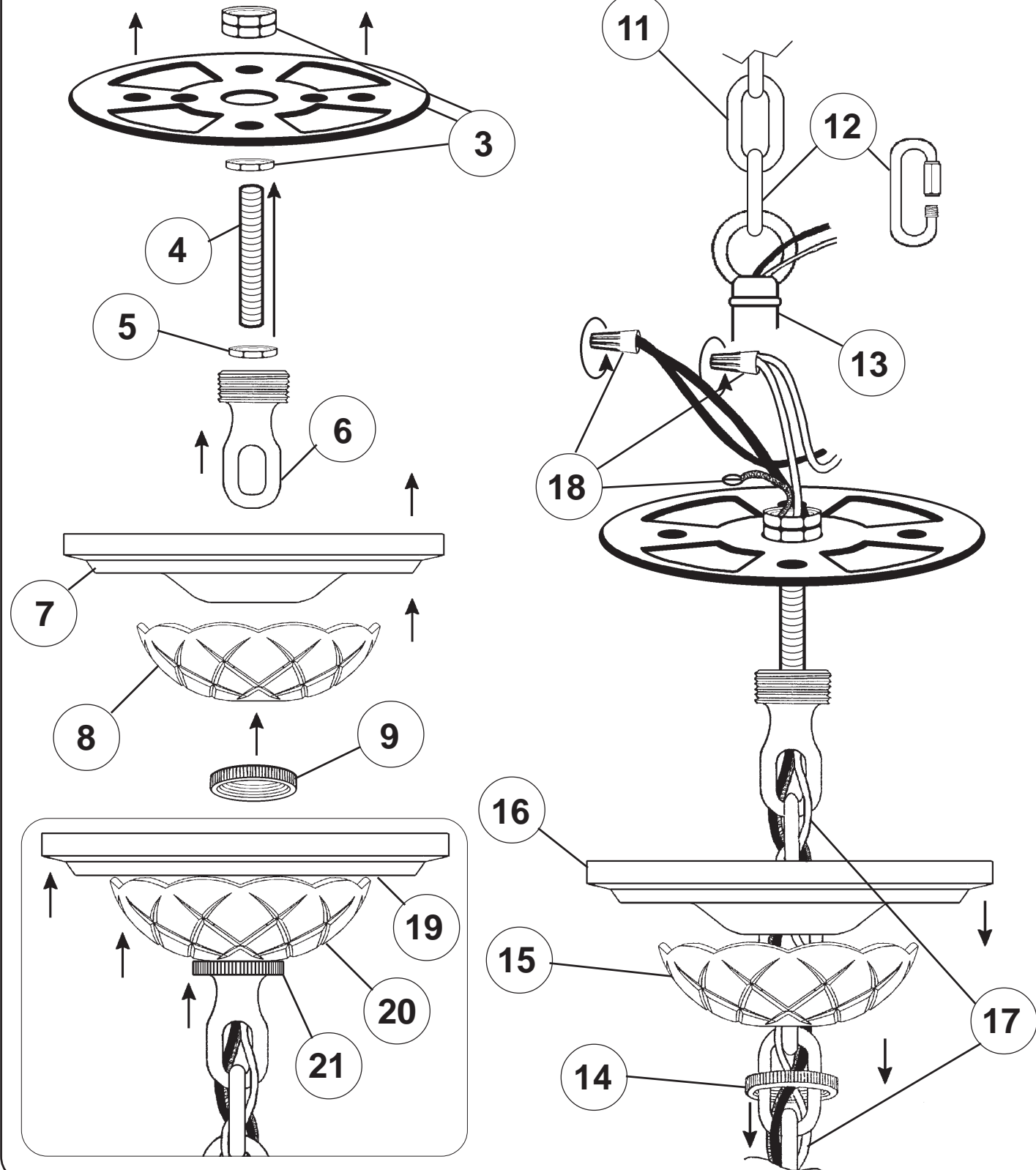
### STEPS 2 - 21

**WARNING:** THIS LUMINAIRE MUST BE MOUNTED OR SUPPORTED INDEPENDENTLY OF AN OUTLET BOX.

**WARNING:**

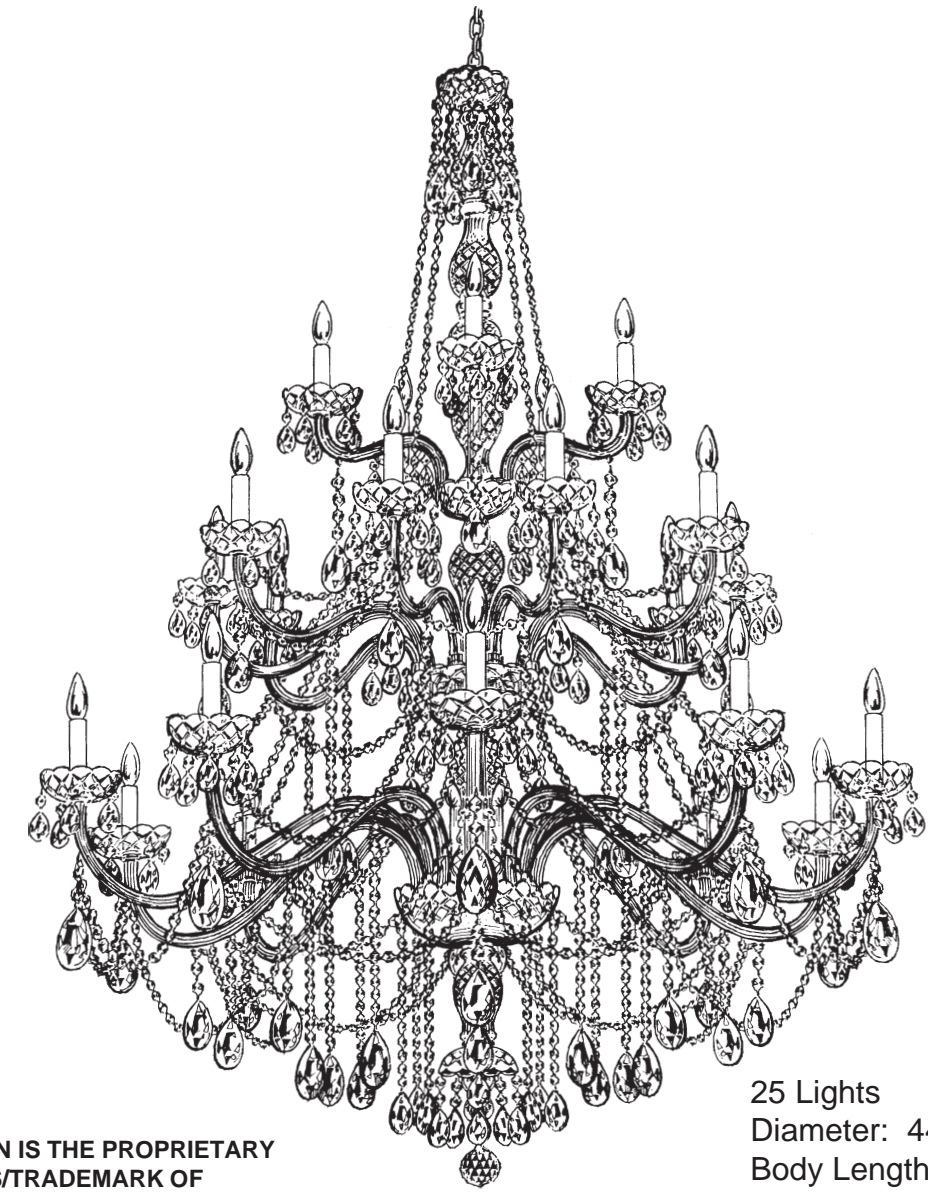


All electrical components must be installed by a licensed electrician in accordance with the National Electric Code and the appropriate local electrical codes.



# CHANDELIER 1310-\_\_\_\_H TRIM DIAGRAM

(Finish Option)



25 Lights  
Diameter: 44-1/2"  
Body Length: 64"  
Hanging Weight: 55 pounds

**T** HIS DESIGN IS THE PROPRIETARY TRADE DRESS/TRADemark OF SCHONBEK WORLDWIDE LIGHTING INC.

# SCHONBEK®

See diagram on back page  
Follow steps in exact order  
Save this trim diagram for future reference

**1**

**IMPORTANT**

Person who opens carton should record the following information for future service.

CODE # \_\_\_\_\_ Four-digit number on outside of carton.  
PACKER # \_\_\_\_\_ See crystal package label.  
ORDER # \_\_\_\_\_ See crystal package label.

SCHONBEK IS A WORLD LEADER IN CHANDELIER DESIGN. PATENTS INCLUDE:  
#D5,460,269 & D5,873,652

