



**SCHONBEK®**

**CHANTANT**  
**CH2412N- \_\_ \_\_ H**



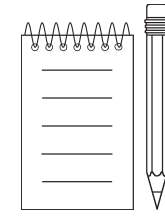
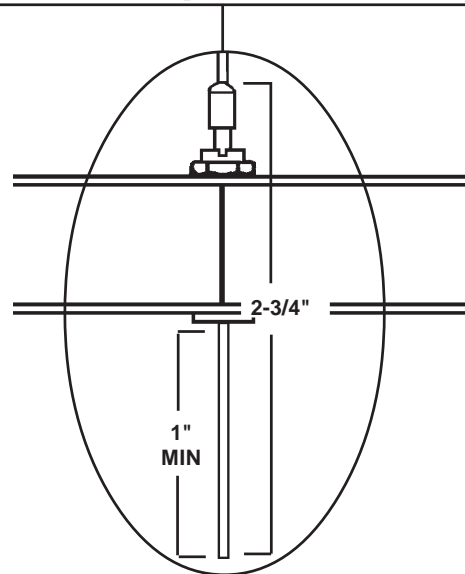
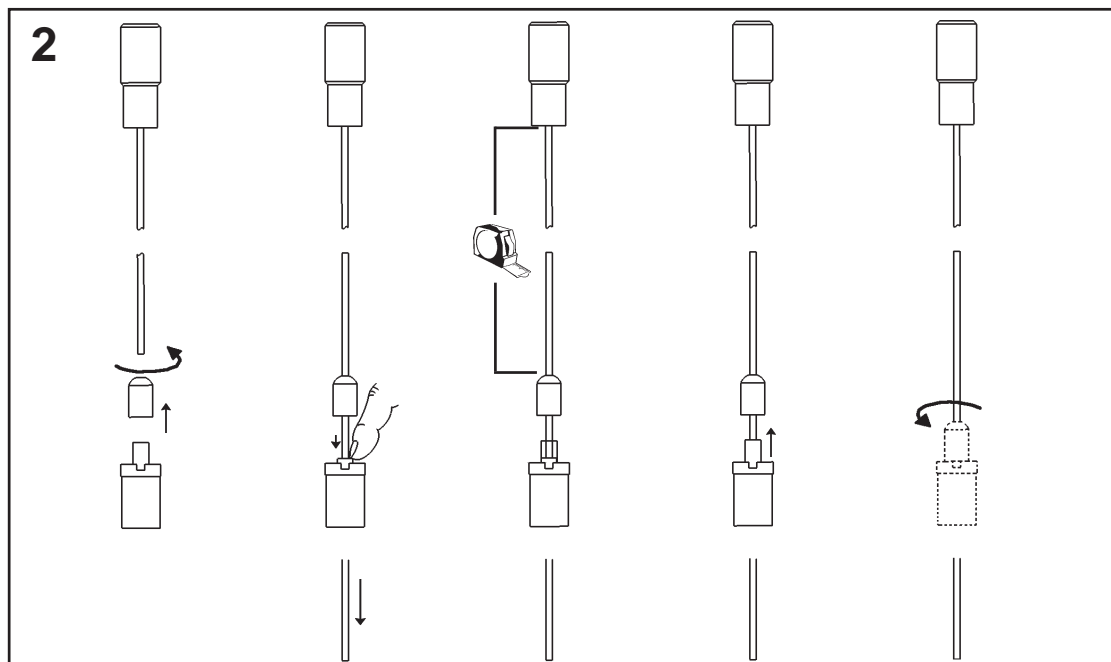
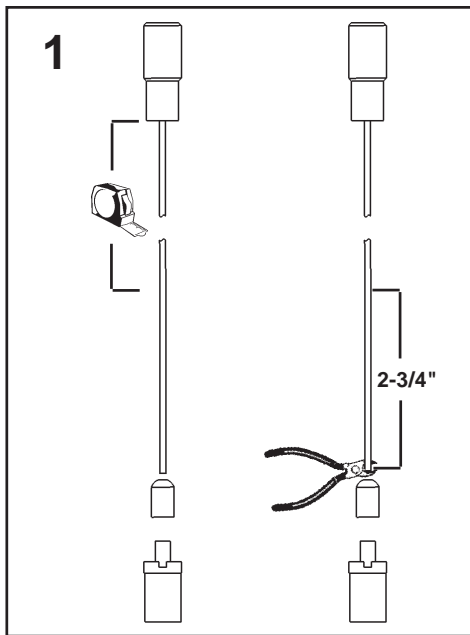
**T**HIS DESIGN IS THE PROPRIETARY  
TRADE DRESS/TRADE MARK OF  
SWAROVSKI LIGHTING, LTD.

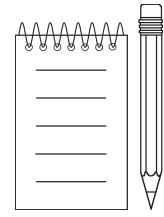
6 Lights  
Diameter: 24"  
Height: 28"  
Hanging Weight: 34lbs.



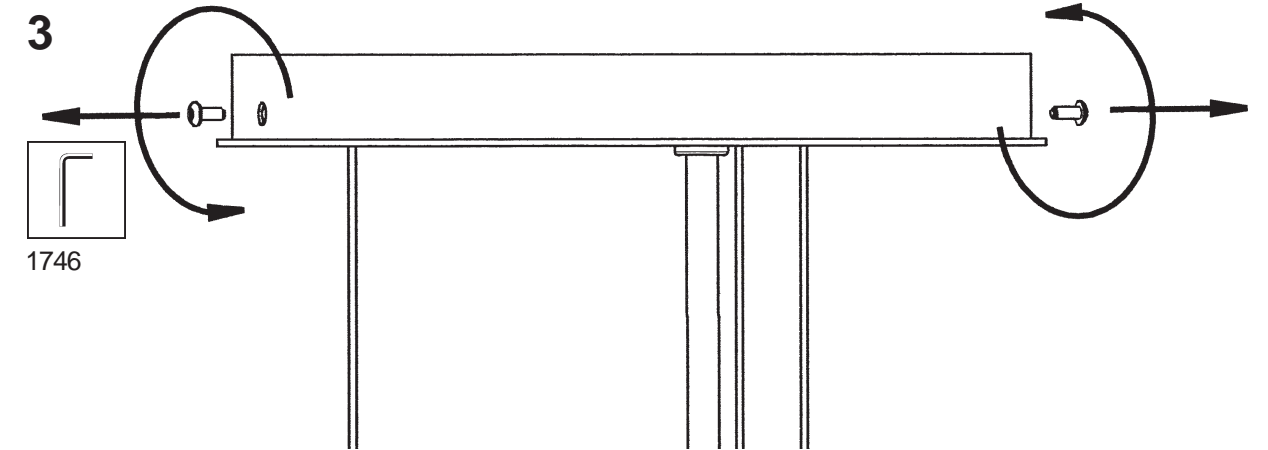
**SCHONBEK®**

MAX <u>50</u> W		110-120 V						



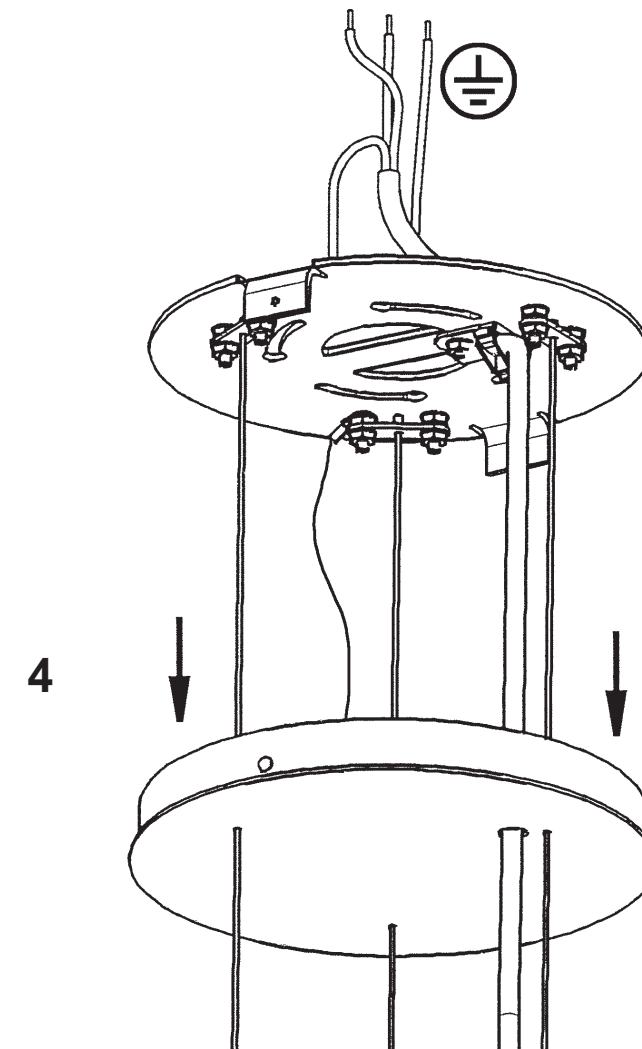


1X  : 1746

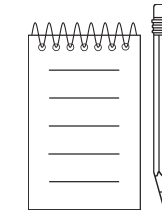
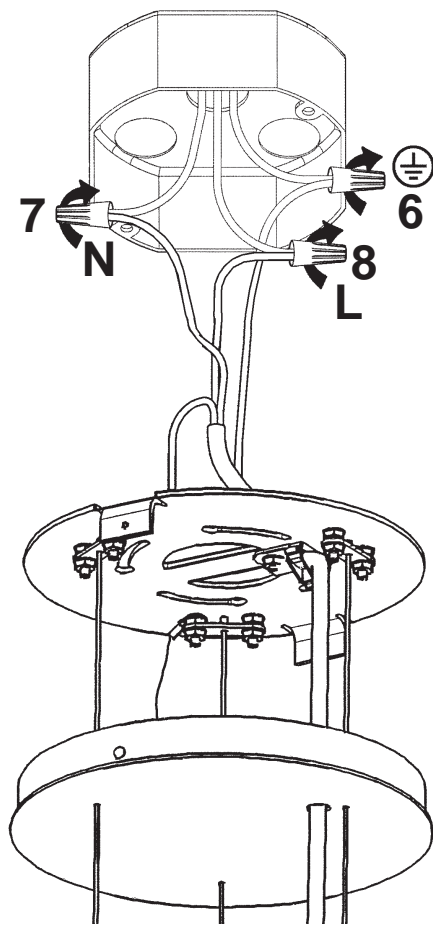
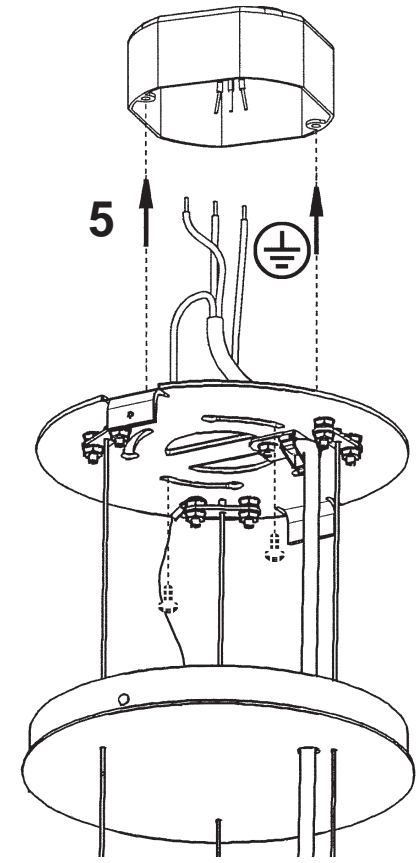


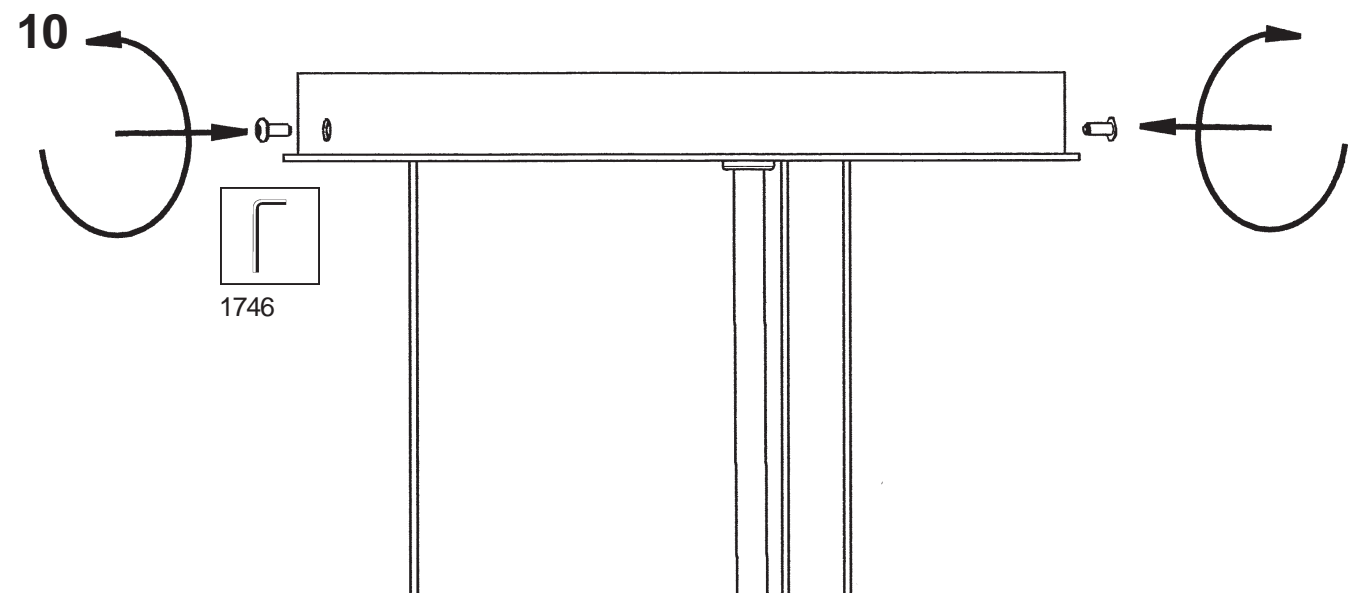
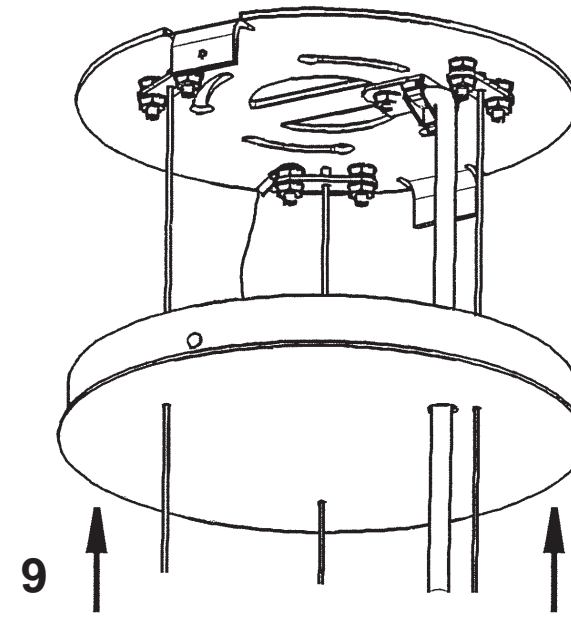
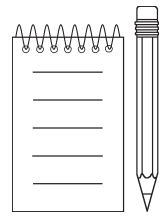
  
1746

3

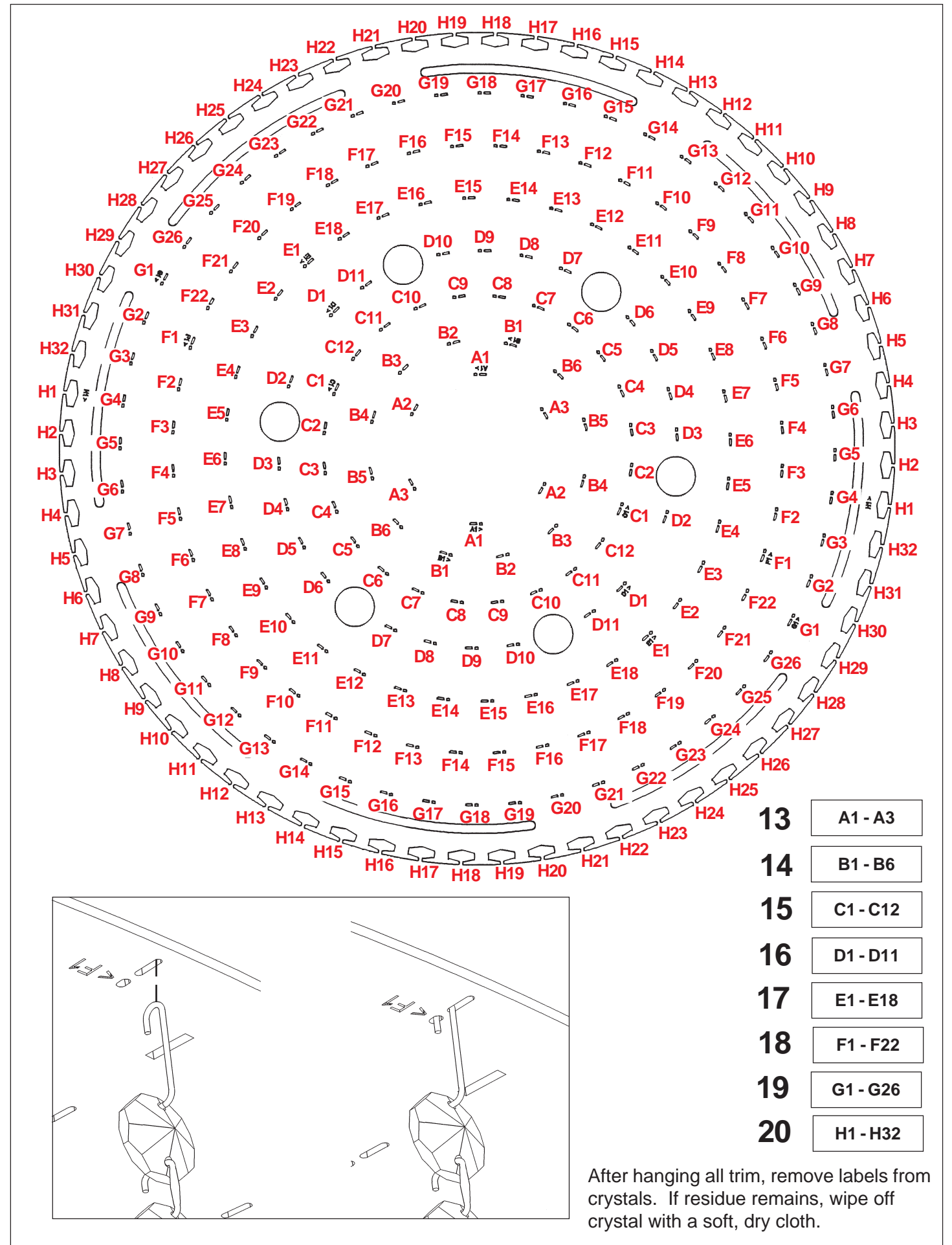
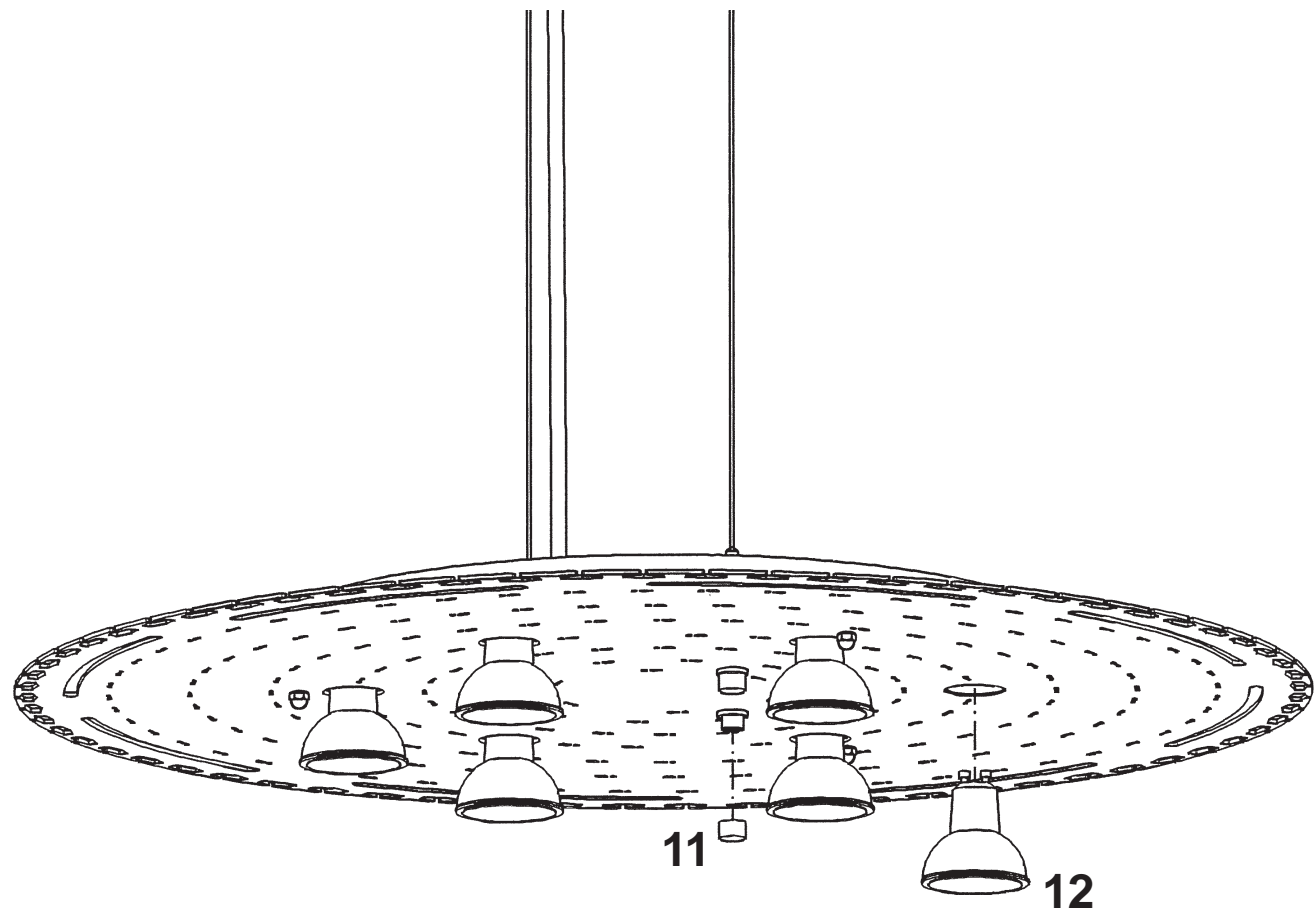


4

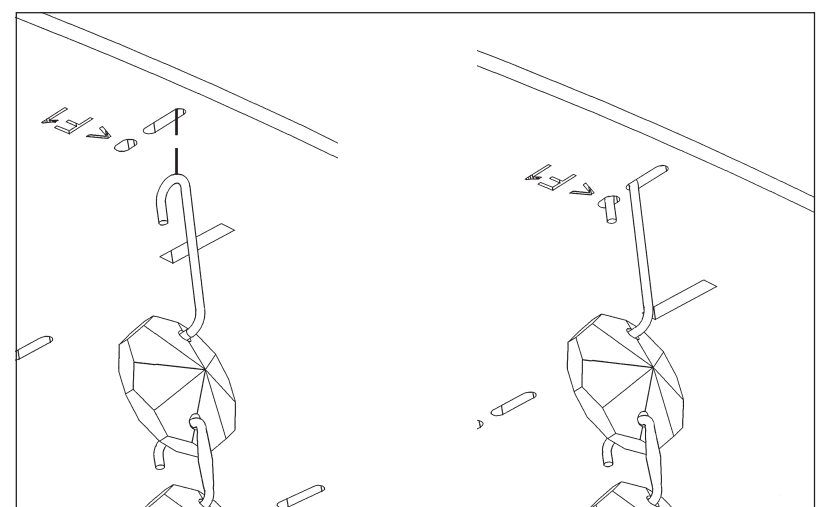




6 X  : GU10 50W MAX 



- 13** A1 - A3
- 14** B1 - B6
- 15** C1 - C12
- 16** D1 - D11
- 17** E1 - E18
- 18** F1 - F22
- 19** G1 - G26
- 20** H1 - H32



After hanging all trim, remove labels from crystals. If residue remains, wipe off crystal with a soft, dry cloth.