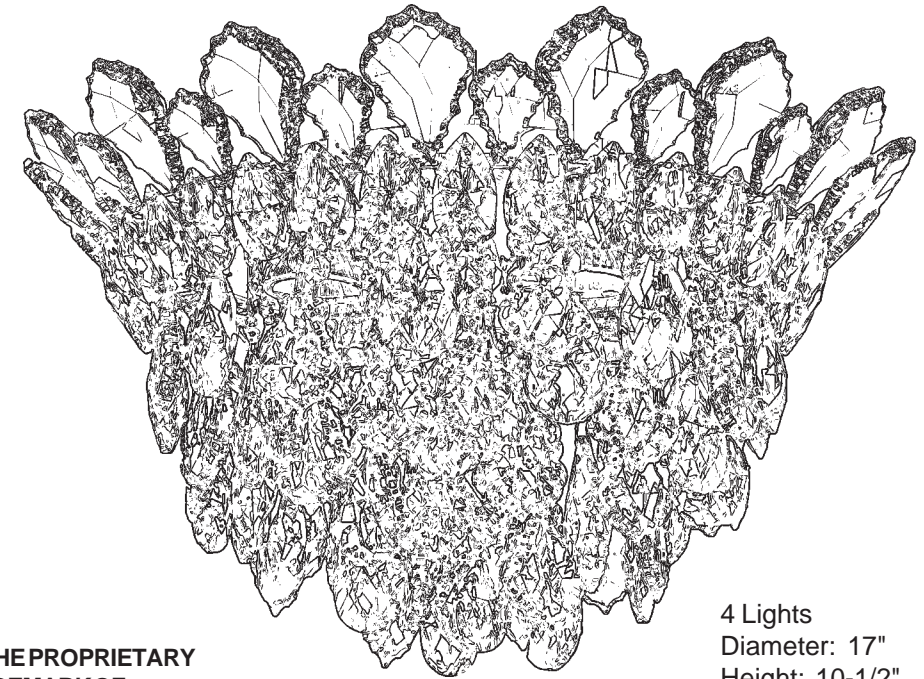




SCHONBEK®

**TRILLIANE STRANDS
TR1201N- __ _ H**



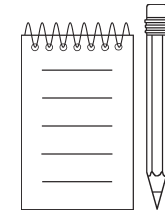
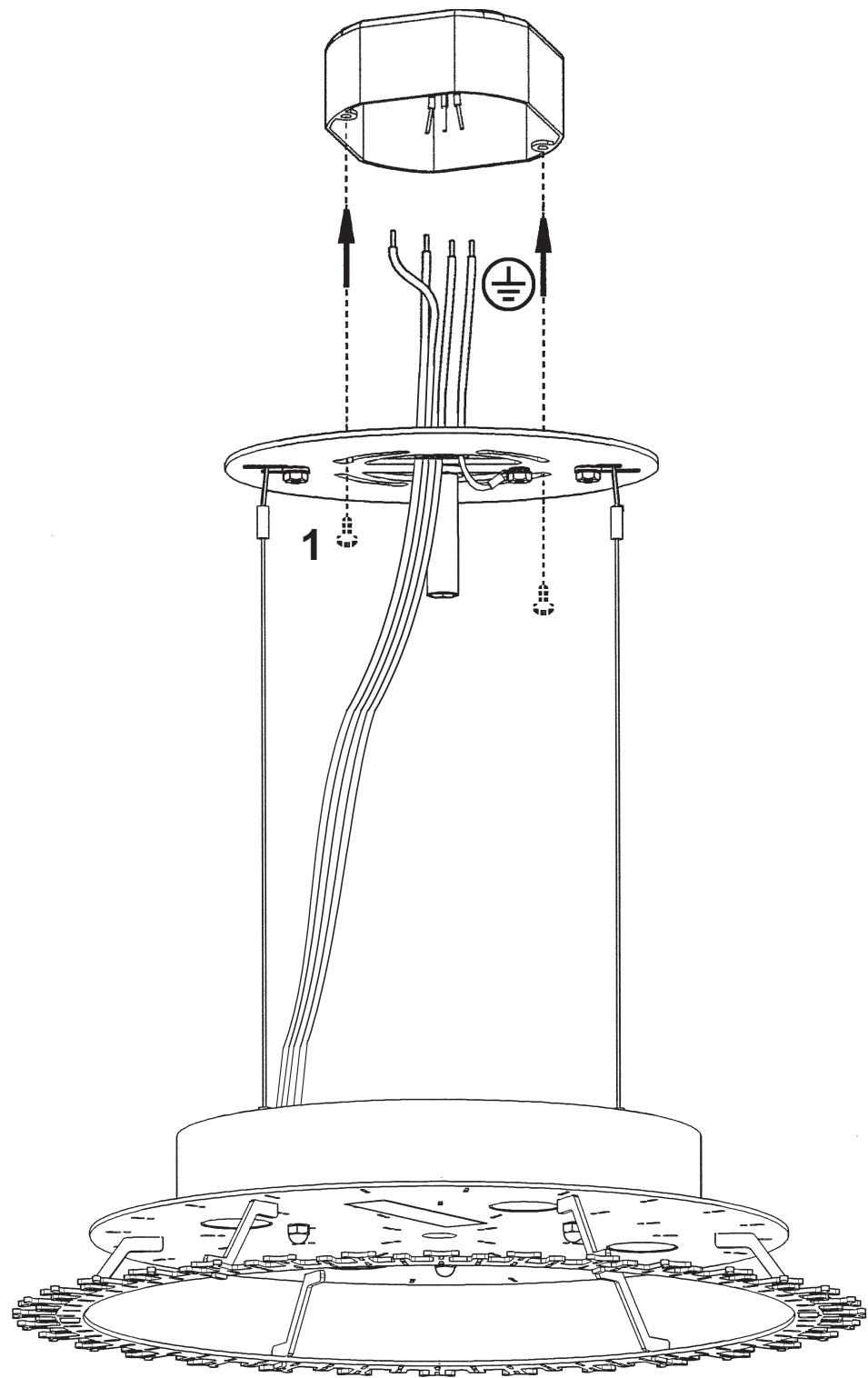
THIS DESIGN IS THE PROPRIETARY
TRADE DRESS/TRADE MARK OF
SWAROVSKI LIGHTING, LTD.

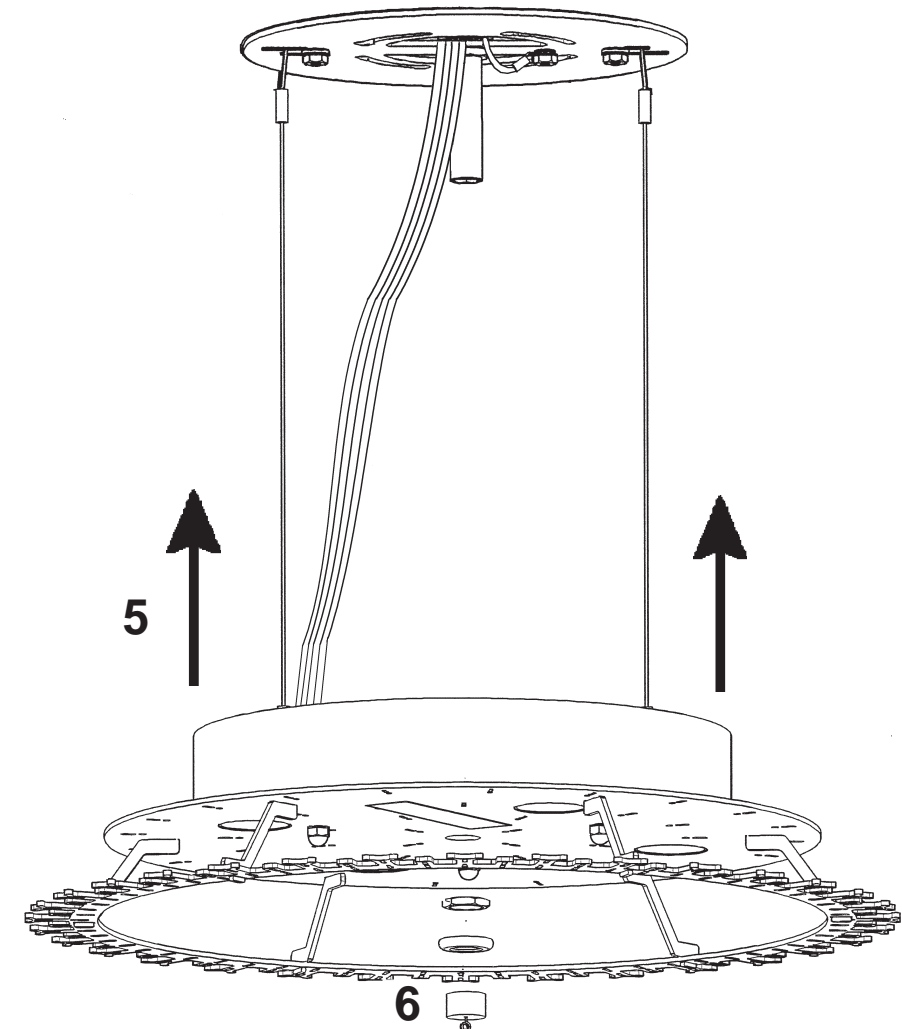
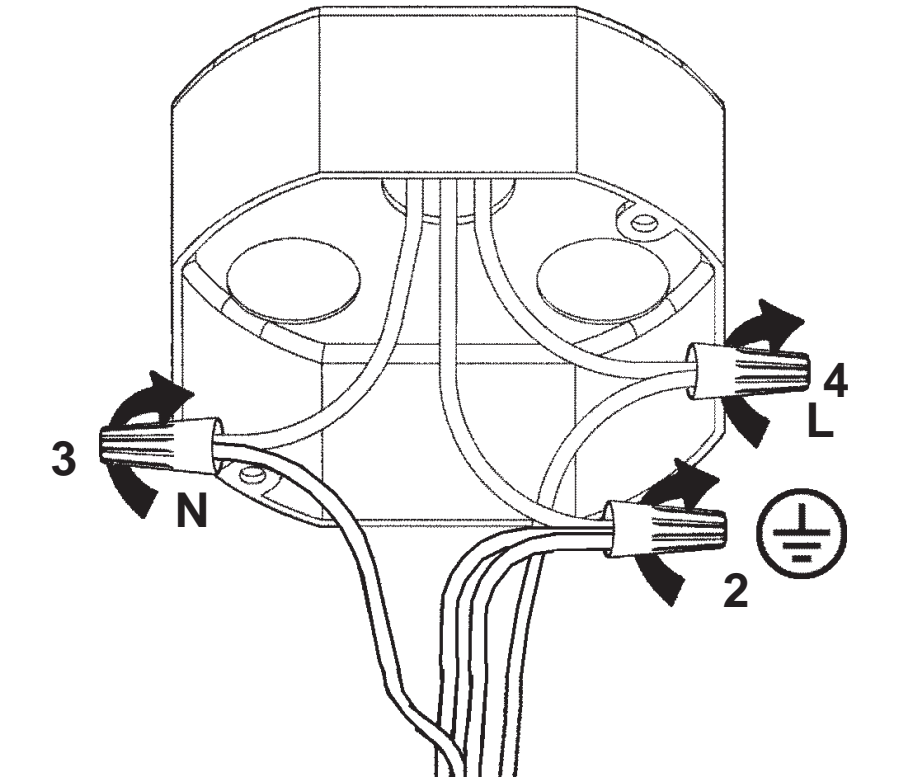
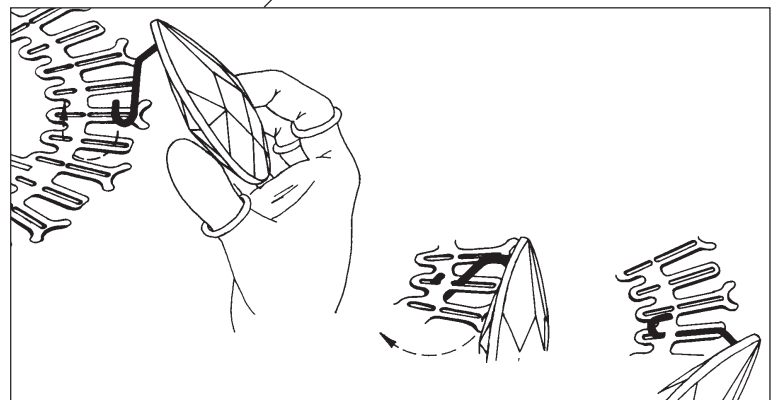
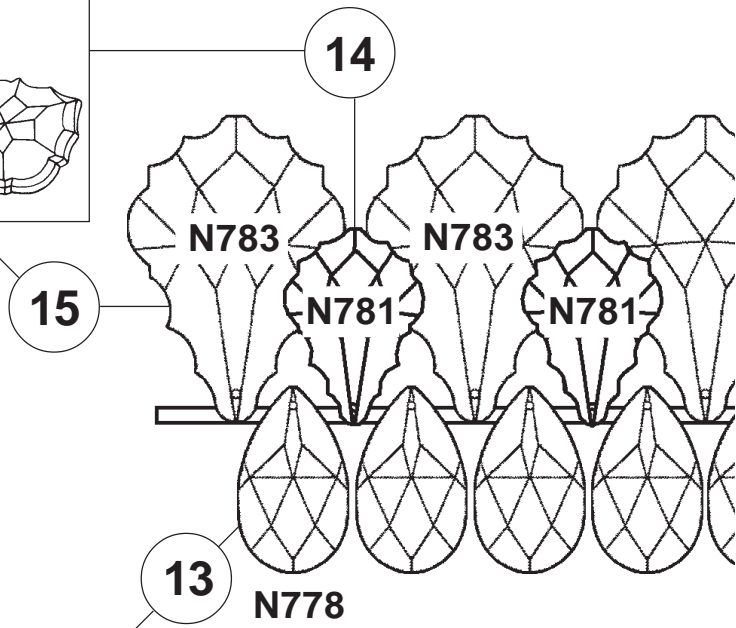
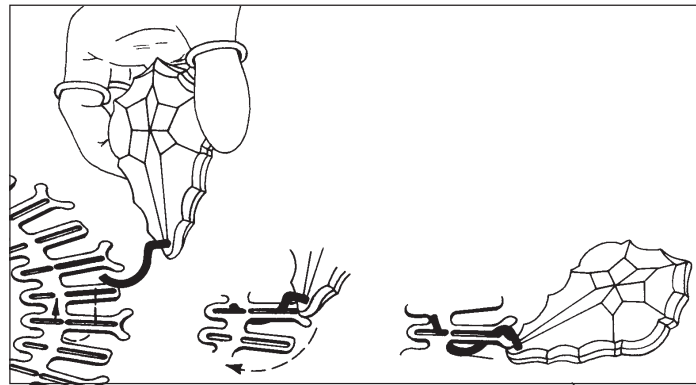
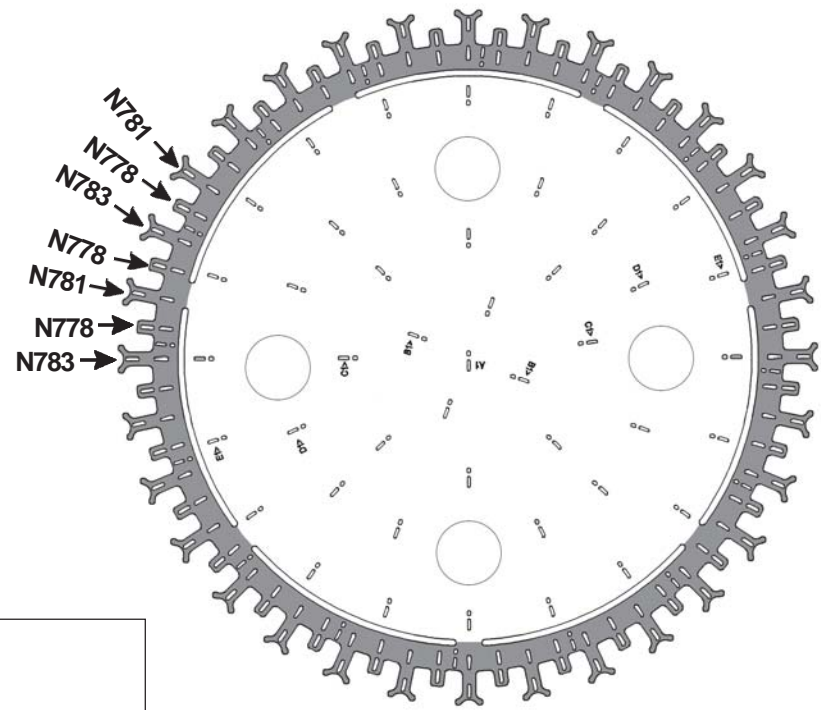
4 Lights
Diameter: 17"
Height: 10-1/2"
Hanging Weight: 16lbs.

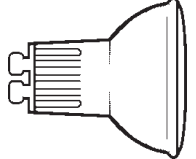



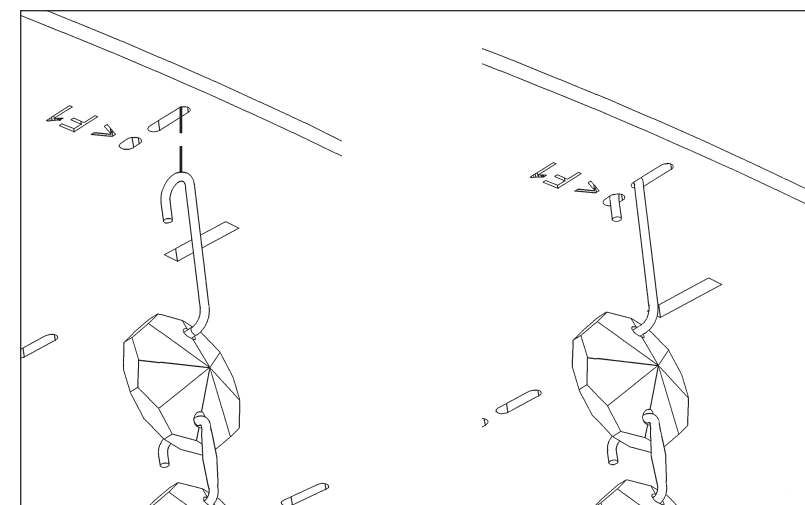
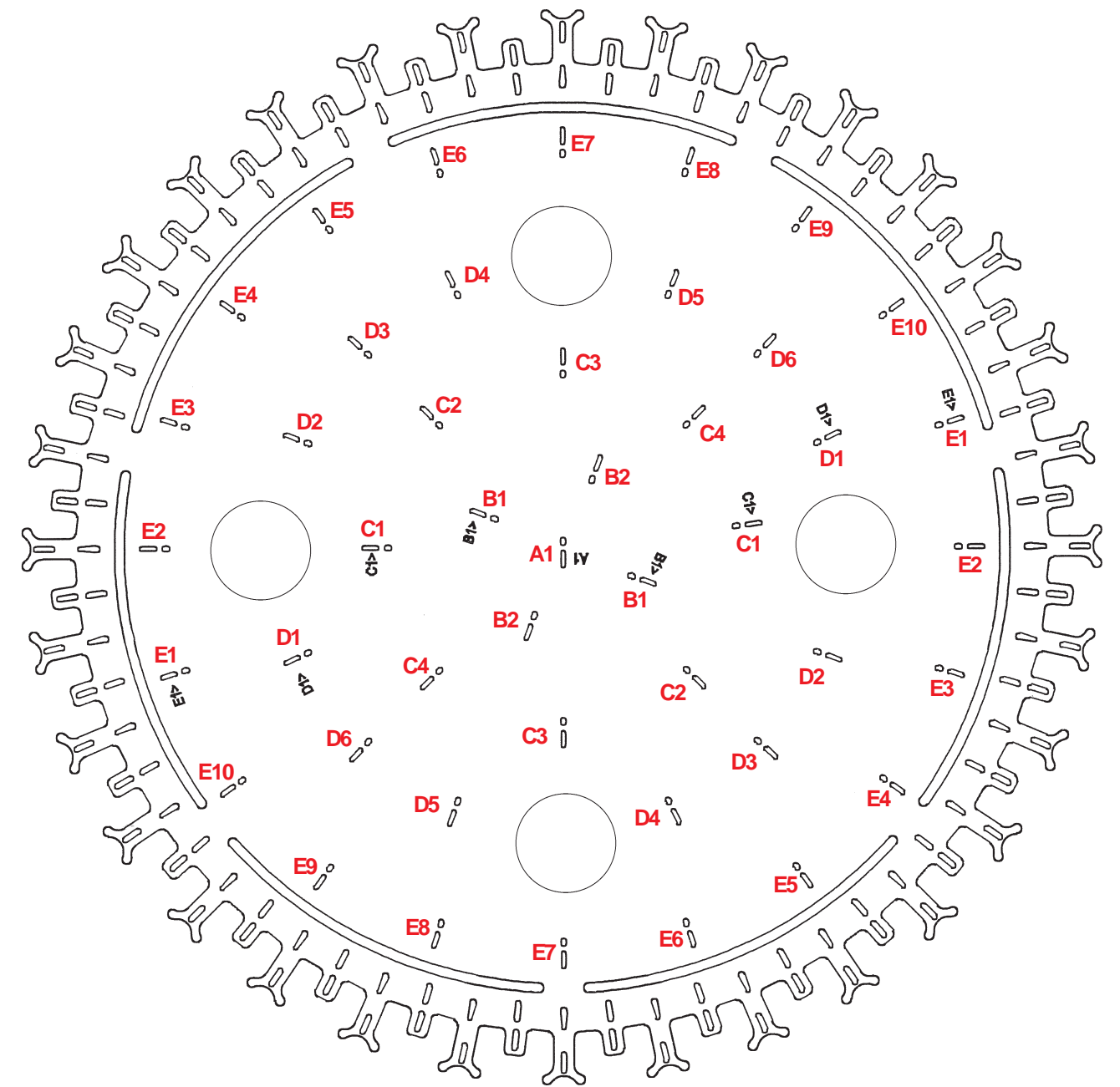
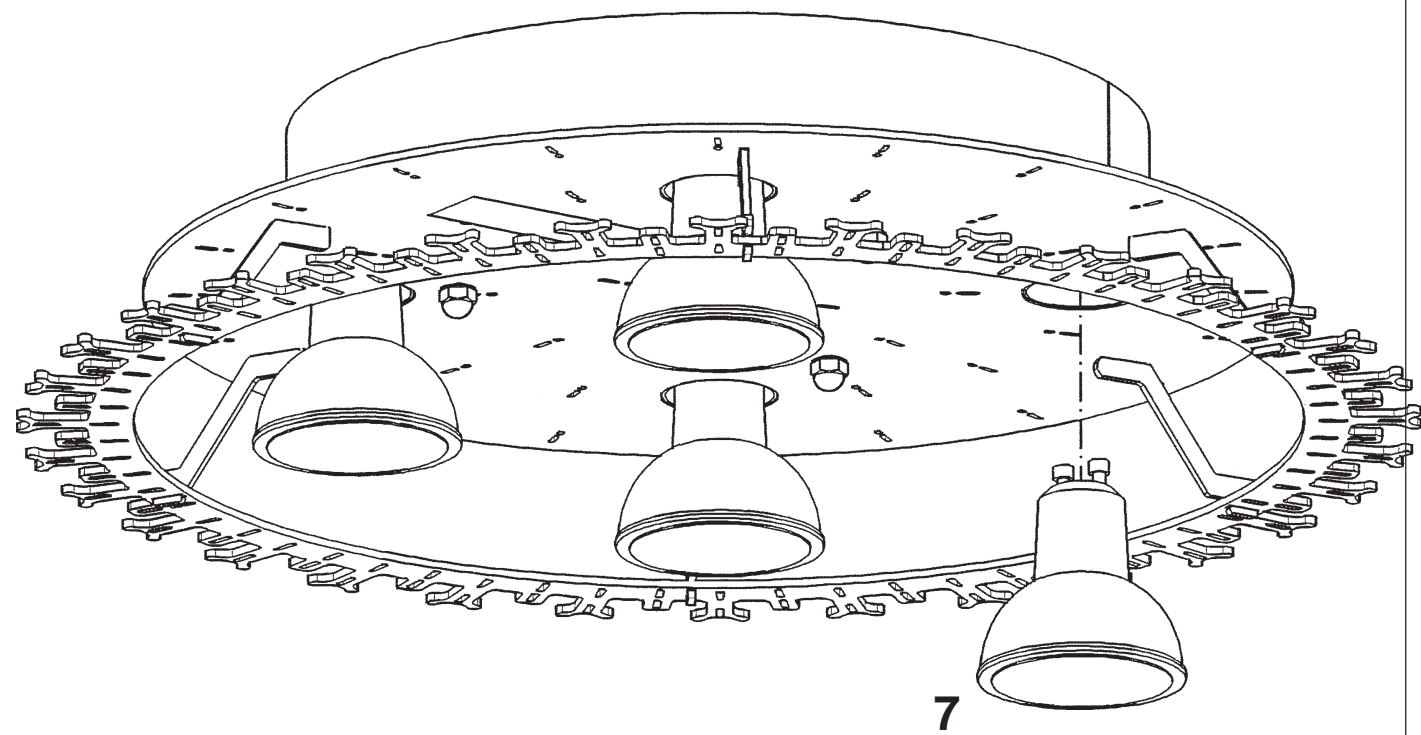
SCHONBEK®

MAX 35 W		110-120 V						





4 X  : GU10 35W MAX 



- 8** A1
- 9** B1 - B2
- 10** C1 - C4
- 11** D1 - D6
- 12** E1 - E10

After hanging all trim, remove labels from crystals. If residue remains, wipe off crystal with a soft, dry cloth.