


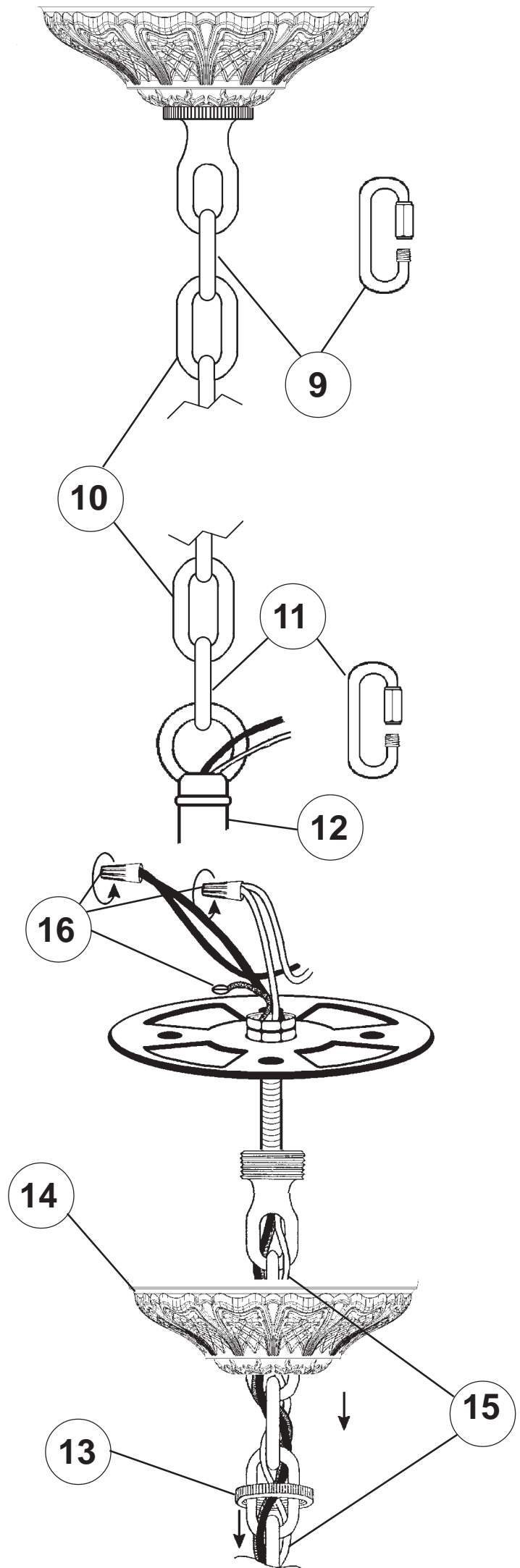
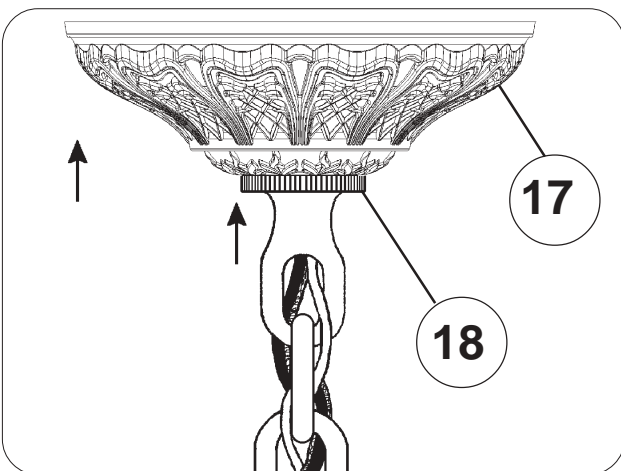
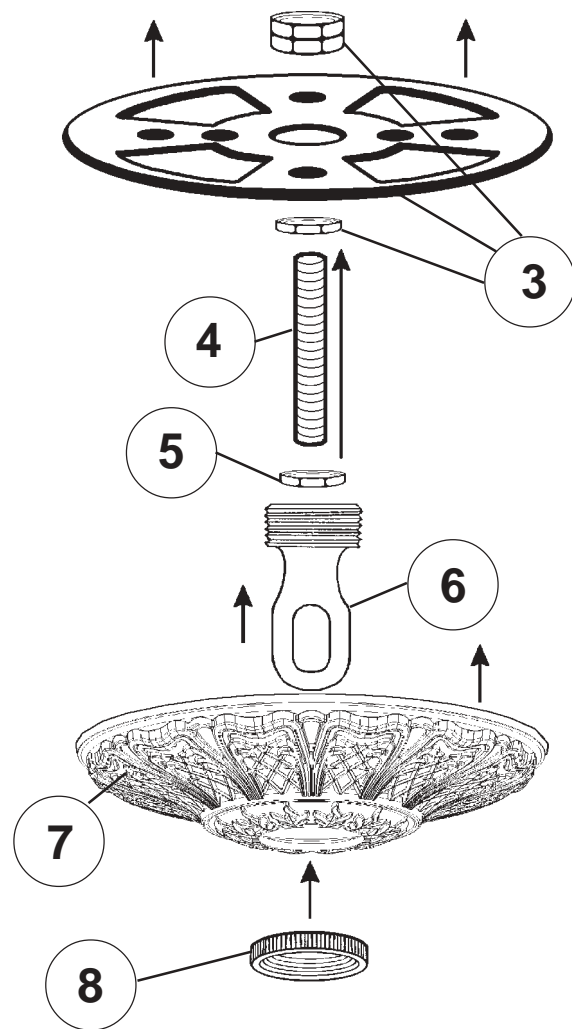
Instructions for electrician
STEPS 2 - 18

WARNING:



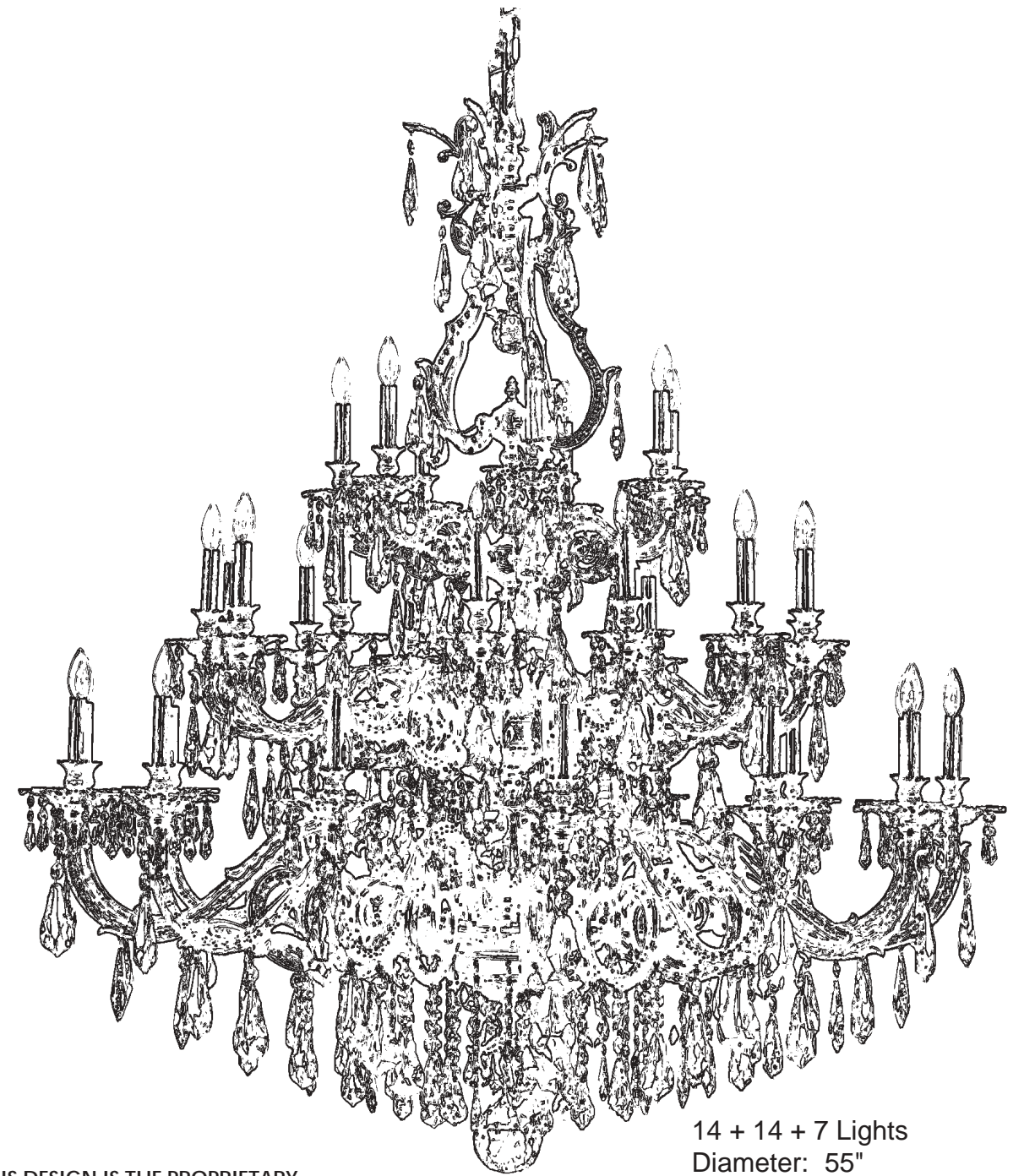
2 Electrical Danger Turn Power Off

All electrical components must be installed by a licensed electrician in accordance with the National Electric Code and the appropriate local electrical codes.



CHANDELIER 6967- _____ TRIM DIAGRAM

(Finish Option) (Trim Option)



14 + 14 + 7 Lights
Diameter: 55"
Body Length: 62"
Hanging Weight: 180 lbs.

THIS DESIGN IS THE PROPRIETARY TRADE DRESS/TRADEMARK OF SCHONBEK WORLDWIDE LIGHTING INC.

SCHONBEK®

See diagram on back page
Follow steps in exact order
Save this trim diagram for future reference

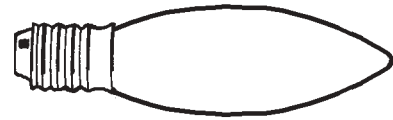
1 IMPORTANT
Person who opens carton should record the following information for future service.

CODE # _____ Four-digit number on outside of carton.
PACKER # _____ See crystal package label.
ORDER # _____ See crystal package label.



Instructions for crystal trimming

STEPS 19 - 47



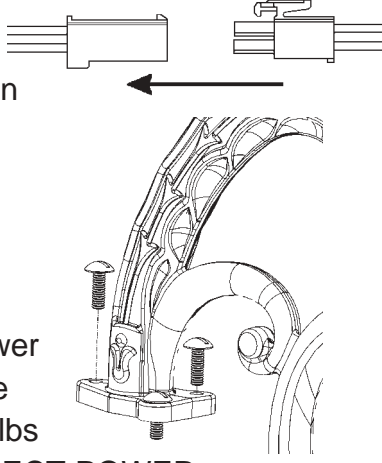
You will need 35 - C10
25 Watts Recommended
60 Watts Max

20

Install bulbs and be sure to test fixture BEFORE trimming.

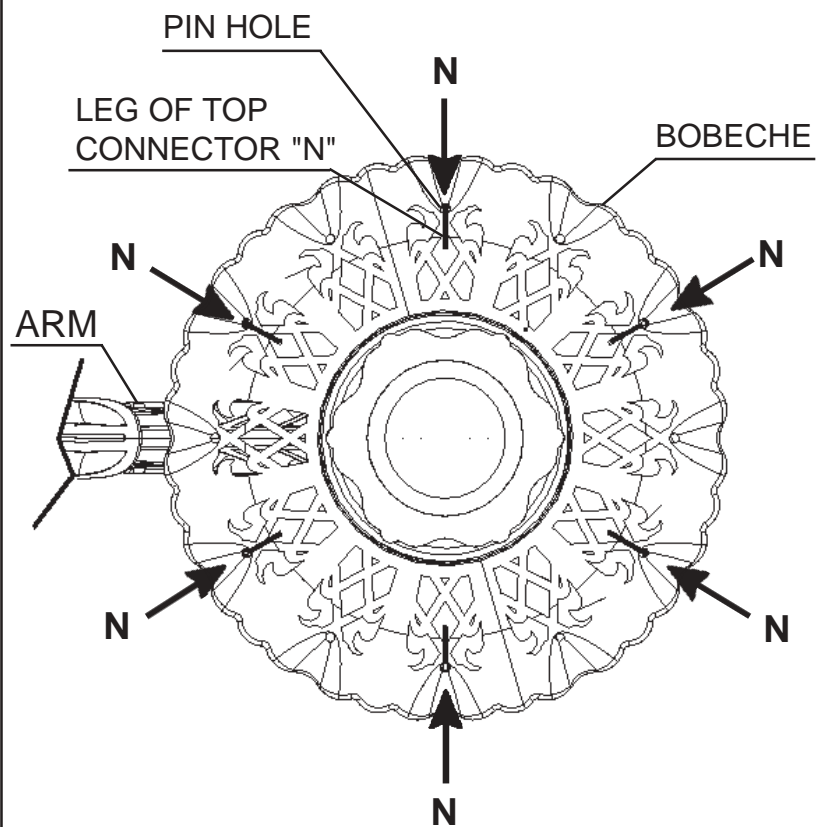
19

Connect arm wires to the center column using plug-in connectors. Screw in three screws per arm. See detailed illustration.

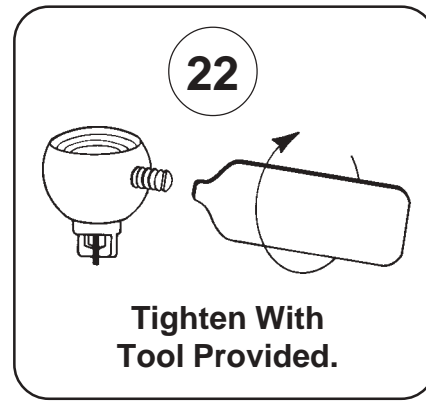


Install bulbs, connect power and test the fixture before trimming. If any of the bulbs do NOT light - DISCONNECT POWER. Double check the wire connections.

DIAGRAM #1



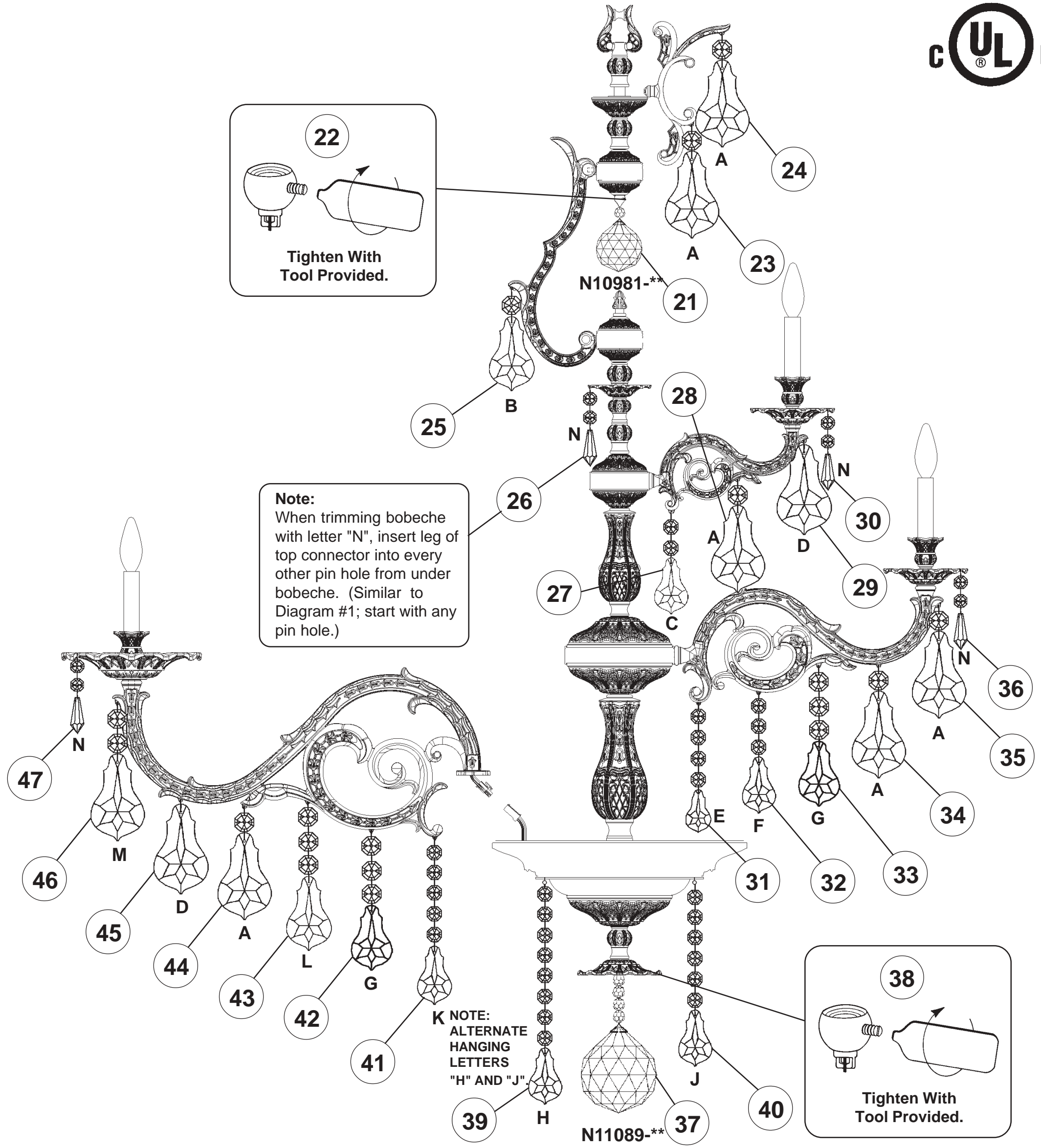
When trimming arm bobèche with letter "N", insert leg of top connector into pin hole from under bobèche. Hang in every other pin hole starting on either side of the arm (refer to Diagram #1)



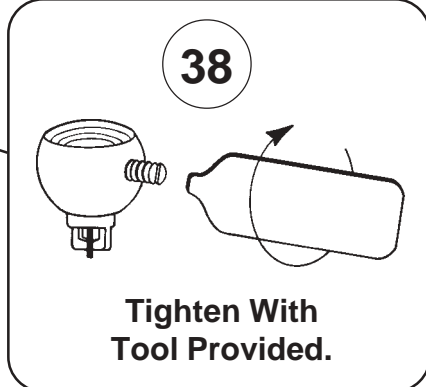
22

Tighten With Tool Provided.

Note:
When trimming bobèche with letter "N", insert leg of top connector into every other pin hole from under bobèche. (Similar to Diagram #1; start with any pin hole.)



K NOTE:
ALTERNATE HANGING LETTERS "H" AND "J"



38

Tighten With Tool Provided.