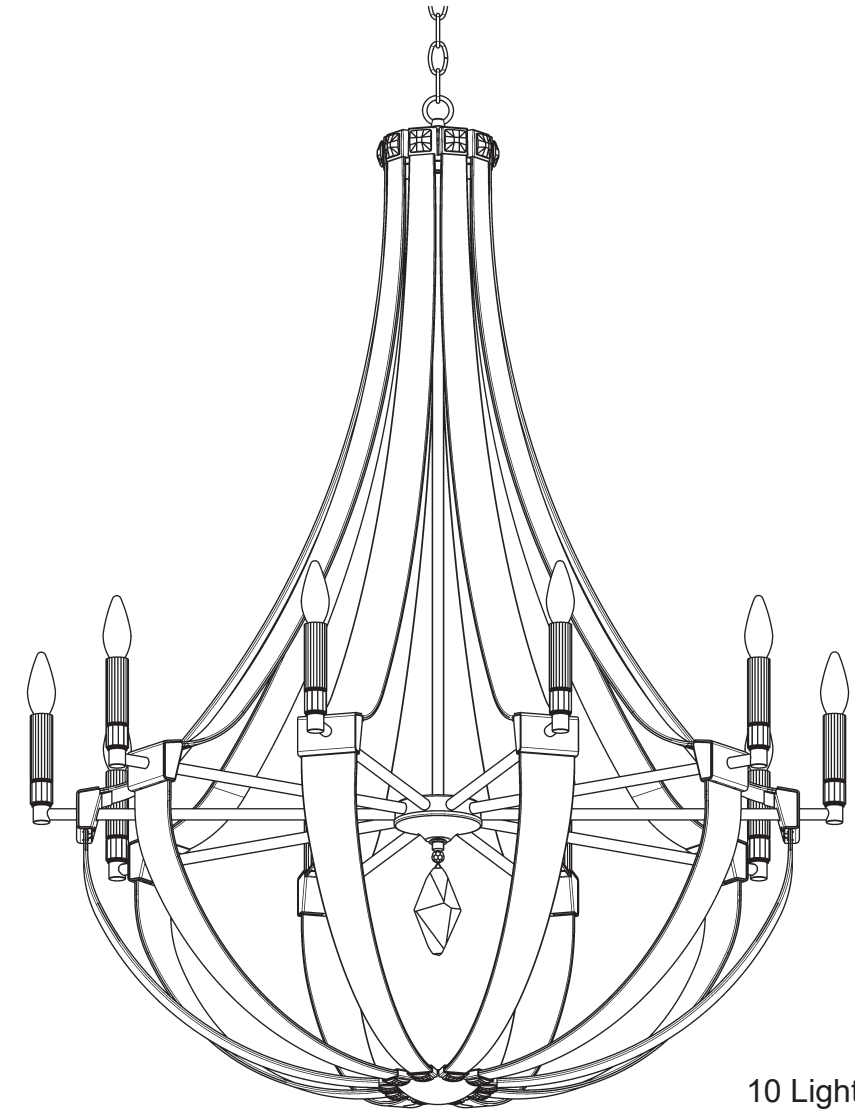


SCHONBEK

1870

CRYSTAL EMPIRE RUSTIC CY1010N-__ __H



THIS DESIGN IS THE PROPRIETARY TRADE DRESS/TRADEMARK OF SWAROVSKI LIGHTING, LTD.

10 Lights
Diameter: 36-1/2"
Height: 46"
Hanging Weight: 34lbs.

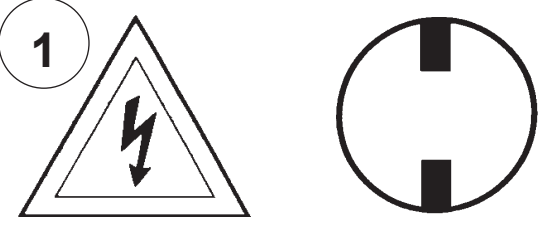
SCHONBEK

1870

MAX 60 W	110-120 V							

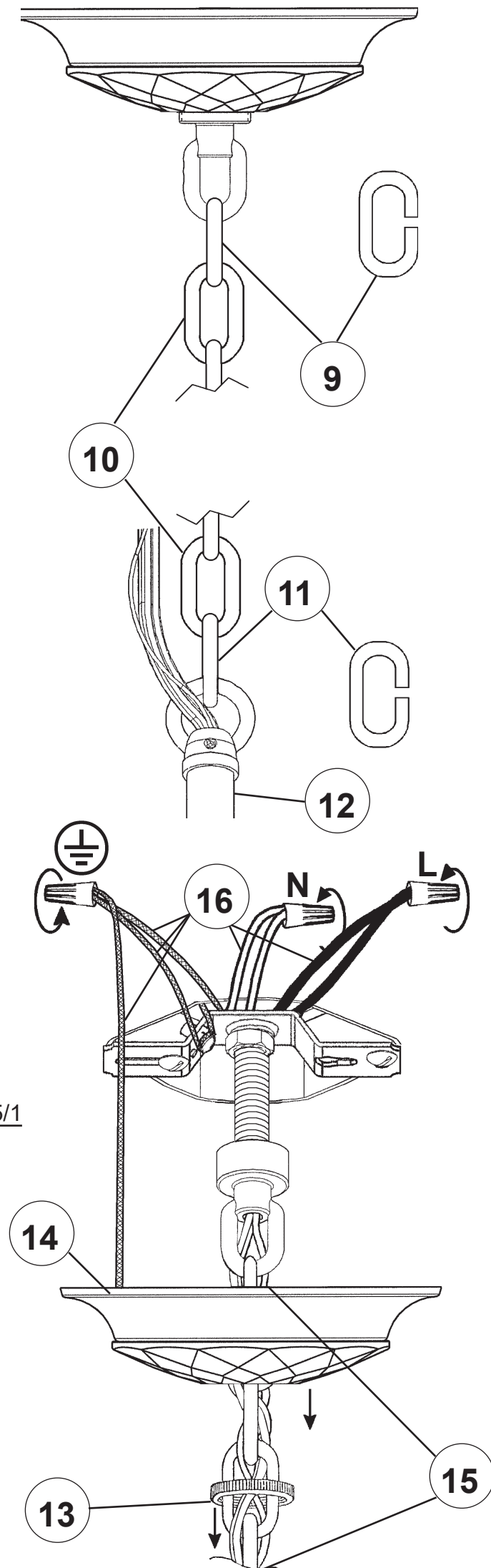
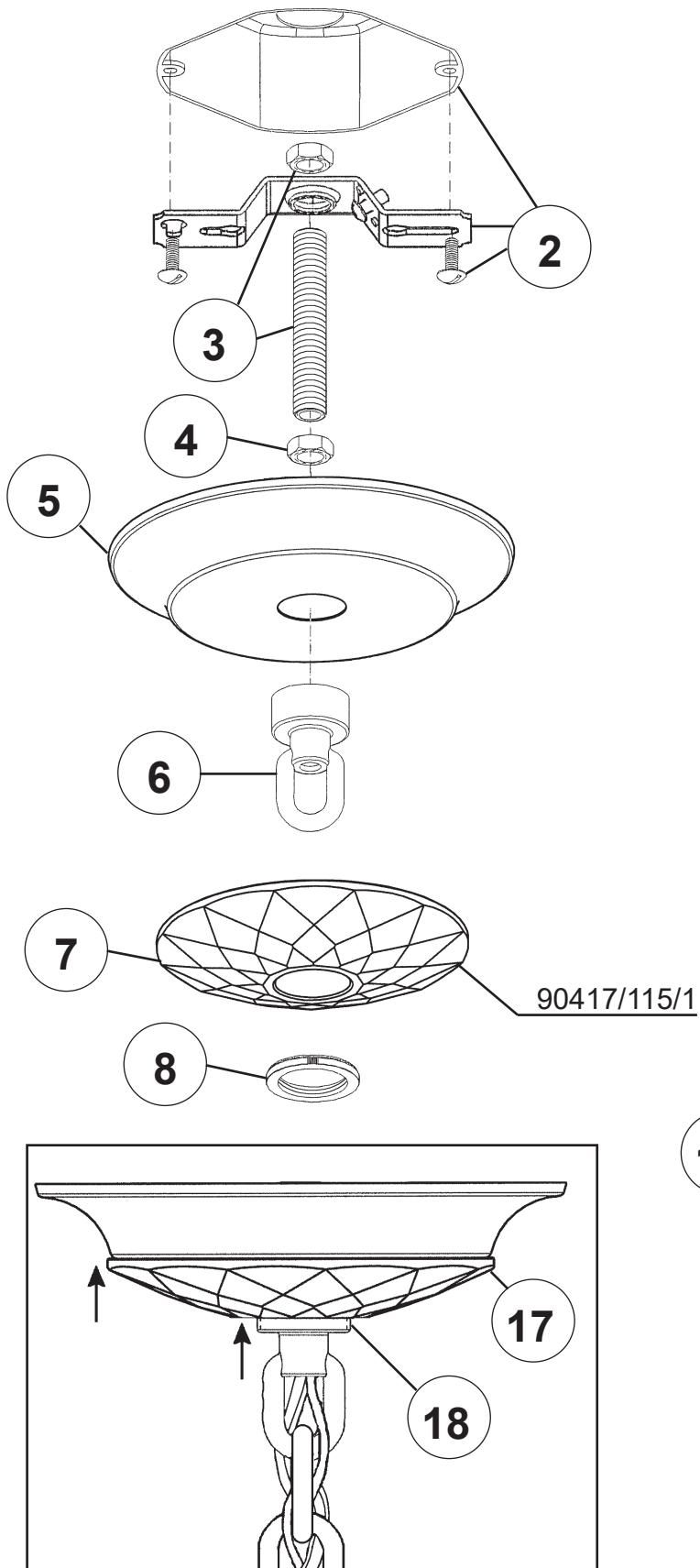
SCHONBEK® is a member of the Swarovski group.

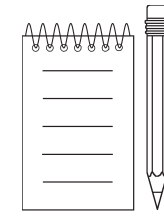
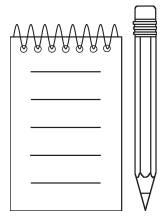
WARNING:

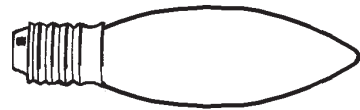
1 

Electrical Danger Turn Power Off

All electrical components must be installed by a licensed electrician in accordance with the National Electric Code and the appropriate local electrical codes.







You will need 10 - B10
25 Watts Recommended
60 Watts Max

**Install bulbs and be sure
to test fixture BEFORE
trimming.**

1 X  : 400/16-**

