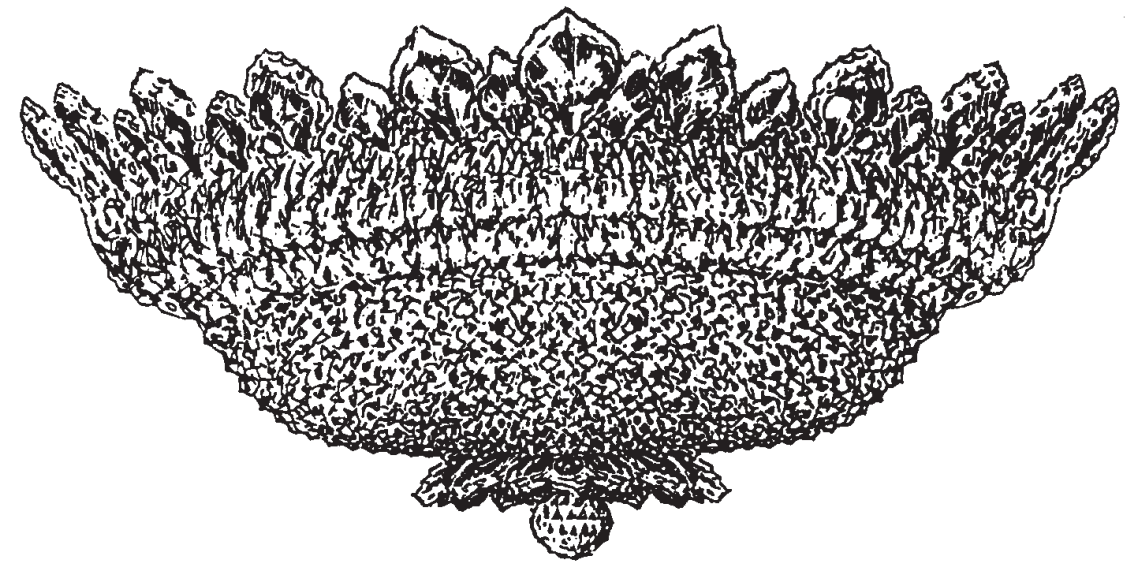


TRILLIANE 5867- __ __ S



THIS DESIGN IS THE PROPRIETARY
TRADE DRESS/TRADEMARK OF
SWAROVSKILIGHTING, LTD.

8 Lights
Diameter: 19"
Body Length: 9"
Hanging Weight: 13 lbs.



SCHONBEK®

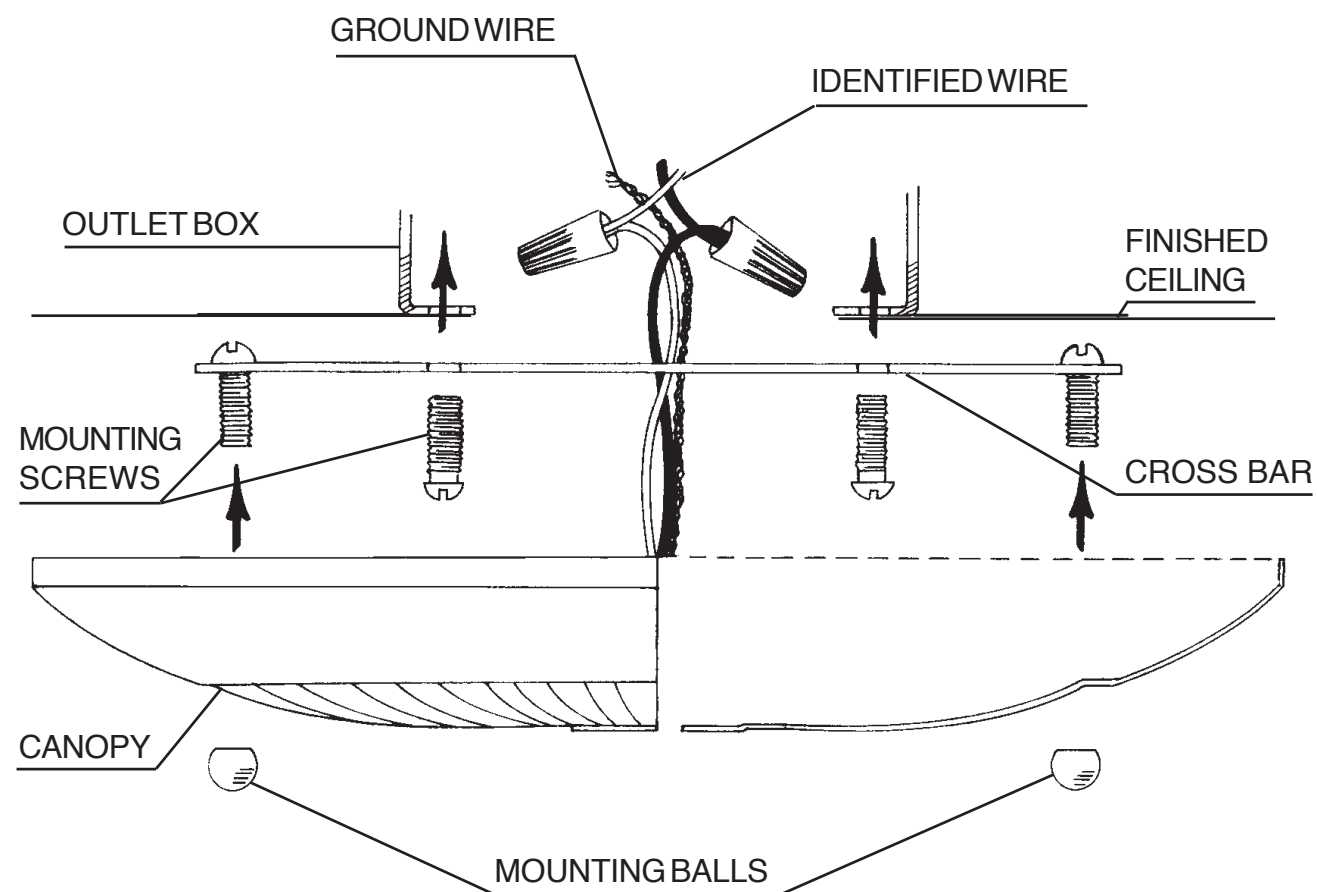


SCHONBEK®

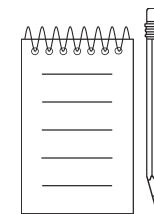
MAX 40 W		110-120 V						

SCHONBEK® is a member of the Swarovski group.

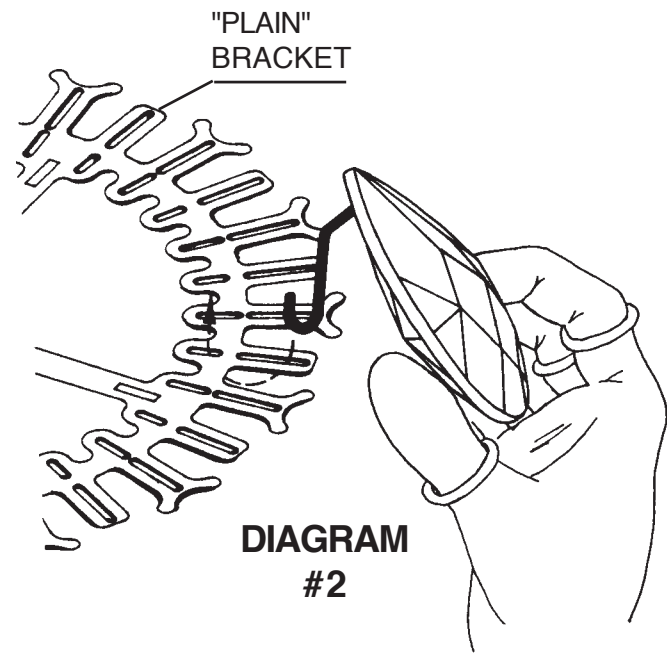
All electrical components must be installed by a licensed electrician in accordance with the National Electric Code and the appropriate local electrical codes.



- 1** MAKE SURE POWER IS DISCONNECTED!!
- 2** Attach crossbar to outlet box.
- 3** Again, make sure that power to the outlet box is disconnected. Attach stem wires to power wires in outlet box. Fixture MUST be properly grounded.
- 4** Attach canopy to ceiling with mounting balls, thereby retaining complete fixture against ceiling.
- 5** Screw bulbs into all sockets. Test power to insure proper wiring before hanging trim from fixture.



Installation of Crystal "G"

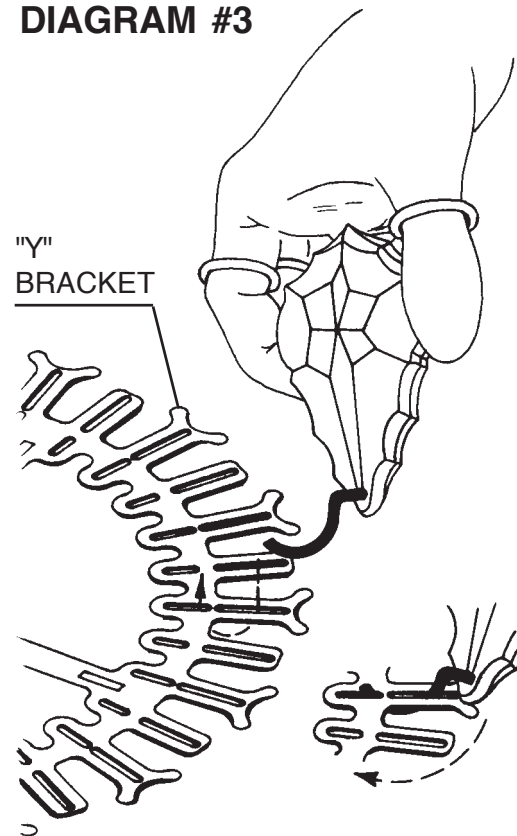


Position the crystal above the "plain" bracket so that the end of the hook enters the slot, gently push toward the center of the fixture and raise the crystal making sure that the end of the hook comes up through the inner slot, in line with the outer slot.

With the hook in the bracket, as shown, pivot the crystal downwards so that the hook rests in the end of the outer slot.



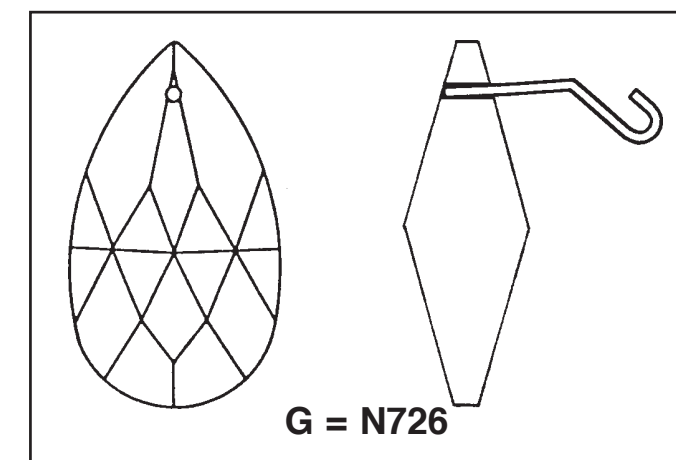
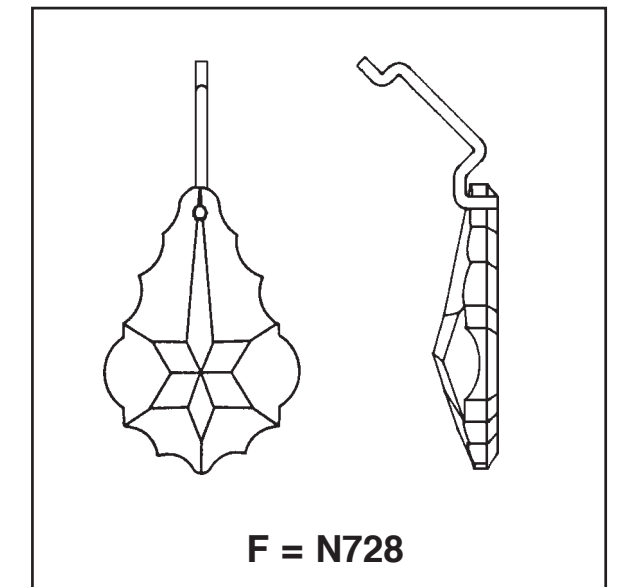
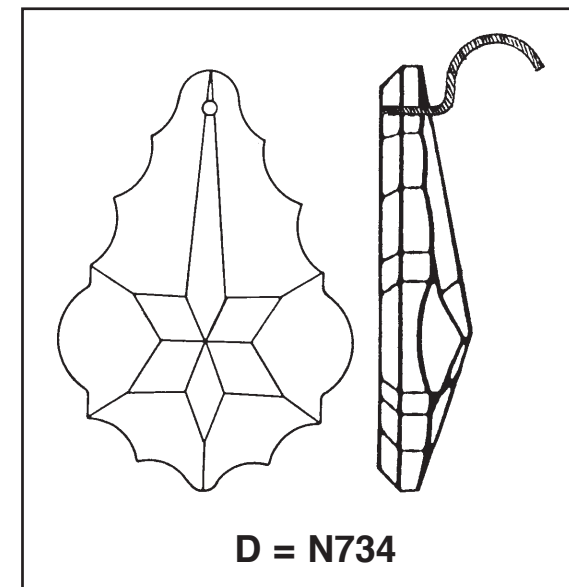
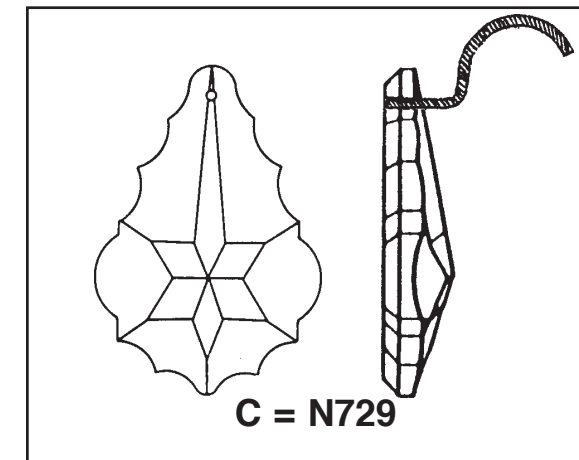
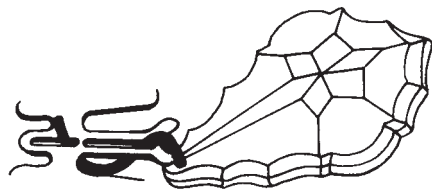
DIAGRAM #3



Installation of Crystal "C" and "D"

Position the crystal above the "Y" bracket so that the end of the hook enters the long slot, gently push toward the center of the fixture and raise the crystal making sure that the end of the hook comes up through the short slot, in line with the long slot.

With the hook in the bracket, as shown, pivot the crystal downwards so that the hook rests in the end of the long slot.

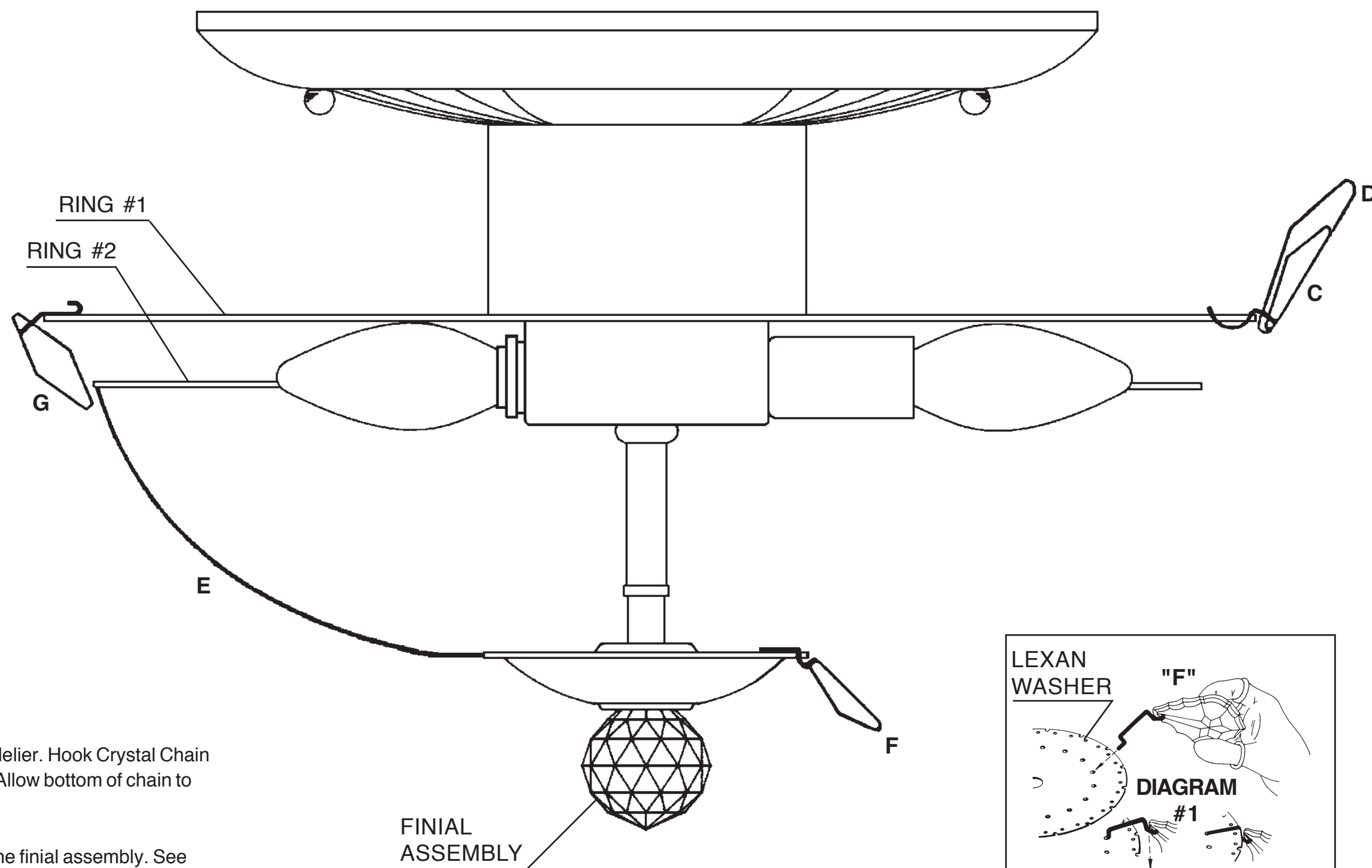




6

You will need 8 - B10
25 Watts Recommended
40 Watts Max

Install bulbs and be sure
to test fixture **BEFORE**
trimming.



7 Screw finial assembly onto bottom of chandelier. Hook Crystal Chain "E" (large crystal towards top) into the ring #2. Allow bottom of chain to hang freely.

8 Hook Crystal "F" into the lexan washer on the finial assembly. See diagram #1 for detailed instructions.

9 Hook the bottom of Chains "E" into the lexan washer. Close bottom hook after inserting into lexan washer.

10 Hook Crystal "G" into the "plain" bracket of ring #1. See diagram #2 on page 6.

11 Hook small Crystal "C" into every second "Y" bracket of ring #1. See diagram #3 on page 6.

12 Hook large Crystal "D" into the remaining "Y" brackets of ring #1. See diagram #3 on page 6.

