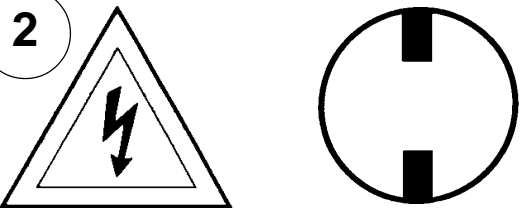


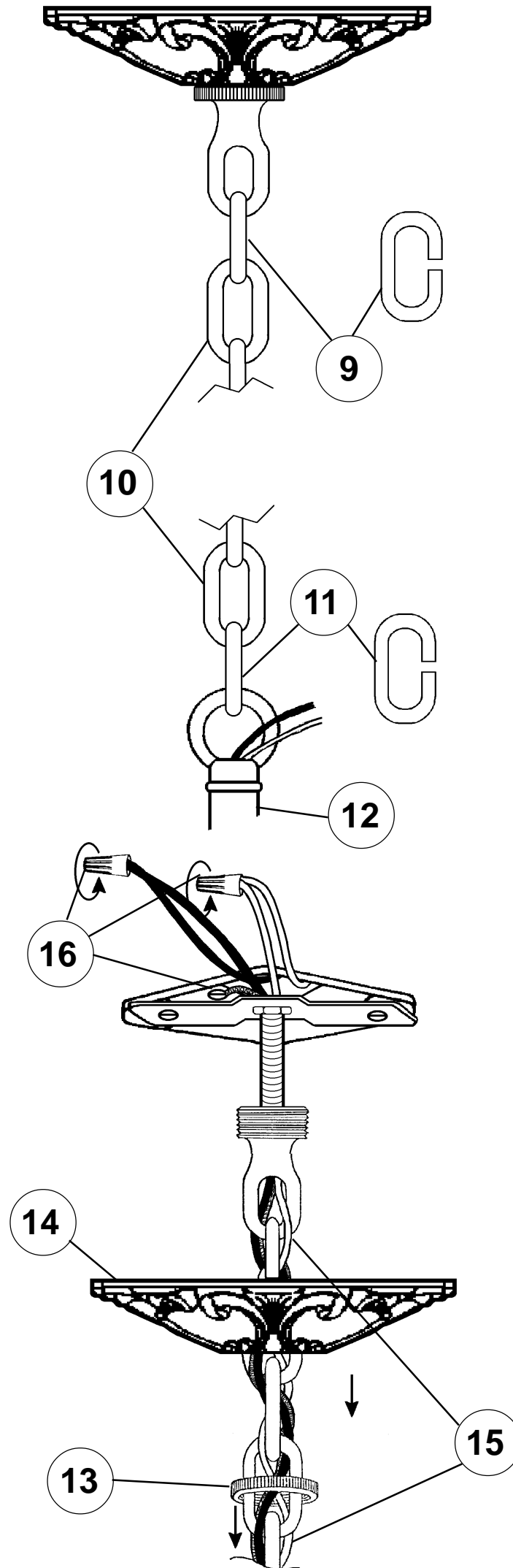
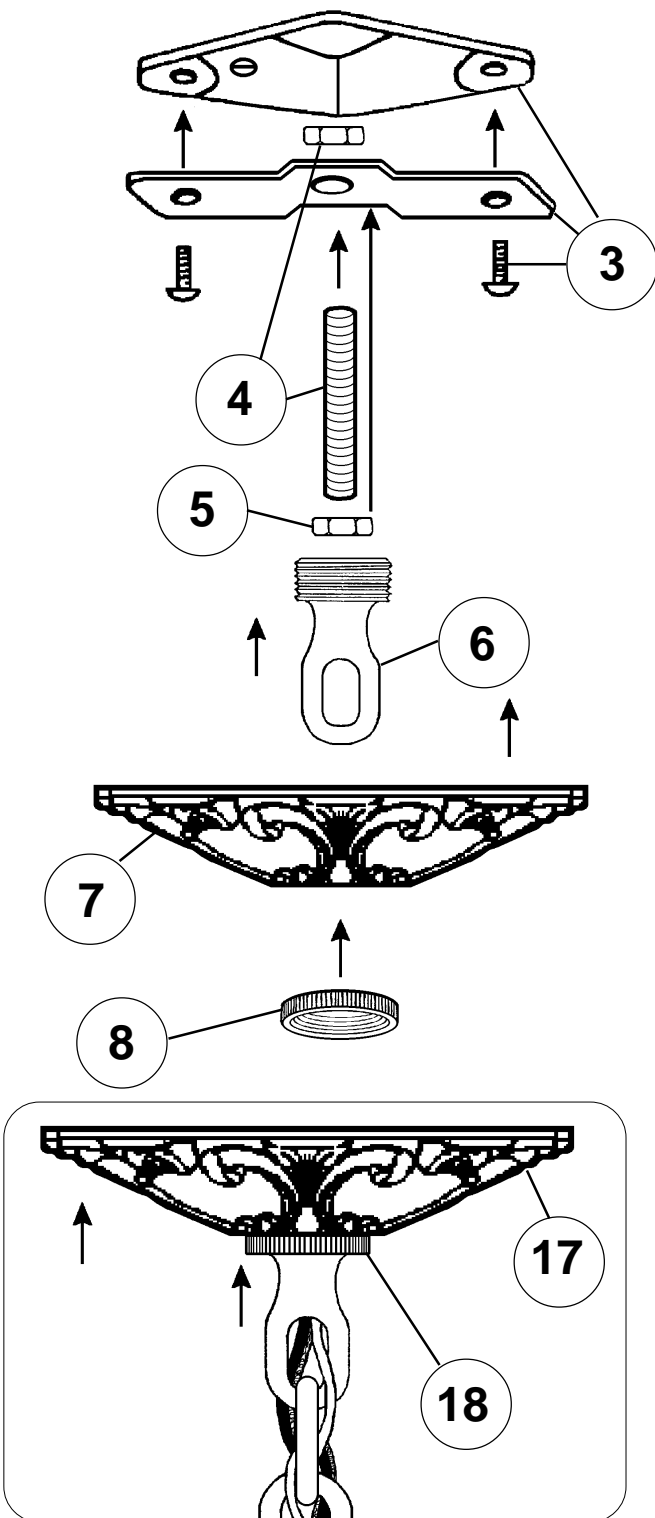
Instructions for electrician
STEPS 2 - 18

WARNING:



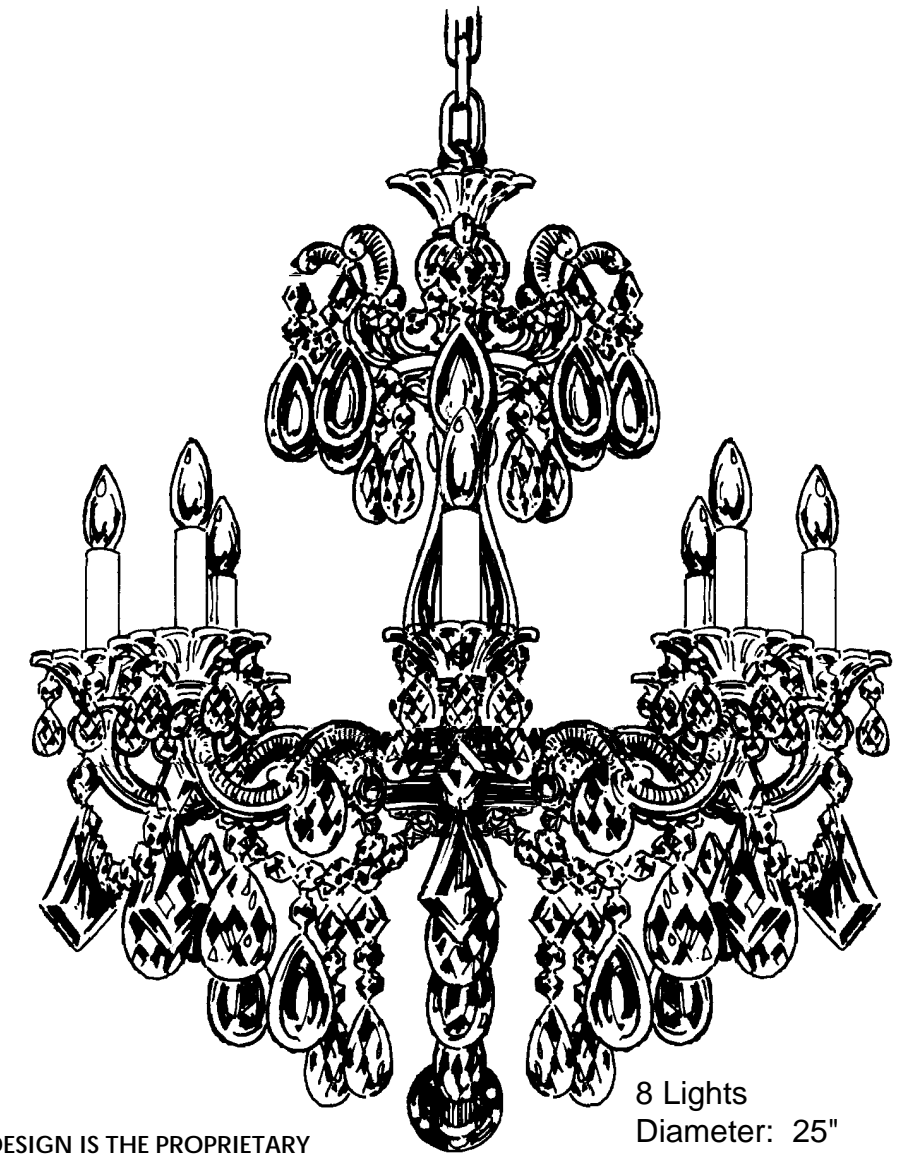
Electrical Danger Turn Power Off

All electrical components must be installed by a licensed electrician in accordance with the National Electric Code and the appropriate local electrical codes.



CHANDELIER 5073- _____ TRIM DIAGRAM

(Finish Option)



THIS DESIGN IS THE PROPRIETARY TRADE DRESS/TRADemark OF SCHONBEK WORLDWIDE LIGHTING INC.

8 Lights
Diameter: 25"
Body Length: 28-1/2"
Hanging Weight: 27 lbs.

SCHONBEK®

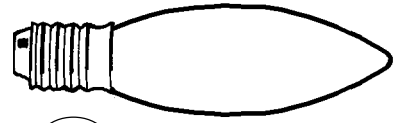
See diagram on back page
Follow steps in exact order
Save this trim diagram for future reference

IMPORTANT
1 Person who opens carton should record the following information for future service.
CODE # _____ Four-digit number on outside of carton.
PACKER # _____ See crystal package label.
ORDER # _____ See crystal package label.



Instructions for crystal trimming

STEPS 19 - 30



19

You will need 8 - C10
25 Watts Recommended
60 Watts Max

Install bulbs and be
sure to test fixture
BEFORE trimming.

