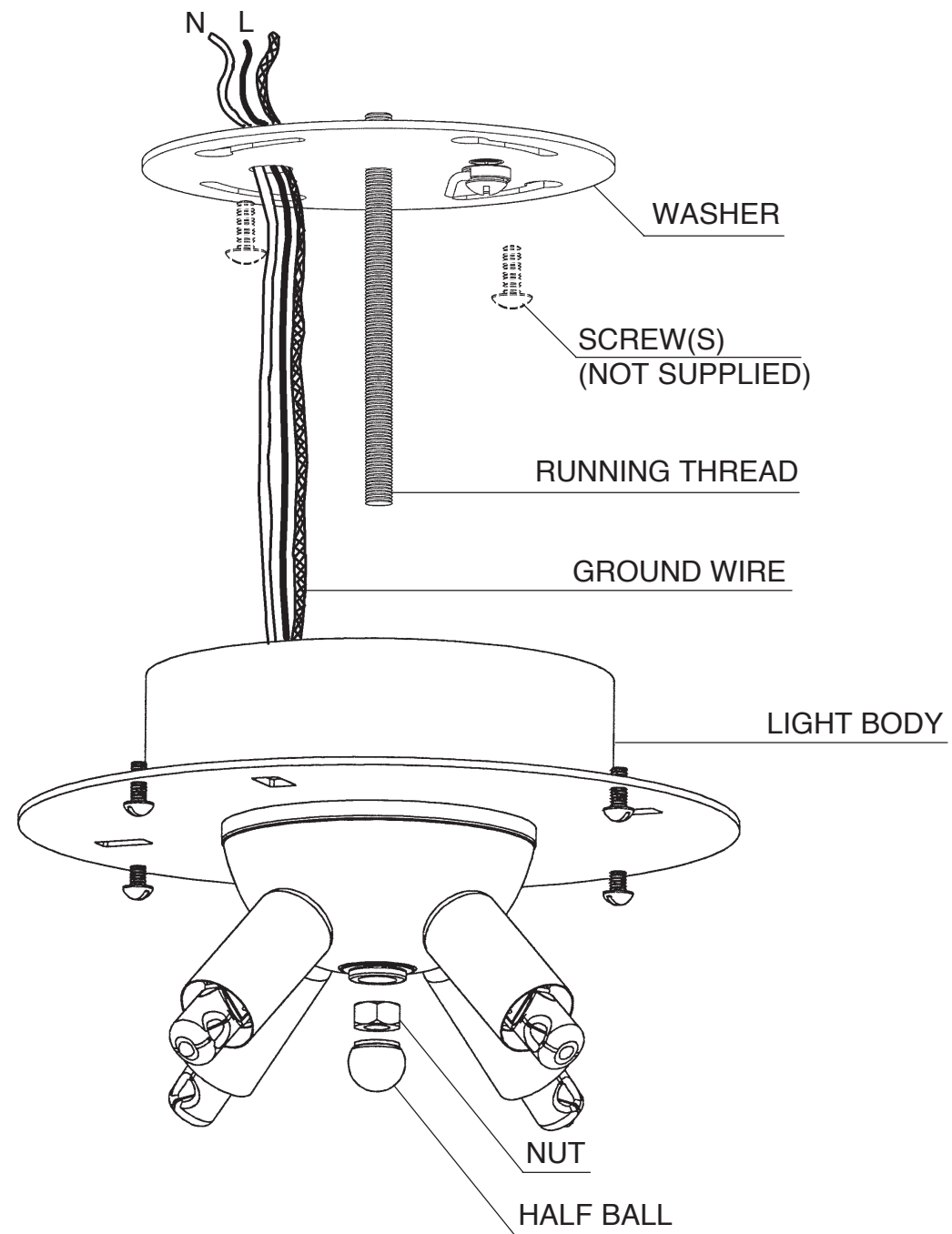


Instructions for electrician

STEPS 2 - 6



2 MAKE SURE POWER IS DISCONNECTED BEFORE INSTALLING OR MAINTAINING THIS FIXTURE.

3 Attach washer to ceiling with screws (not supplied).

4 Connect wires. Fixture MUST be grounded. If in any doubt consult a qualified electrician.

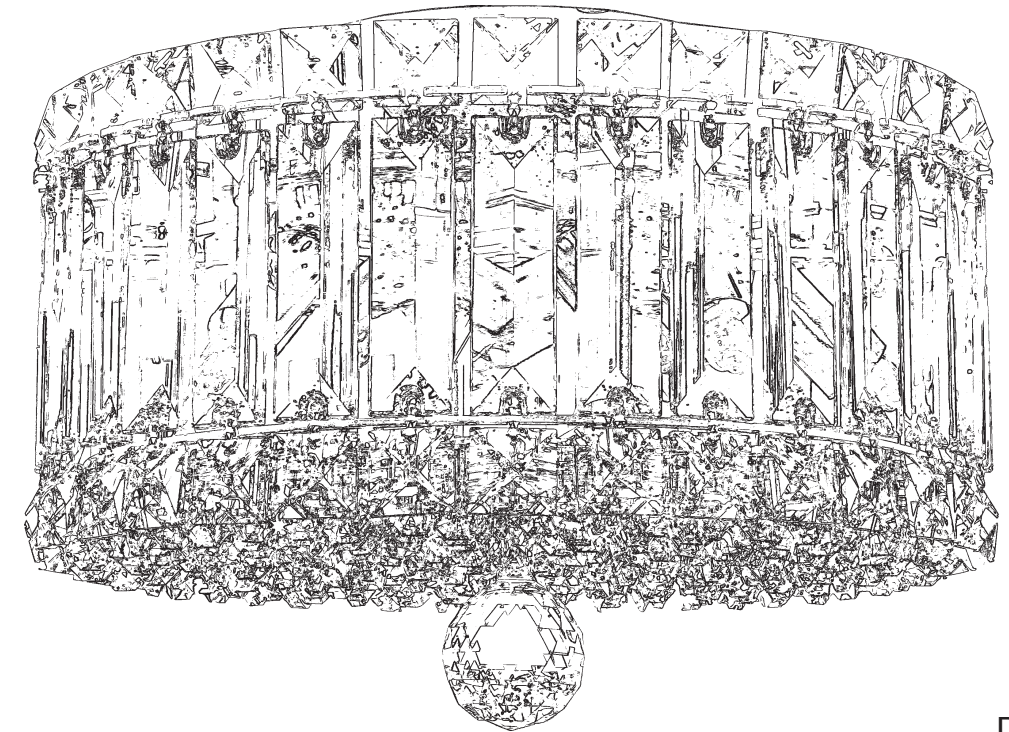
5 Slide light body over running thread and secure in place with nut and half ball.

6 Insert bulbs into sockets and test for proper wiring before hanging trim from fixture.

PLAZA 6692- _____ TRIM DIAGRAM

(Trim Option)

THIS DESIGN IS THE PROPRIETARY TRADE DRESS/TRADEMARK OF SCHONBEK WORLDWIDE LIGHTING INC.



4 Lights
Diameter: 10"
Height: 7.5"
Weight: 9lbs.



SCHONBEK®

See diagram on back page
Follow steps in exact order
Save this trim diagram for future reference

1 IMPORTANT
Person who opens carton should record the following information for future service.
CODE # _____ Four-digit number on outside of carton.
PACKER # _____ See crystal package label.
ORDER # _____ See crystal package label.

SCHONBEK IS A WORLD LEADER IN CHANDELIER DESIGN. PATENTS INCLUDE:
#5,144,541

SCHONBEK® is a member of the Swarovski company.

Instructions for crystal trimming

STEPS 7 - 10



4 - G9 JCD
 (Supplied - Schonbek #JCD-G9-40)
 40 Watts Max
 Install bulbs and be sure to test
 fixture BEFORE assembly.
 MIN 75°C SUPPLY
 CONDUCTORS



To avoid damaging, do
 NOT touch bulb with bare
 hands. Install bulb with
 clean cloth or tissue.

7 Place slots in top plate over screws on the light body. Turn fixture slightly until it is securely in place. Tighten the (4) screws to lock the top plate in place.

8 Install bottom crystal grid with thumb nuts (already screwed onto grid) to bottom of ring #1.

9 Screw ball "B" onto bottom of grid. Tighten set screw to lock into position. (Diagram #1)

10 Hang chain "A" into top plate. Hold chain by the top square crystal. (NOTE: Flat side of large crystals face out and chains are also symmetrical so either end will work!) When trimming a ST fixture, alternate hanging A & A1 chains. Insert square crystal into the pocket of the ring. (Diagram #2) Lower the chain until the top square stone seats itself into the ring pocket.

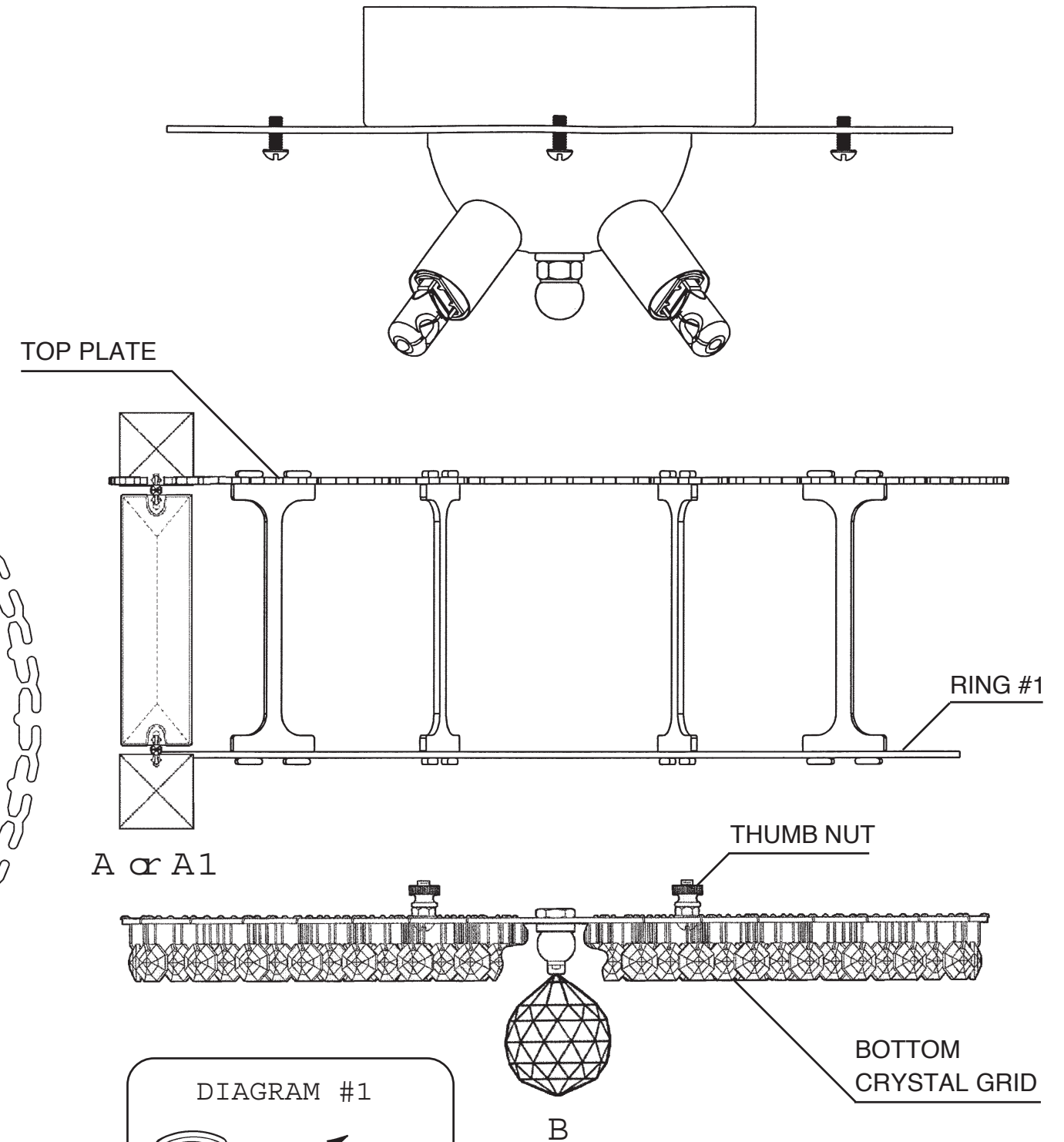
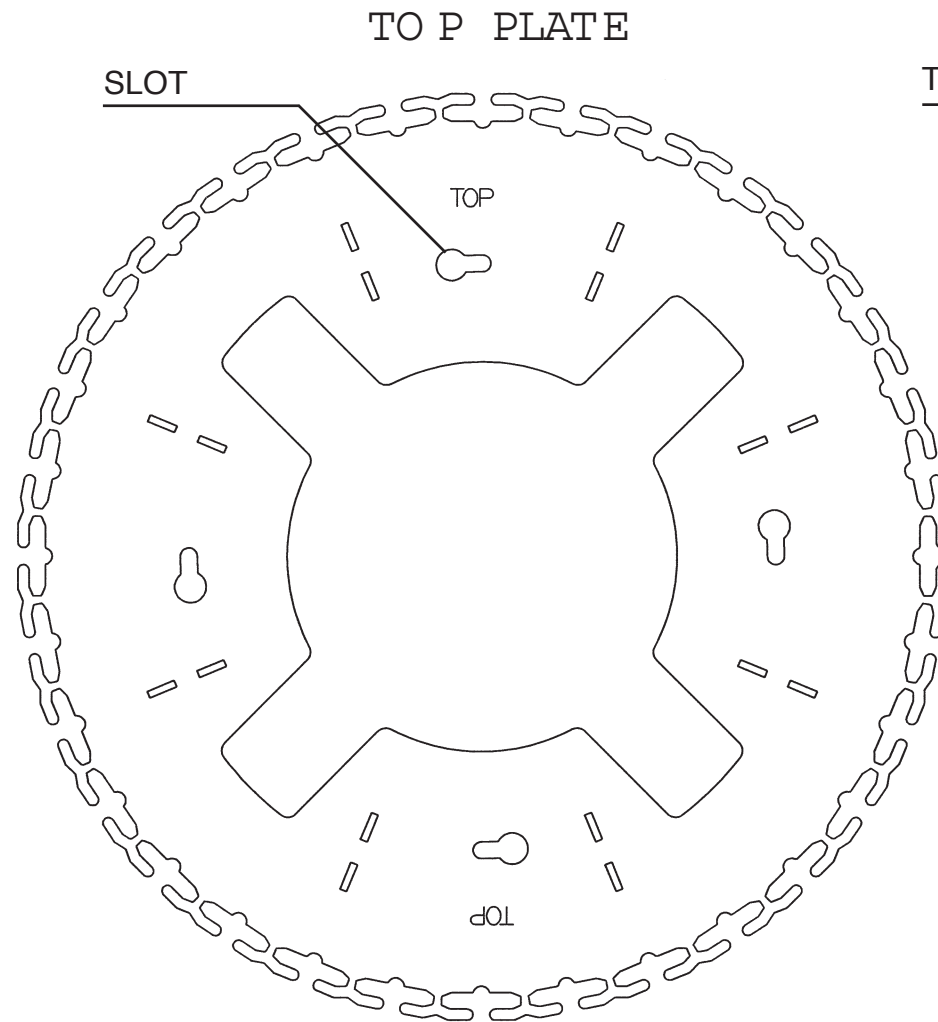


DIAGRAM #2

