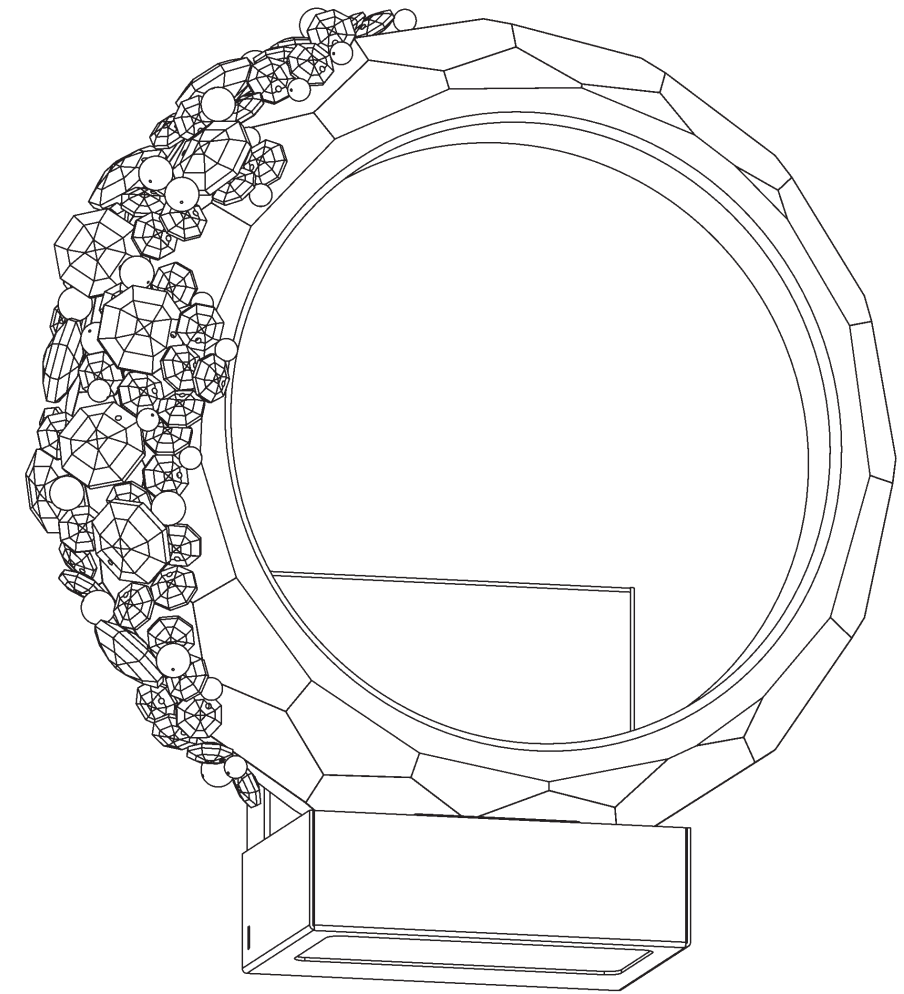
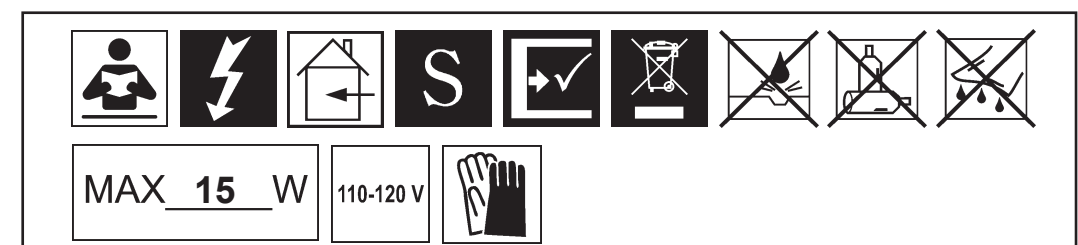


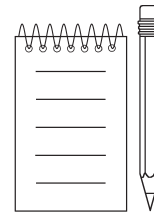
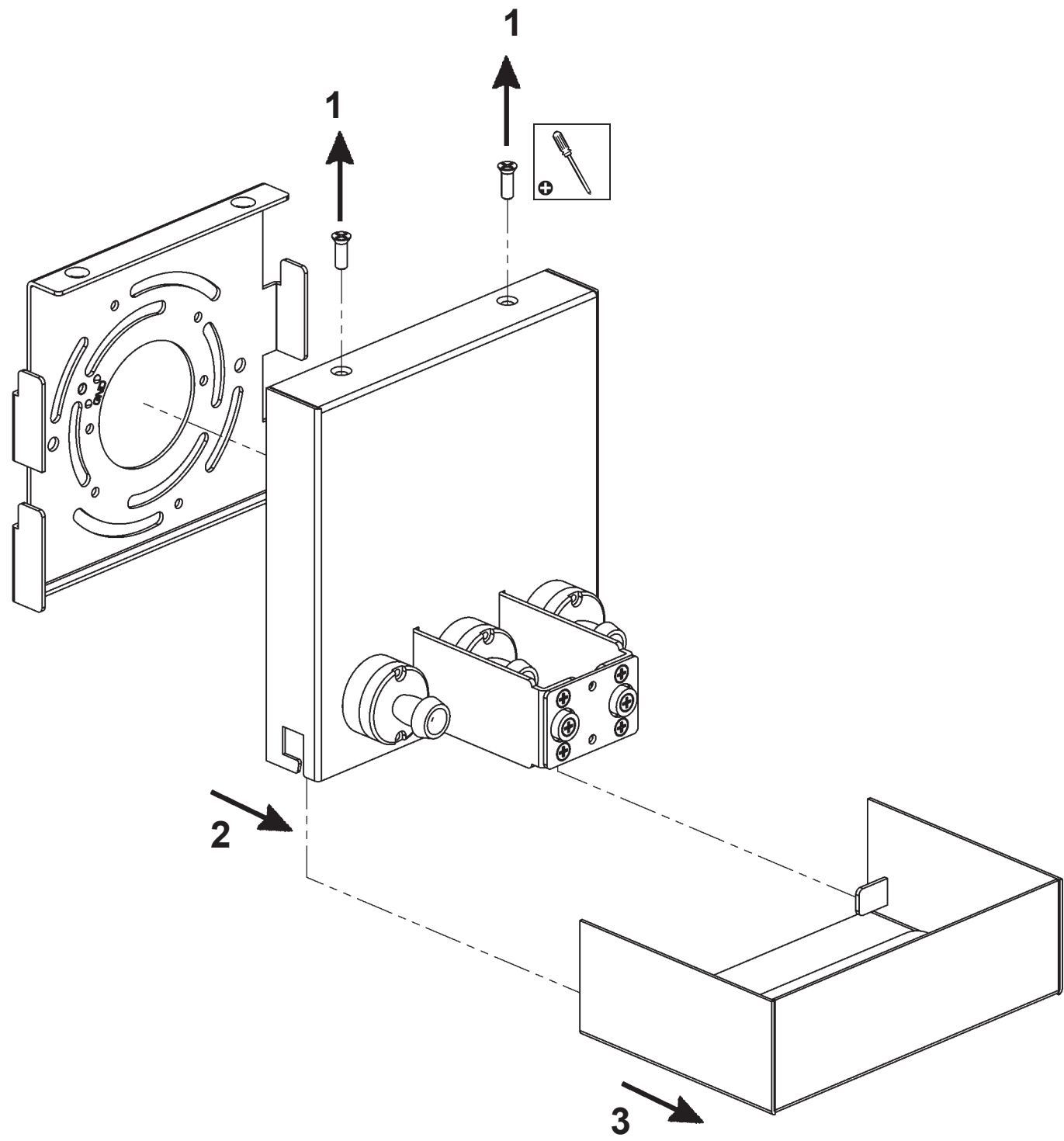
FOREVER  
SCHONBEK

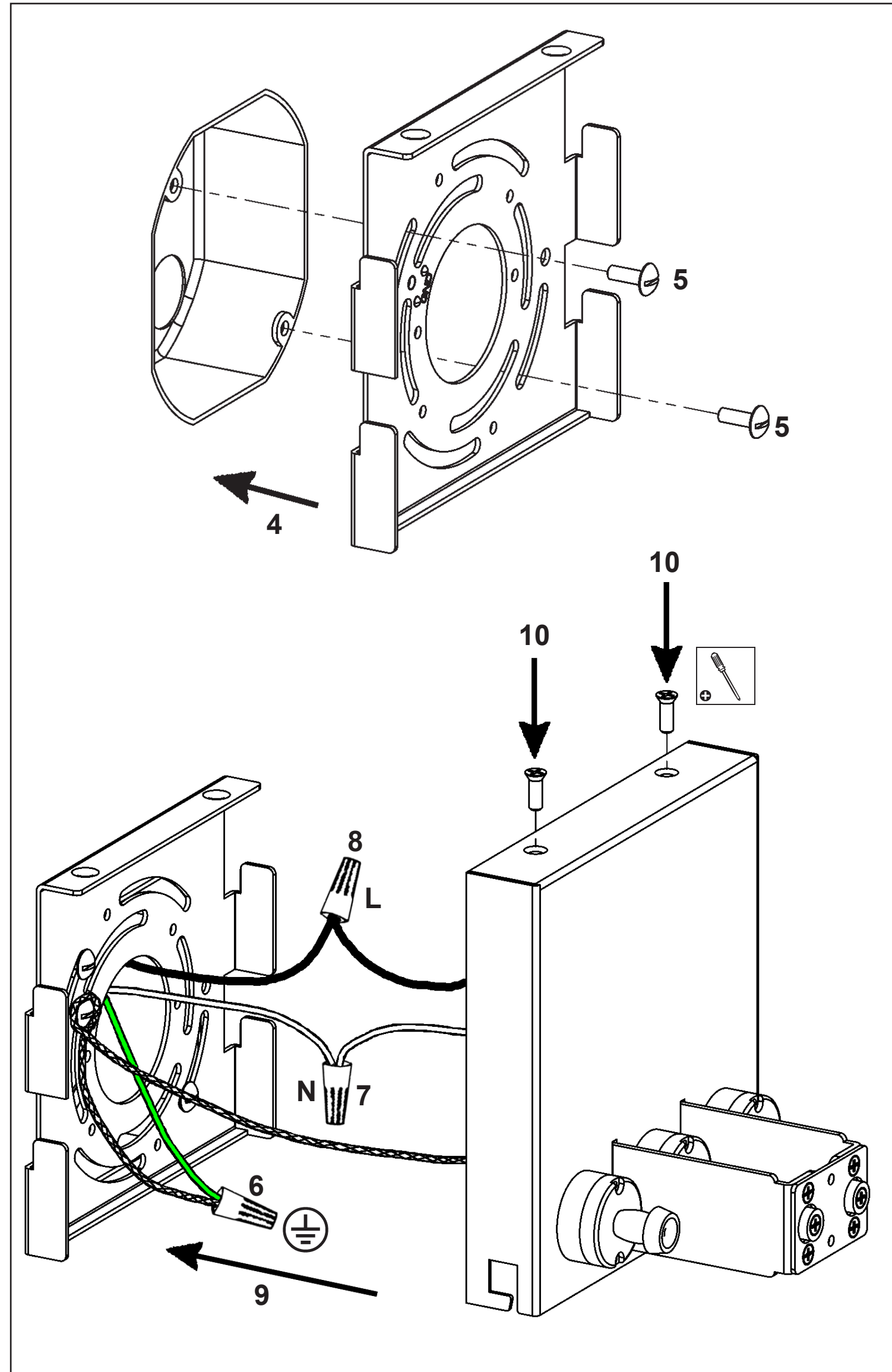
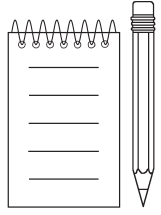


THIS DESIGN IS THE PROPRIETARY  
TRADE DRESS/TRADEMARK OF  
W SCHONBEK LLC.

FOREVER  
SCHONBEK







**\*\*ATTENTION\*\***  
**DUE TO FRAGILE NATURE**  
**OF PRODUCT, DO NOT**  
**HANDLE FIXTURE BY**  
**CRYSTALLIZED AREAS.**

