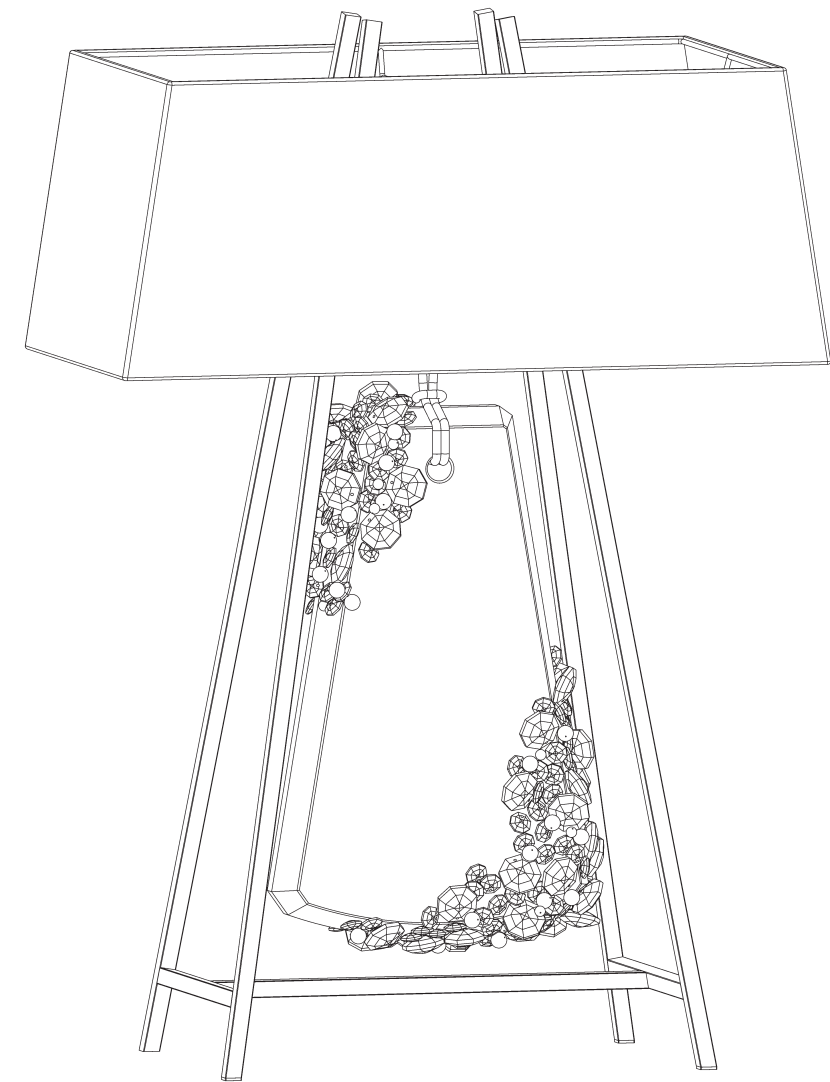


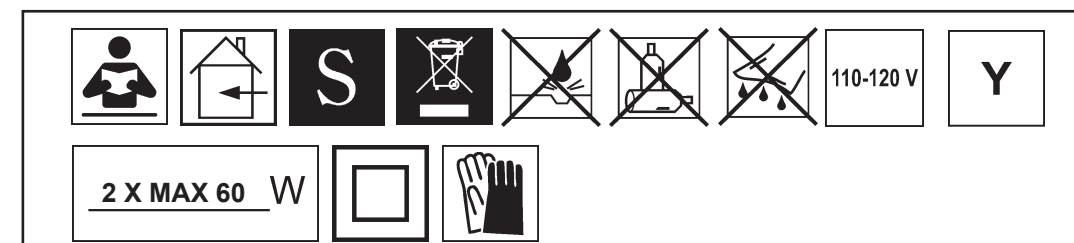
FOREVER
SCHONBEK

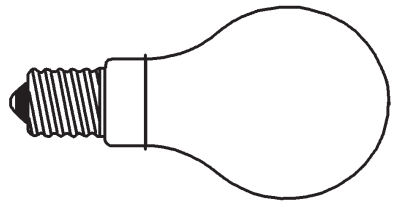
FLORA SJ4934-_____R



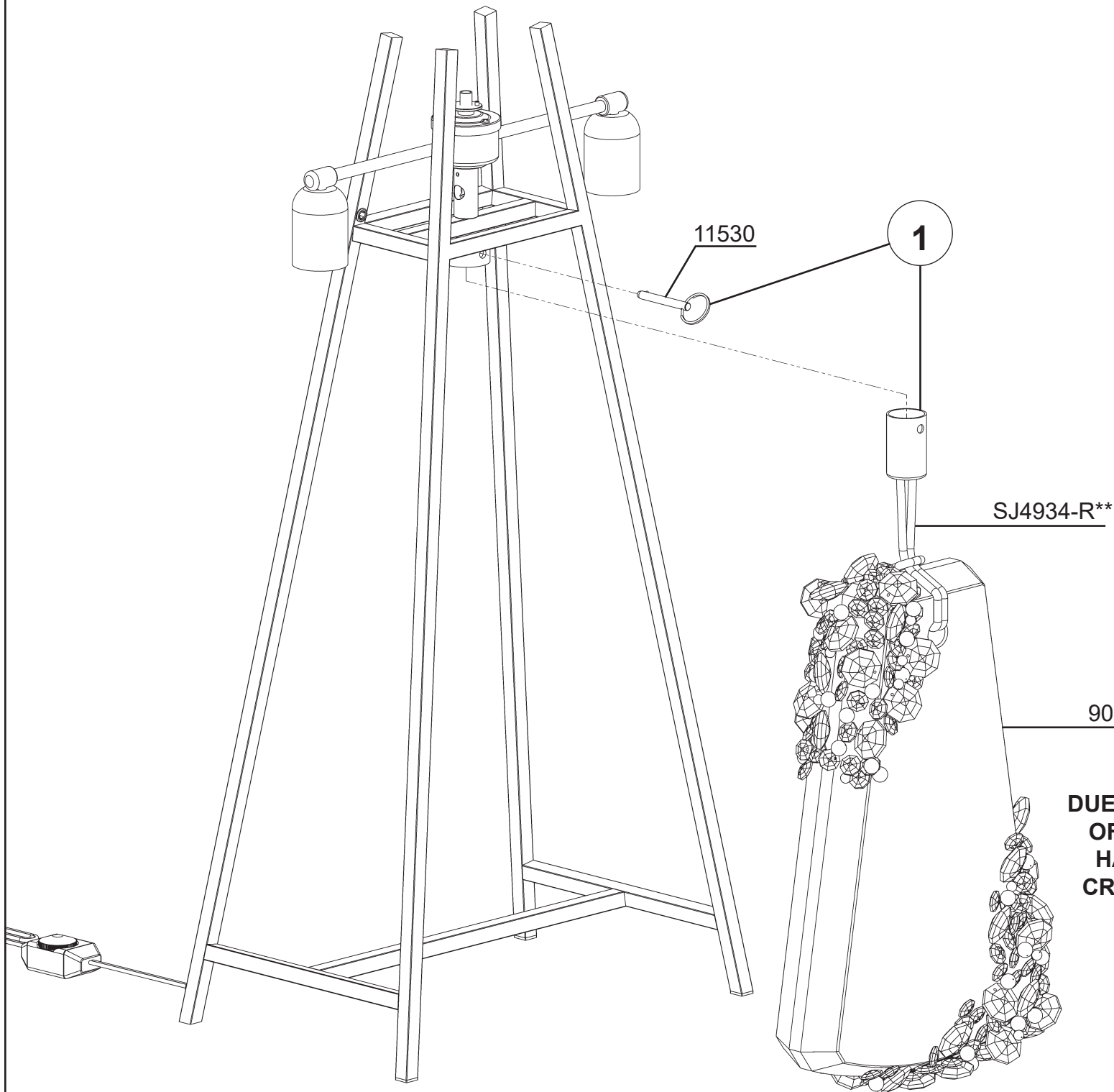
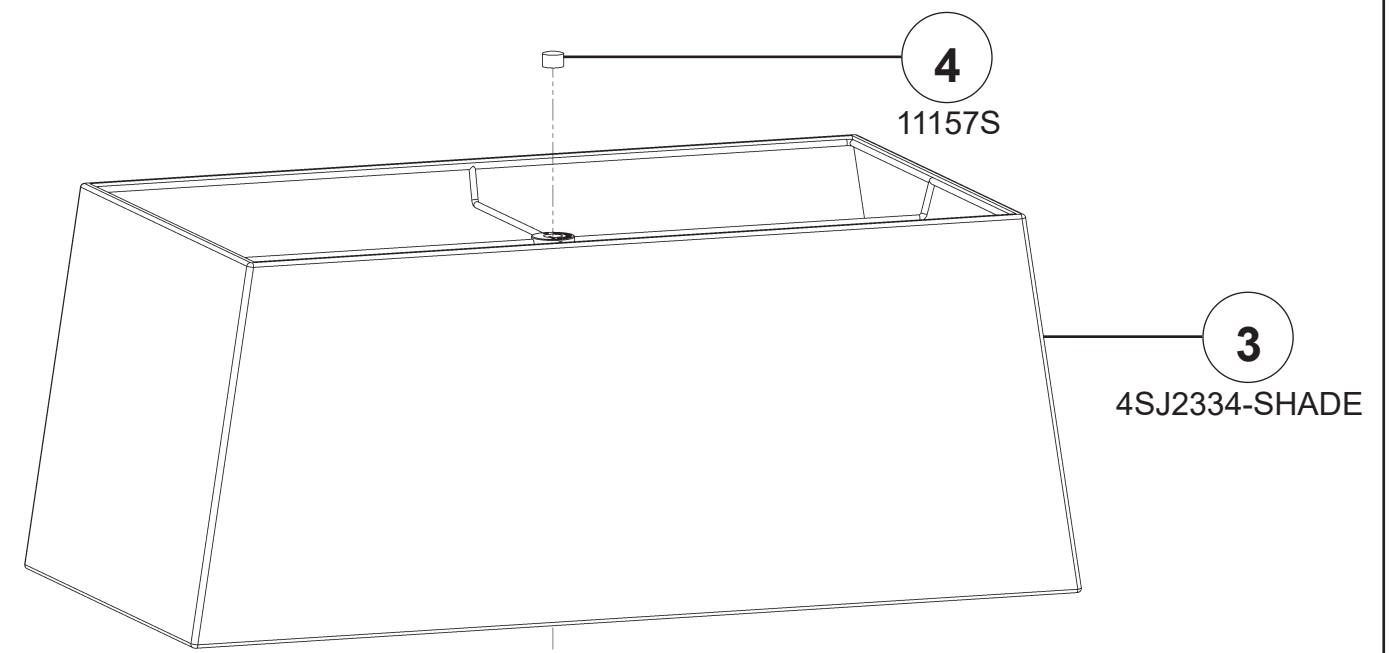
THIS DESIGN IS THE PROPRIETARY
TRADE DRESS/TRADEMARK OF
W SCHONBEK LLC.

FOREVER
SCHONBEK





You will need 2 - A19, E26 Base (supplied)
60 Watts Max



****ATTENTION****
DUE TO FRAGILE NATURE
OF PRODUCT, DO NOT
HANDLE FIXTURE BY
CRYSTALLIZED AREAS.

