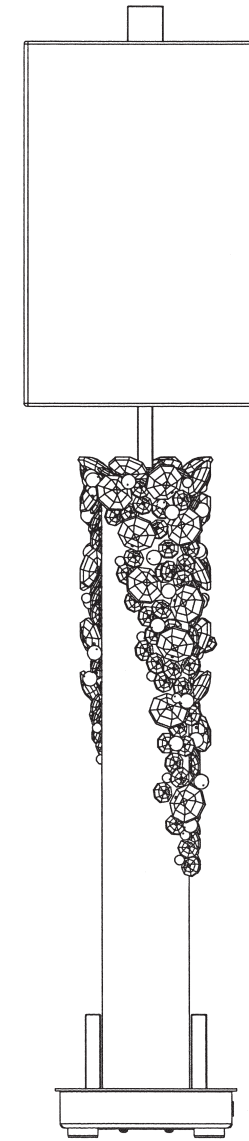


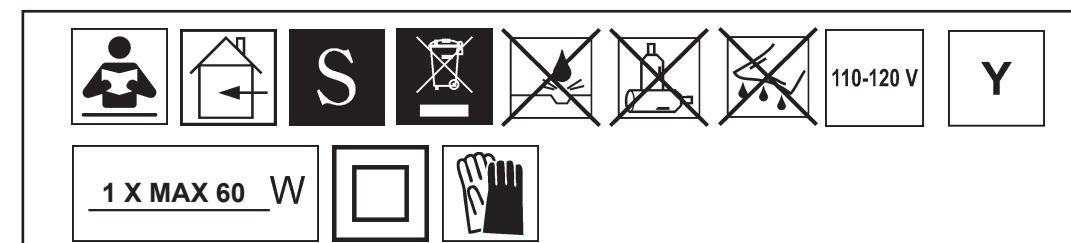
FOREVER
SCHONBEK

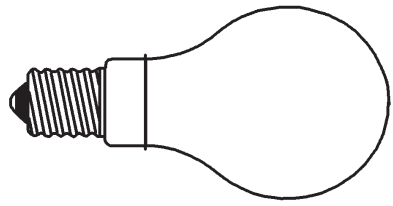
ZOE SJ6239-____R



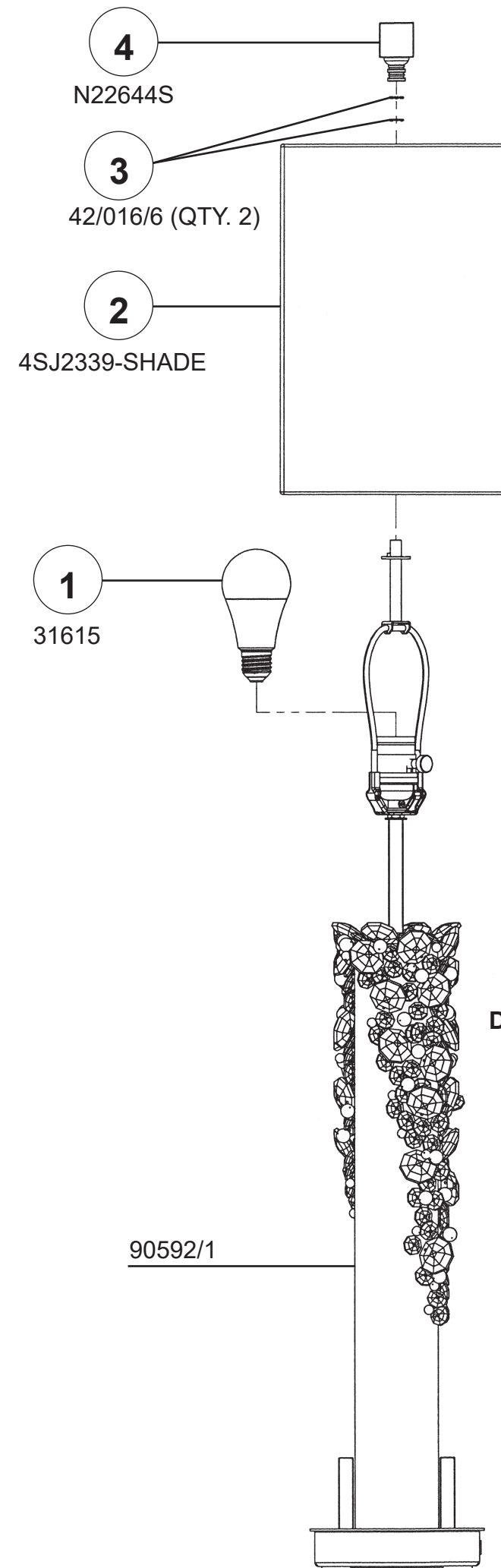
THIS DESIGN IS THE PROPRIETARY
TRADE DRESS/TRADEMARK OF
W SCHONBEK LLC.

FOREVER
SCHONBEK





You will need 1 - A19, E26 Base (supplied)
60 Watts Max



****ATTENTION****
DURING HANDLING, DO NOT
REST CRYSTAL ON HARD
SURFACES.