



JASMINE

9698-__ __O



THIS DESIGN IS THE PROPRIETARY TRADE DRESS/TRADEMARK OF W SCHONBEK LLC.

20 Lights
Diameter: 36"
Height: 57-1/2"
Hanging Weight: 70lbs.



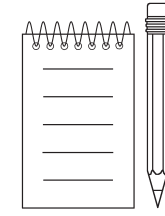
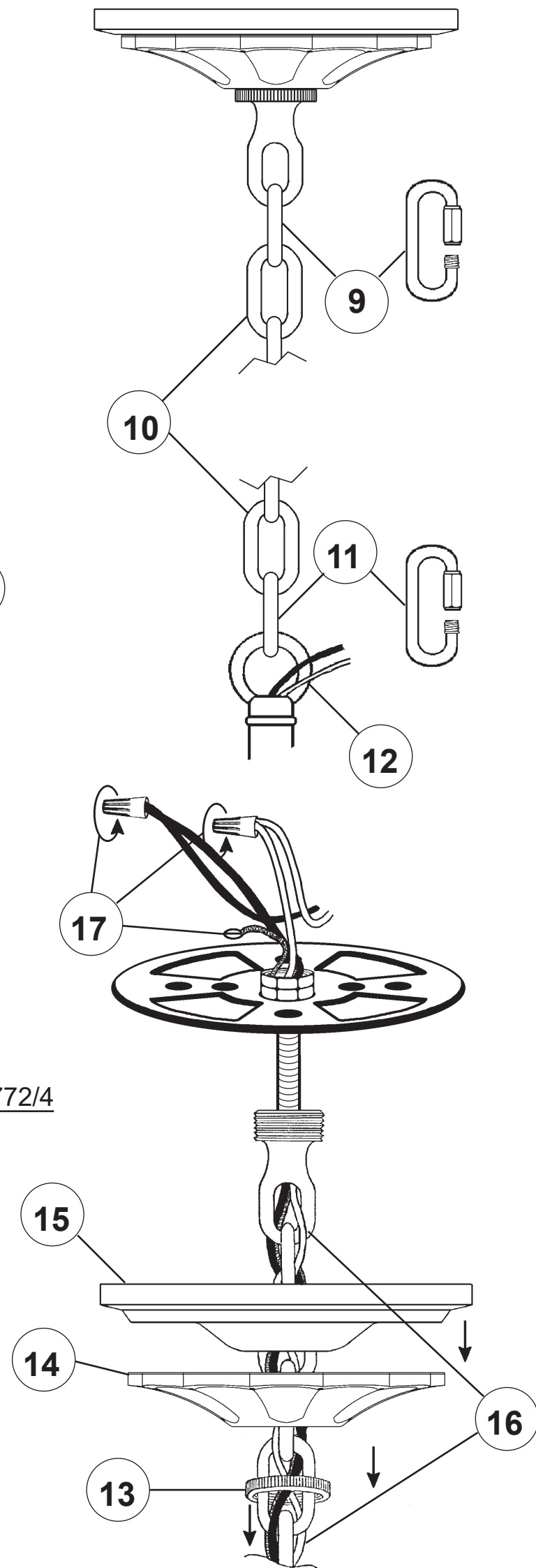
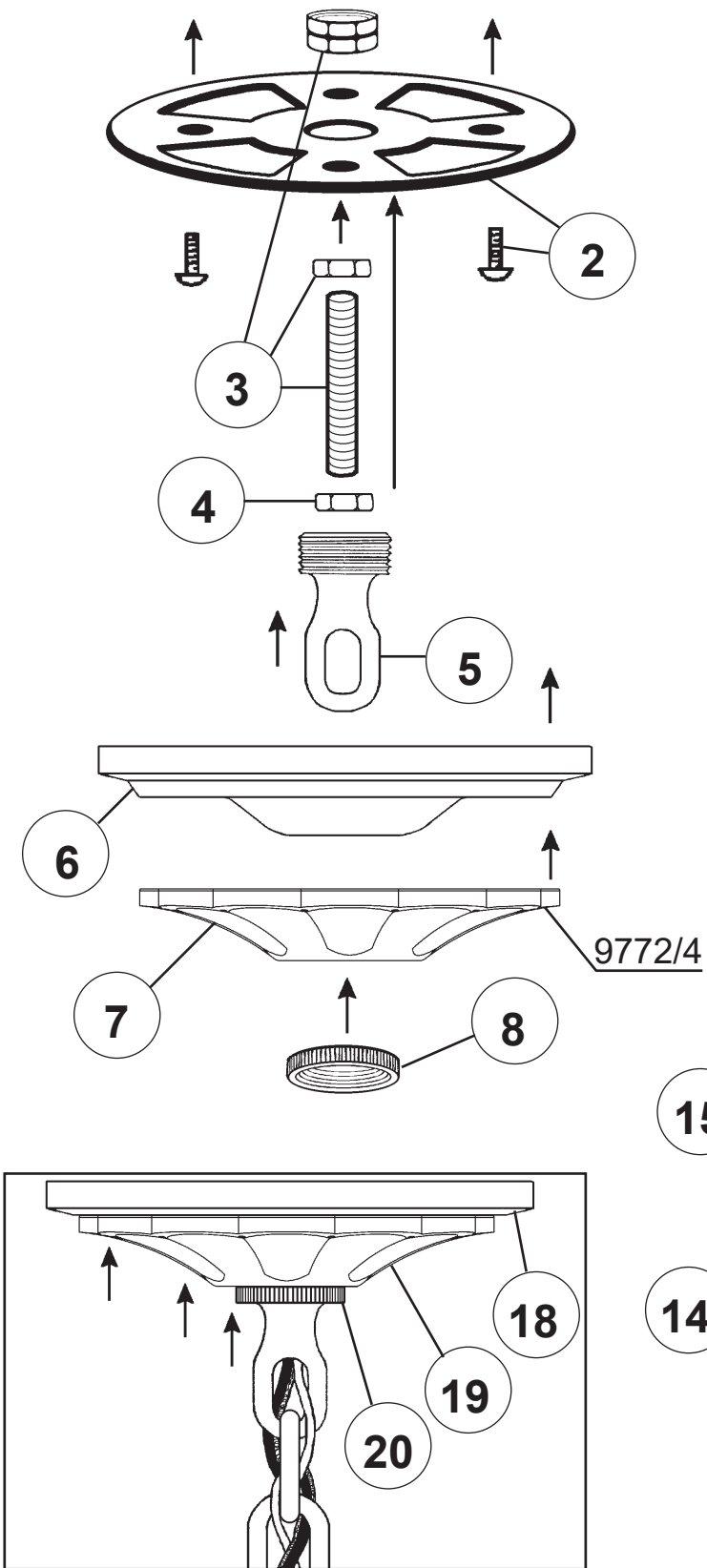
MAX <u>60</u> W	110-120 V							

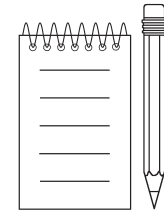
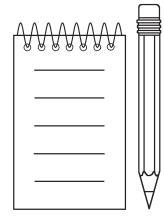
1 **WARNING:**

Electrical Danger **Turn Power Off**

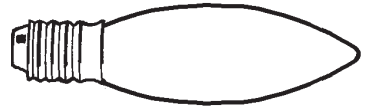
All electrical components must be installed by a licensed electrician in accordance with the National Electric Code and the appropriate local electrical codes.

WARNING: THIS LUMINAIRE MUST BE MOUNTED OR SUPPORTED INDEPENDENTLY OF AN OUTLET BOX.





25



You will need 20 - B10
25 Watts Recommended
60 Watts Max

24

90191/500
glass candle slip sits on
top of bobèche 90183

23

22

90183

90183

90163

90160

90193

90194

90164

90171

90159

90193

90164

90171

90162

90157

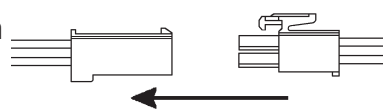
90168

26

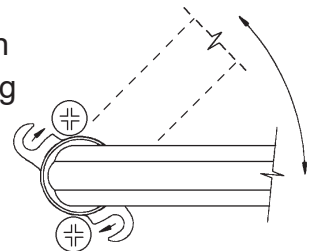
N10138 -**

21

Connect upper arm
wires to the center column
using plug-in connectors.
See detailed illustration.



Push wires into hole and attach
arm to upper washer by rotating
arm into place. Lock down by
tightening screws into flange.
See detailed illustration.



Repeat steps above for middle and lower arms.