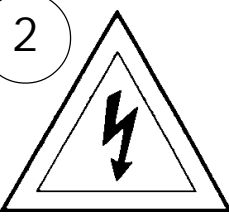


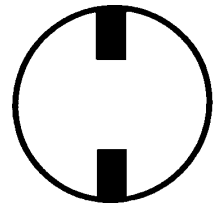
## Instructions for electrician STEPS 2 - 18

**WARNING:** THIS LUMINAIRE MUST BE MOUNTED OR SUPPORTED INDEPENDENTLY OF AN OUTLET BOX.

**WARNING:**

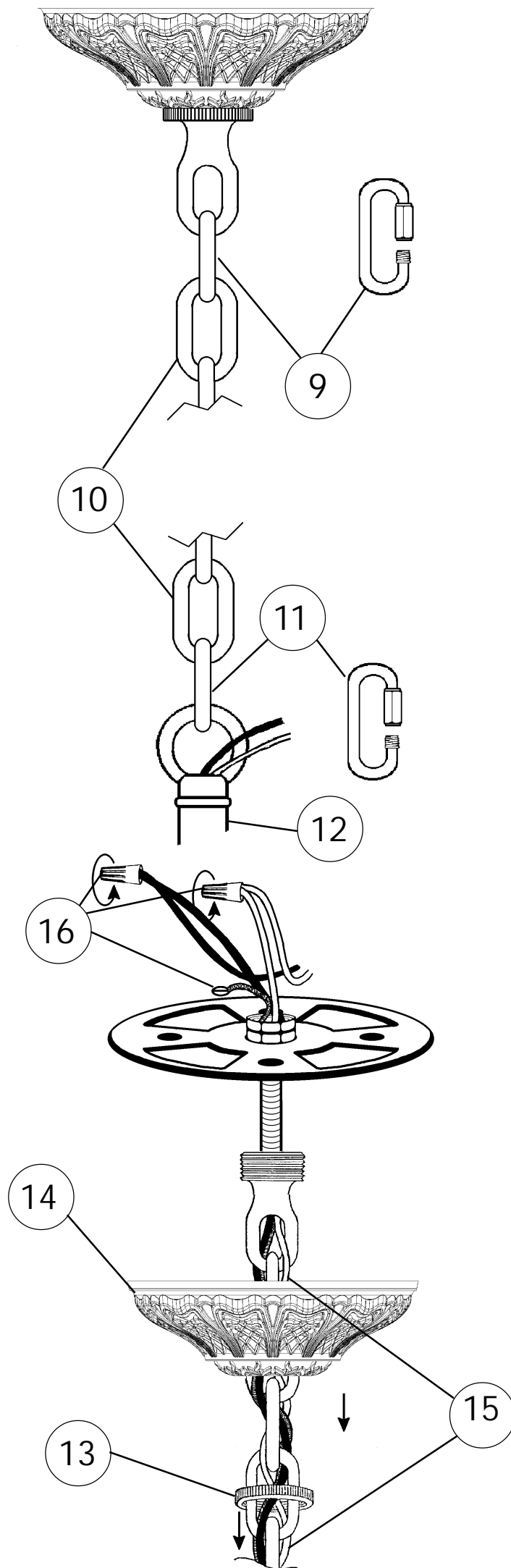
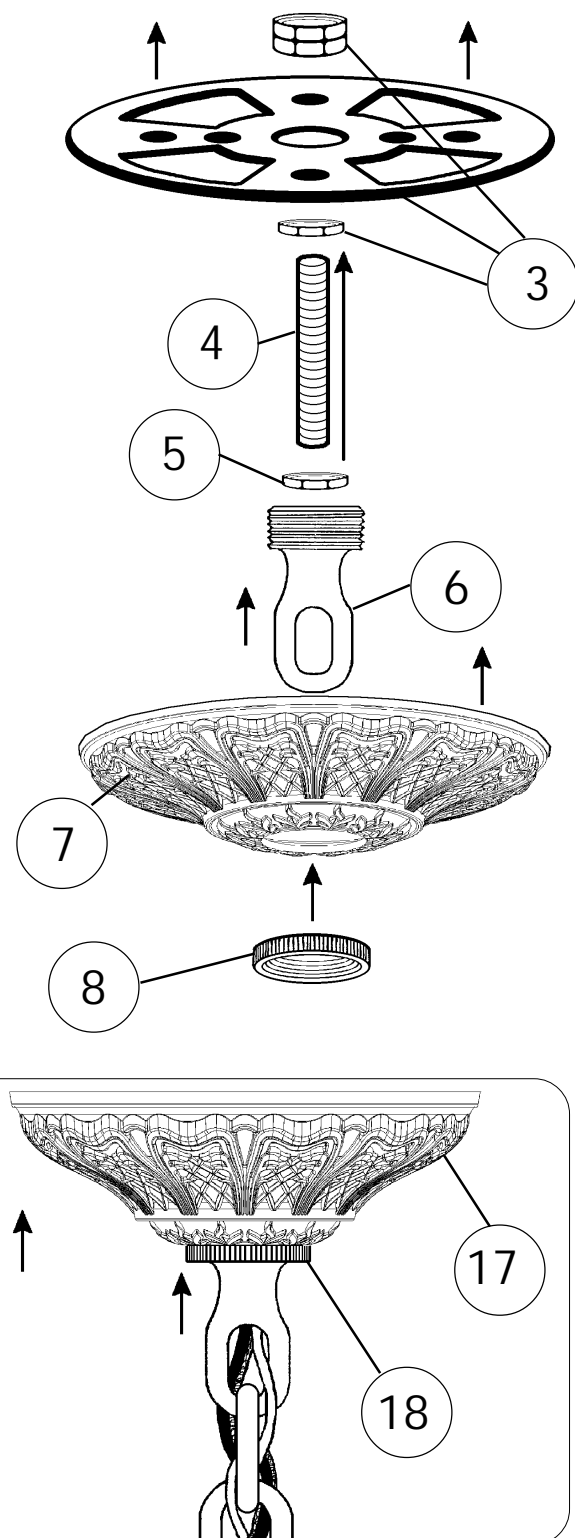


Electrical Danger



Turn Power Off

All electrical components must be installed by a licensed electrician in accordance with the National Electric Code and the appropriate local electrical codes.



## CHANDELIER 5685-\_\_\_\_A TRIM DIAGRAM

(Finish Option)



**T**HIS DESIGN IS THE PROPRIETARY TRADE DRESS/TRADE MARK OF SCHONBEK WORLDWIDE LIGHTING INC.

10 + 5 Lights  
Diameter: 38-1/2"  
Body Length: 38"  
Hanging Weight: 52 lbs.

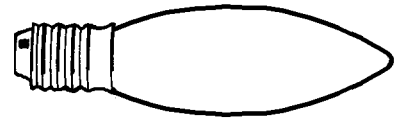
# SCHONBEK®

See diagram on back page  
Follow steps in exact order  
Save this trim diagram for future reference

**1** **IMPORTANT**  
Person who opens carton should record the following information for future service.  
CODE # \_\_\_\_\_ Four-digit number on outside of carton.  
PACKER # \_\_\_\_\_ See crystal package label.  
ORDER # \_\_\_\_\_ See crystal package label.

# Instructions for crystal trimming

## STEPS 19 - 35

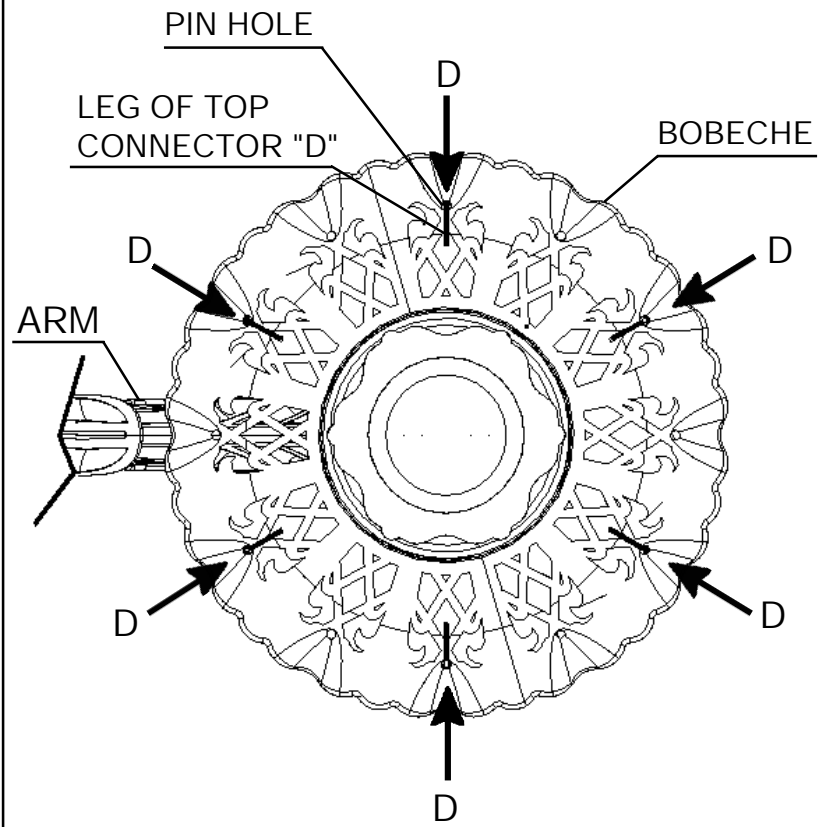


You will need 15 - C10  
25 Watts Recommended  
60 Watts Max

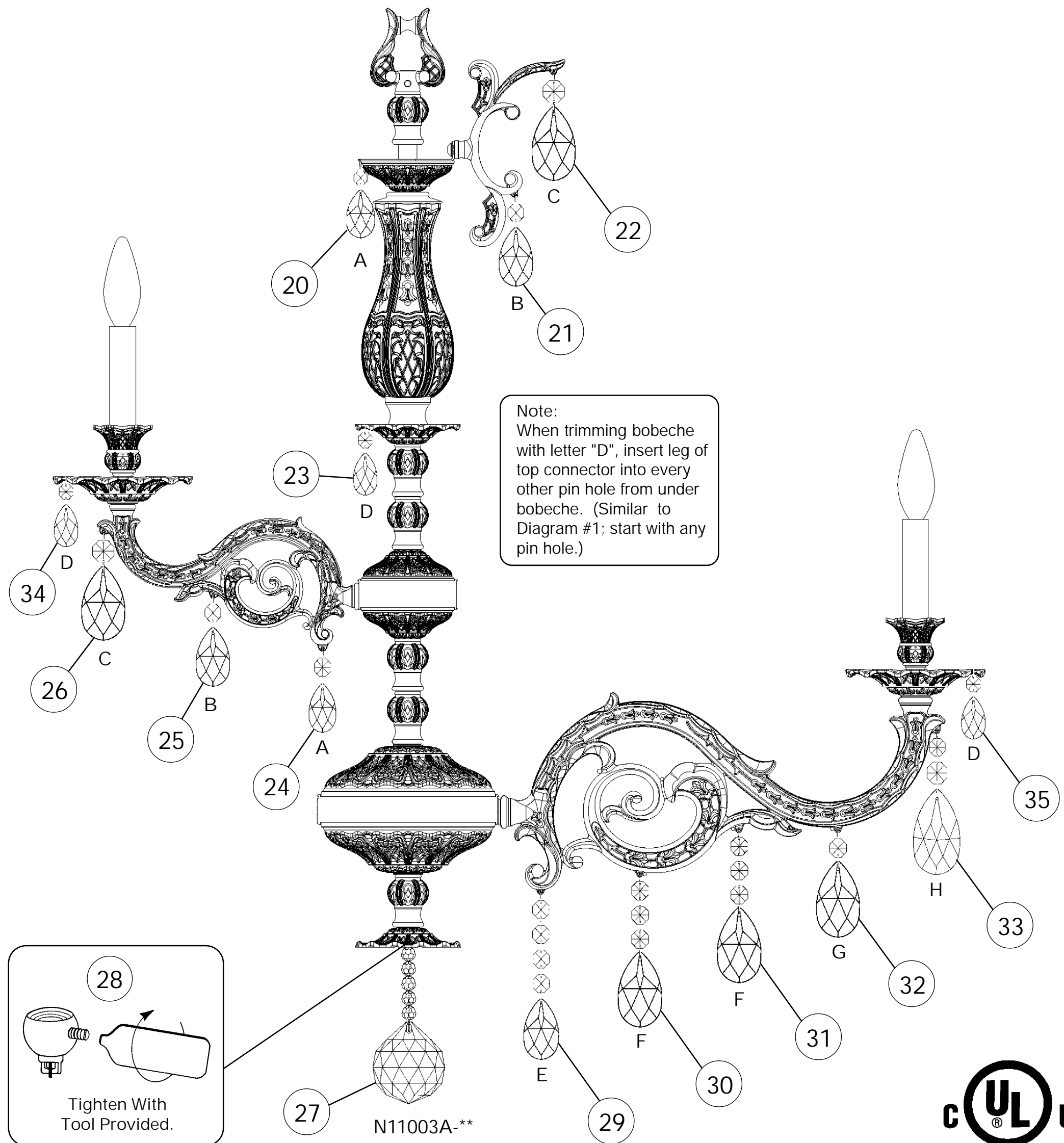
19

Install bulbs and be  
sure to test fixture  
BEFORE trimming.

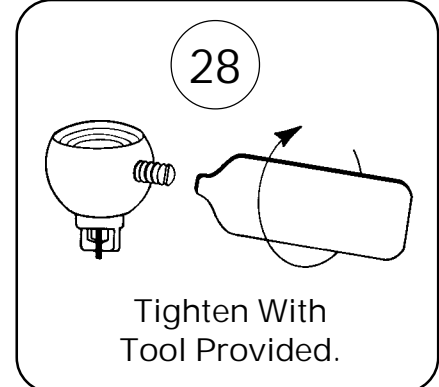
### DIAGRAM #1



When trimming bobeche with letter "D", insert leg of top connector into pin hole from under bobeche. Hang in every other pin hole starting on either side of the arm (refer to Diagram #1)



Note:  
When trimming bobeche  
with letter "D", insert leg of  
top connector into every  
other pin hole from under  
bobeche. (Similar to  
Diagram #1; start with any  
pin hole.)



Tighten With  
Tool Provided.

