

# ASSEMBLY & INSTALLATION INSTRUCTIONS



## Fixture

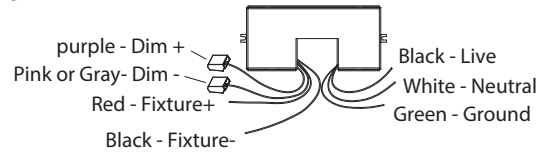
BPD83247

Fig. 2 Wiring



Fixture Wires	House Wires
Black or Smooth	Black (Live)
White or Ribbed	White (Neutral)
Bare wire (Ground)	Green or Bare Copper (Ground)

Fig. 3



## Controller

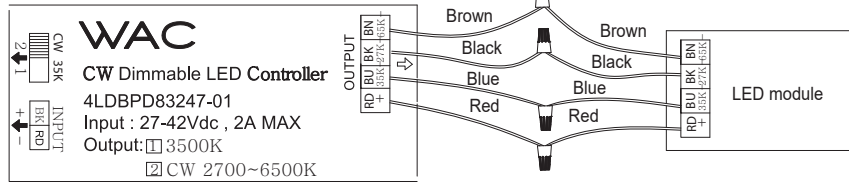
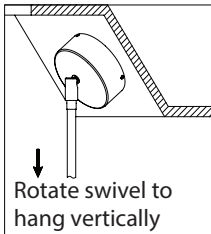
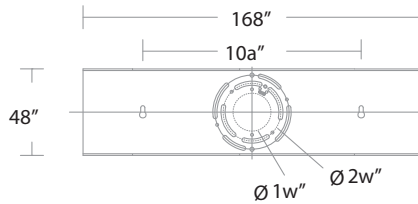


Fig.4



## Ceiling Plate Dimensions



Schonbek, 61 Industrial Blvd, Plattsburgh, New York, 12901  
Phone: 1-800-836-1892 | Fax: 518-563-4228 |  
www.schonbek.com

## HARDWARE

A



Wire Connector  
Qty: 3pcs+1Extra

B



Wire Connector  
Qty: 4pcs+1Extra

C



Canopy Screw  
Qty: 1 Extra

D



Anchor Screw  
Qty: 2PCS+1Extra

E



Plastic Anchor  
Qty: 2PCS+1 Extra

F

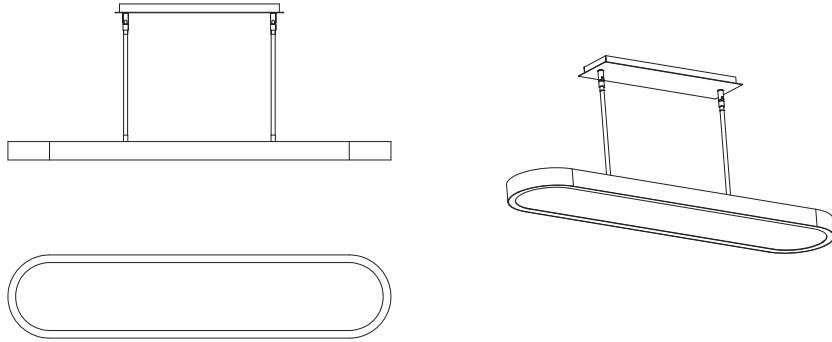


Adapter  
Qty: 2PCS

## ASSEMBLY & INSTALLATION INSTRUCTIONS

Fixture  
BPD83247

SCHONBEK  
*Beyond*



### WARNING

- IMPORTANT: NEVER attempt any work without shutting off the electricity.**
- Read all instructions before installing.
  - System is intended for installation in accordance with the National Electrical Code (NEC), other applicable installation code(s) and local regulations by a licensed electrician familiar with the operation of the product and the hazards involved.
  - Go to the main fuse box, or circuit breaker panel. Place the main power switch in the "OFF" position and unscrew the fuse (s) or switch "OFF" the circuit breaker switch (es) that control the power to the fixture (s) or room that you are working on.
  - Place the wall switch in the "OFF" position.
  - FAILURE TO INSTALL THIS FIXTURE IN ACCORDANCE WITH THESE INSTRUCTIONS MAY RESULT IN SERIOUS PERSONAL INJURY OR DEATH AND/OR PROPERTY DAMAGE.**

### CAUTION

- All parts must be used as indicated in these instructions. Do not substitute any parts, leave parts out, or use any parts that are worn out or broken. Failure to follow this instruction could invalidate the ETL/CETL Listing of this fixture.
- When handling the fixture, do not apply pressure to the LEDs or bulbs. Hold the fixture by the base only.
- Do not exceed maximum wattage noted on the fixture. Use only the recommended LED or standard lamps with the fixture.

### ADVERTENCIA

- IMPORTANTE: NUNCA trate de hacer ningún trabajo sin desconectar la electricidad.**
- Lea todas las instrucciones antes de instalar.
  - El sistema tiene por objeto la instalación de acuerdo con el Código Eléctrico Nacional, y otros códigos de instalación y reglamentos locales aplicables, por parte de un electricista autorizado que esté familiarizado con el funcionamiento del producto y los peligros involucrados.
  - Vaya a la caja de fusibles o al panel de disyuntores principal. Ponga el interruptor principal de alimentación en la posición de "APAGADO", y desenchufe los fusibles o "DESCONECTE" los disyuntores que controlen la alimentación a los dispositivos o la habitación en los que usted está trabajando.
  - Ponga el interruptor de pared en la posición de "APAGADO".
  - EL HECHO DE NO INSTALAR ESTE DISPOSITIVO DE ACUERDO CON ESTAS INSTRUCCIONES PODRÍA RESULTAR EN UNA LESIÓN PERSONAL GRAVE O LA MUERTE, Y/O DAÑOS A LA PROPIEDAD.**

### PRECAUCIÓN

- Todas las piezas deben usarse como se indica en estas instrucciones. No sustituya ninguna pieza, no deje piezas fuera, ni utilice ninguna pieza que esté desgastada ni rota. El hecho de no seguir estas instrucciones podría invalidar la certificación ETL/CETL de este dispositivo.
- Al manipular el dispositivo, no aplique presión a los LED ni las bombillas. Sujete el dispositivo solo por la base.
- No exceda la potencia máxima indicada en el dispositivo. Use solo los LED o las bombillas estándar recomendados con el dispositivo.

### ADVERTENCIA

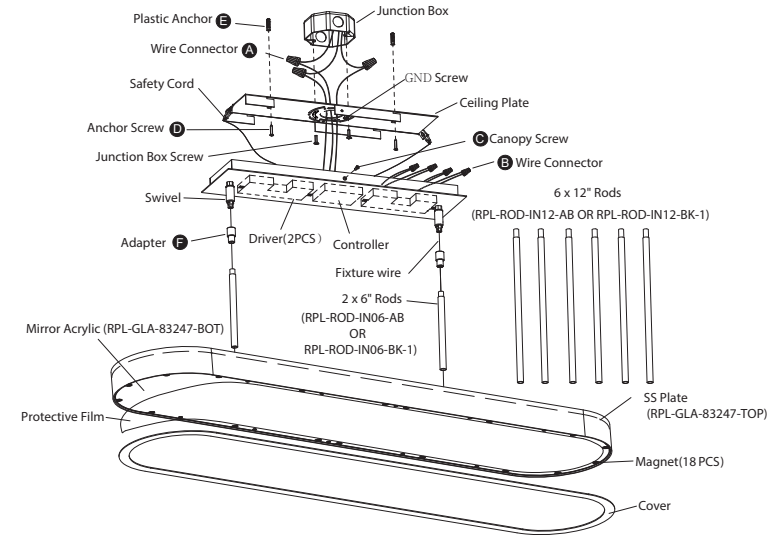
- IMPORTANT: Ne JAMAIS entreprendre des travaux sans couper l'électricité.**
- Lire toutes les instructions avant l'installation.
  - Ce système est conçu pour être installé conformément au Code national de l'électricité ou d'autres codes d'installation et réglementations locales en vigueur par un électricien agréé connaissant le fonctionnement de ce produit et les dangers qu'il comporte.
  - Aller à la boîte à fusibles ou panneau principal de disjoncteurs. Placer l'interrupteur d'alimentation principal sur « ARRÊT » et dévisser le ou les fusibles ou mettre sur « ARRÊT » le ou les disjoncteurs qui contrôlent l'alimentation du ou des appareils électriques ou de la pièce dans laquelle vous travaillez.
  - Mettre l'interrupteur mural sur « ARRÊT ».
  - NEGLIGER D'INSTALLER CET APPAREIL CONFORMÉMENT À CES INSTRUCTIONS RISQUE D'ENTRAÎNER DE GRAVES BLESSURES PERSONNELLES OU LA MORT AINSI QUE DES DOMMAGES MATÉRIELS.
  - MISE EN GARDE
  - Toutes les pièces doivent être utilisées comme indiqué dans ces instructions. Ne remplacer aucune pièce, ne laisser aucune pièce de côté ou n'utiliser aucune pièce usée ou cassée. Le non-respect de cette directive peut invalider l'homologation ETL/CETL de cet appareil.
  - Lors de la manipulation de cet appareil, n'appliquer aucune pression sur les DEL ou les ampoules. Maintenir l'appareil par la base uniquement.
  - Ne pas dépasser le nombre de watts maximum indiqué sur l'appareil. N'utiliser que les DEL ou ampoules standard recommandées dans cet appareil.

## ASSEMBLY & INSTALLATION INSTRUCTIONS

Fixture  
BPD83247

SCHONBEK  
*Beyond*

Fig. 1



### To Install Fixture (Fig. 1)

**CAUTION: BE SURE POWER IS OFF AT THE MAIN BREAKER BOX PRIOR TO INSTALLATION.**

### PREPARATION

- Shut off the power at the circuit breaker and remove existing fixture, including the crossbar.
- Carefully unpack your new fixture and lay out all the parts on a clear area. Be careful not to lose any small parts necessary for installation.

### MOUNTING THE FIXTURE (Fig. 1)

- Remove the canopy screw (C) from the fixture, take out the ceiling plate.
- Drill holes in the wall aligned with the key holes located in the ceiling plate, insert the plastic anchor (E).
- First, secure the ceiling plate to the junction box using the original junction box screws. Second, fasten the ceiling plate to the ceiling using anchor screws (D).
- Note: (i) It is recommended to use only original junction box screws or replacements provided by junction box manufacturer; (ii) The side of the ceiling plate marked "GND" must face out, towards the installer.
- Hook the safety cord to the ceiling plate;
- Choose the number of the rods suitable for your application. Thread the fixture wire through the rods, adapter (F), swivel and canopy. Connect the fixture, rods, adapter (F) and swivel. Make sure all connections are tightened.
- Note: When connecting the adapter (F), first attach it to the rod, then attach it to the swivel.

### CONNECTING THE WIRES (Fig. 2)

- Connect the fixture wires with controller wires using wire connectors (B), connect the driver input wires to junction box wires using wire connectors (A) as shown in Fig. 2, make sure that all wire connectors are secured. Connect the fixture's ground wire to the ground in the junction box; this will be either a green wire or a bare copper wire. After fixture is wired to house wires, tuck wires carefully inside the junction box.

### DIMMING WIRING INFORMATION (Fig. 3)

- This fixture features electronic low voltage (ELV or TRIAC) or 0-10V dimming (Purple and Pink or Gray wires) capabilities. See notes below for specific dimming wires information.
- To utilize ELV or TRIAC dimming: use wires black (hot), white (neutral) and bare copper ground wire (ground).
- To utilize 0-10V dimming: use wire purple (dim+), pink or gray (dim-), black (hot), white (neutral) and bare copper ground wire (ground). NOTE: Make sure to connect 0-10V prior to power-up the fixture in order to allow the 0-10V dimming to function properly.
- The fixture has two available dimming function:
  - When the switch is turned to "35k" position, dimming is to adjust the brightness;
  - When the switch is turned to "CW" Position, dimming is to adjust the CCT from 2700K to 6500K while adjusting the brightness from dark to bright.

### COMPLETING THE INSTALLATION (Fig. 1)

- Secure the fixture to the ceiling plate use the canopy screw (C).
- Remove the cover, then tear off the protective film from the mirror acrylic.
- Replace the cover onto the mirror acrylic.
- For slope ceiling applications, rotate swivel at the top of the stem to ensure luminaire is aiming down (Fig. 4).