



**SCHONBEK®**

**CHANTANT  
CH4812N- \_\_ \_\_ H**



**T**HIS DESIGN IS THE PROPRIETARY  
TRADE DRESS/TRADE MARK OF  
SWAROVSKI LIGHTING, LTD.

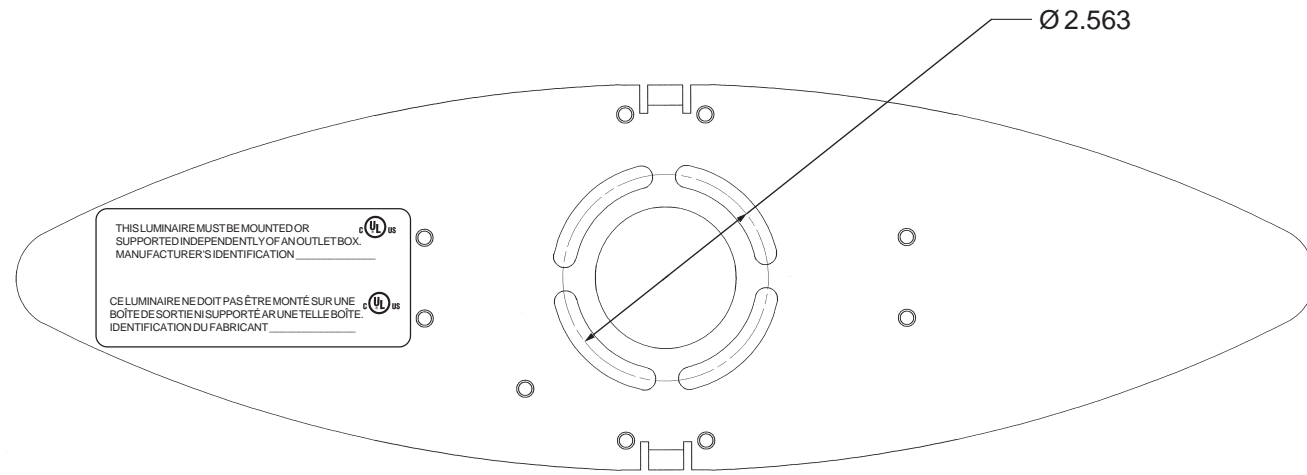
8 Lights  
Height: 27"  
Length: 43"  
Width: 22"  
Hanging Weight: 51lbs.



**SCHONBEK®**

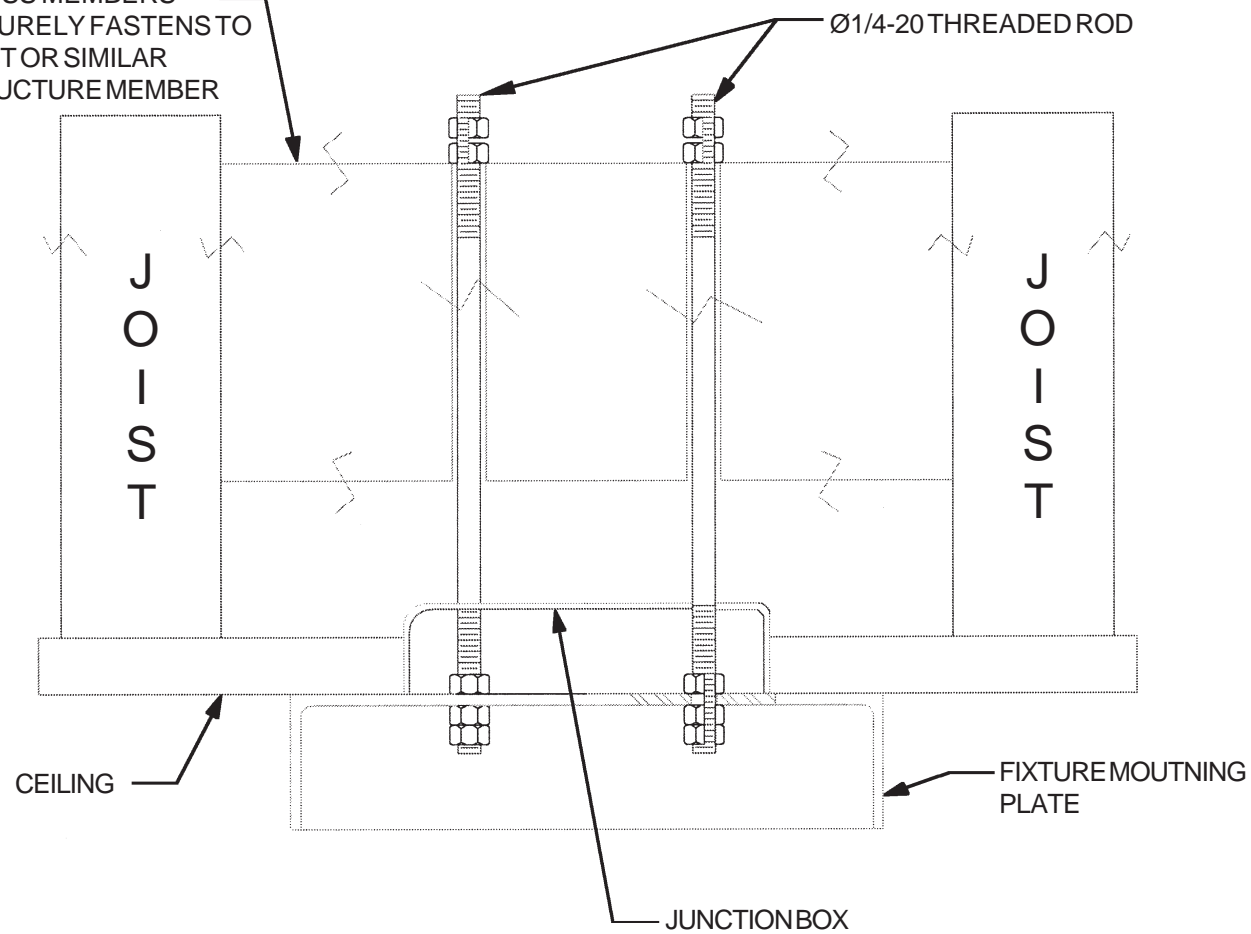
MAX <u>50</u> W	110-120 V						

**NOTE: INSTALLER IS SOLELY RESPONSIBLE FOR PROPER MOUNTING!**

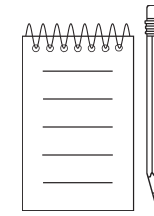


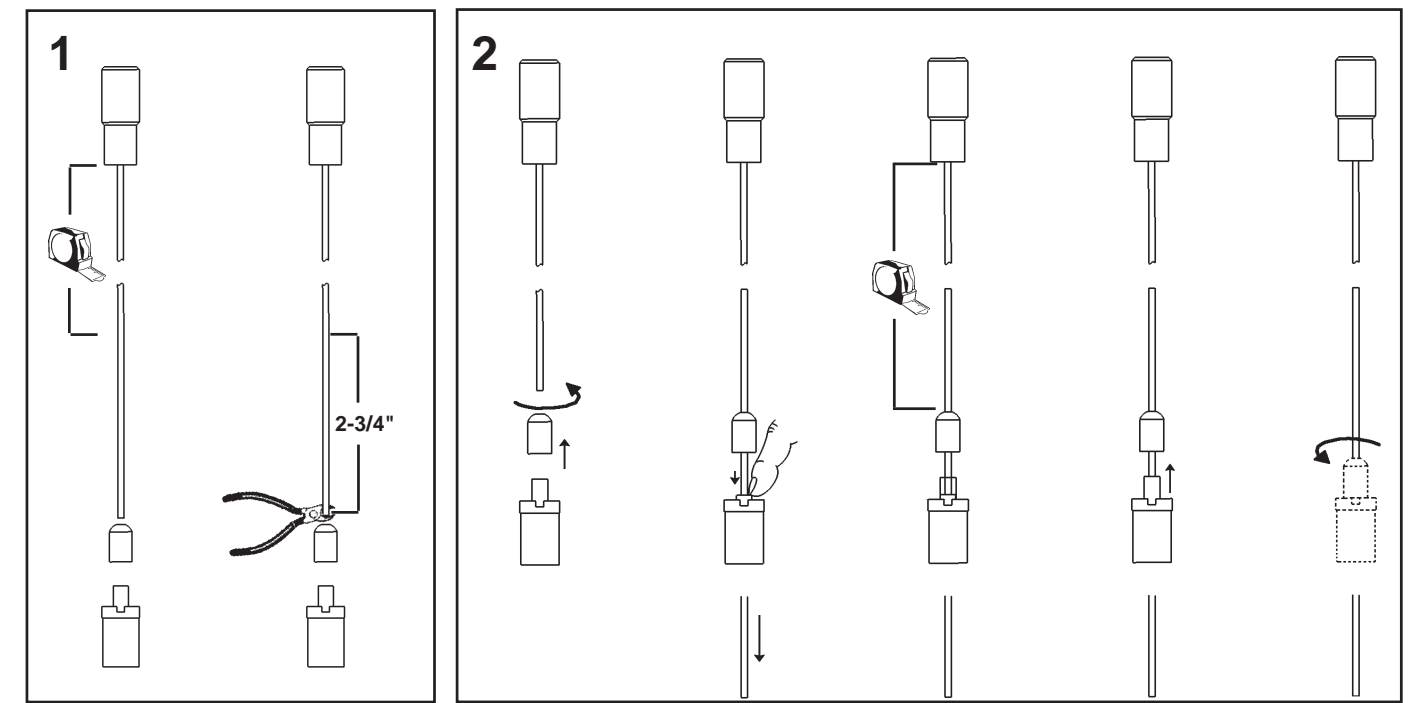
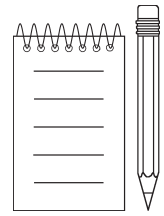
PLAN VIEW OF MOUNTING BRACKET


CROSS MEMBERS  
SECURELY FASTENS TO  
JOIST OR SIMILAR  
STRUCTURE MEMBER

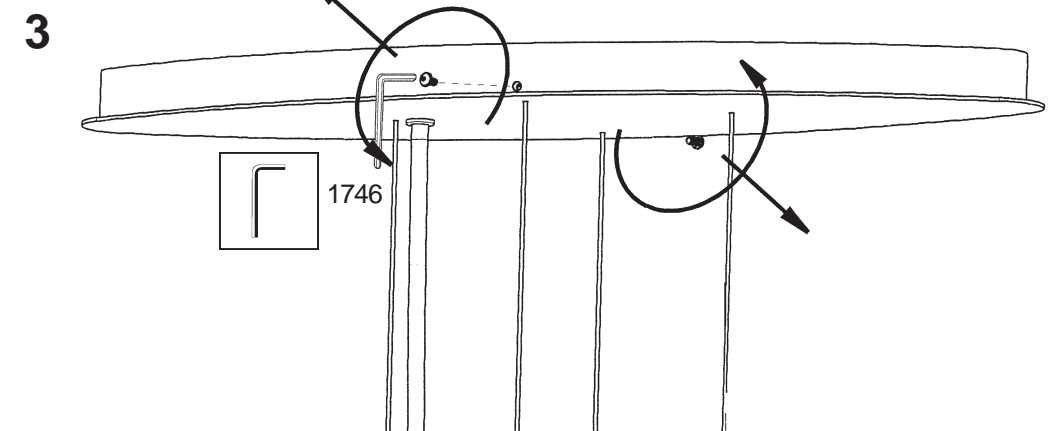


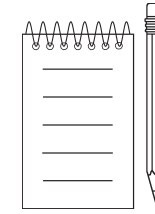
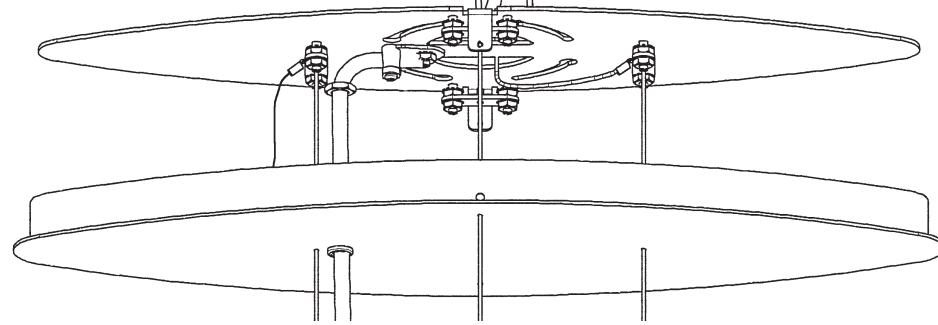
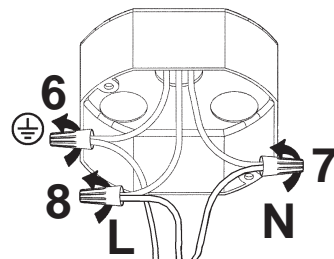
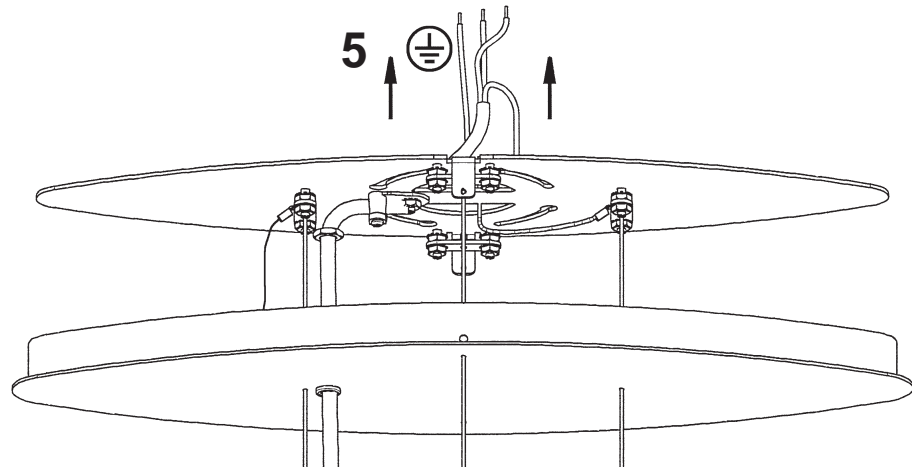
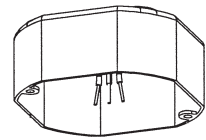
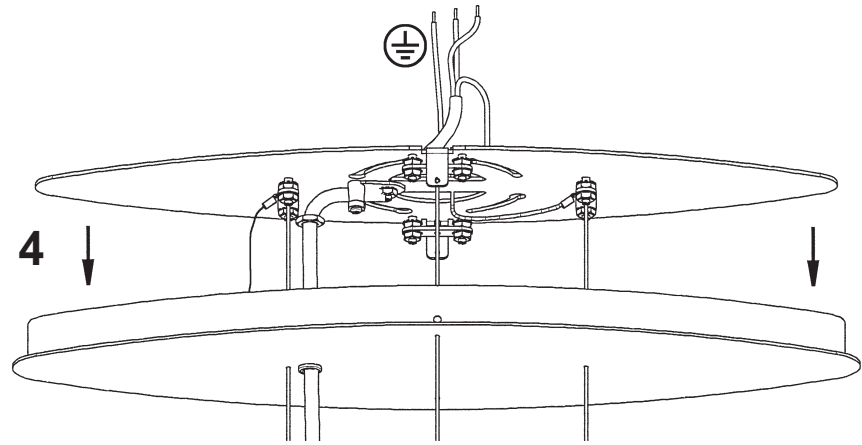
**WARNING:**  
MOUNTING CONFIGURATION AND HARDWARE MUST HOLD 4X THE WEIGHT OF THE FIXTURE. MOUNTING DESIGN AND FIXTURE INSTALLATION SHOULD BE CONDUCTED BY A QUALIFIED LICENSED PROFESSIONAL.

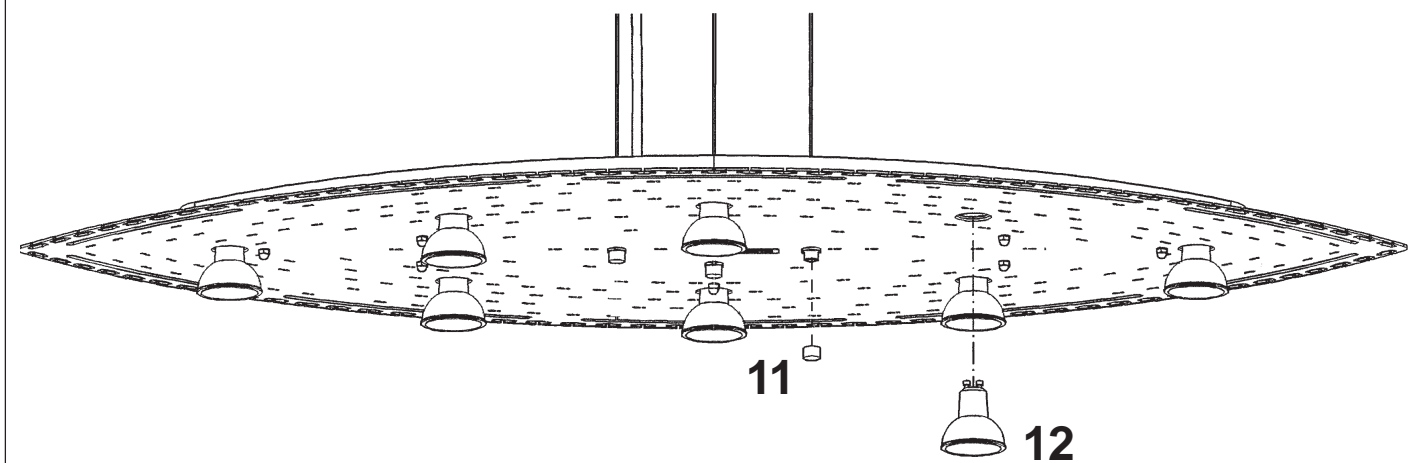
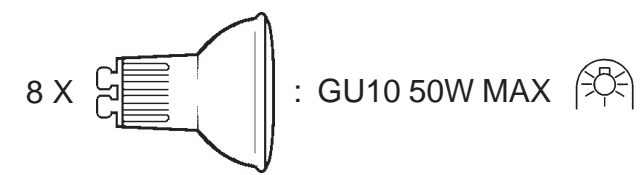
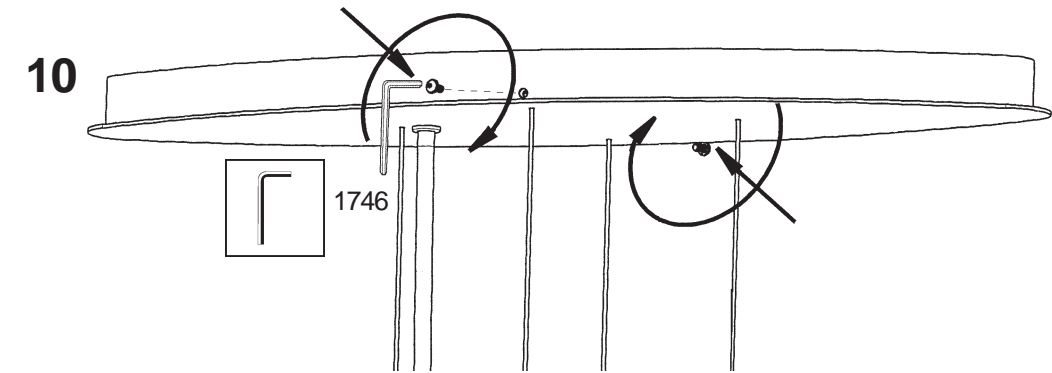
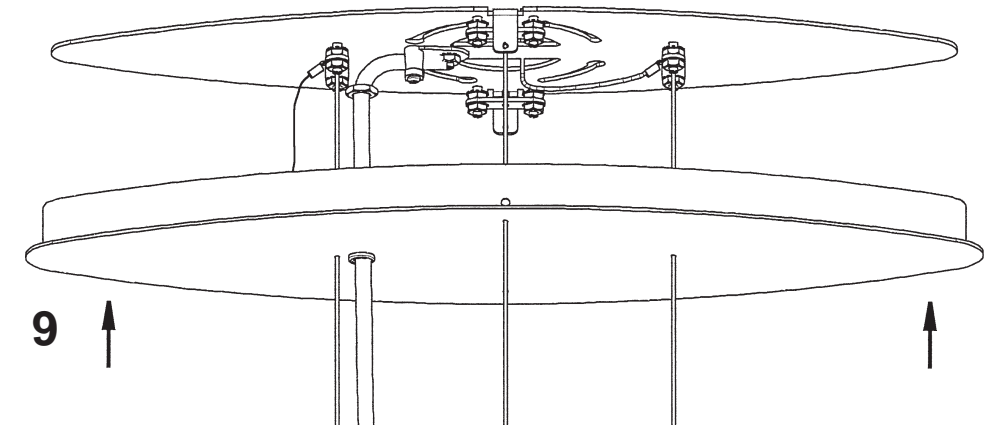
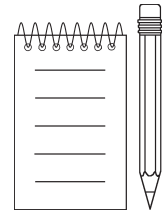


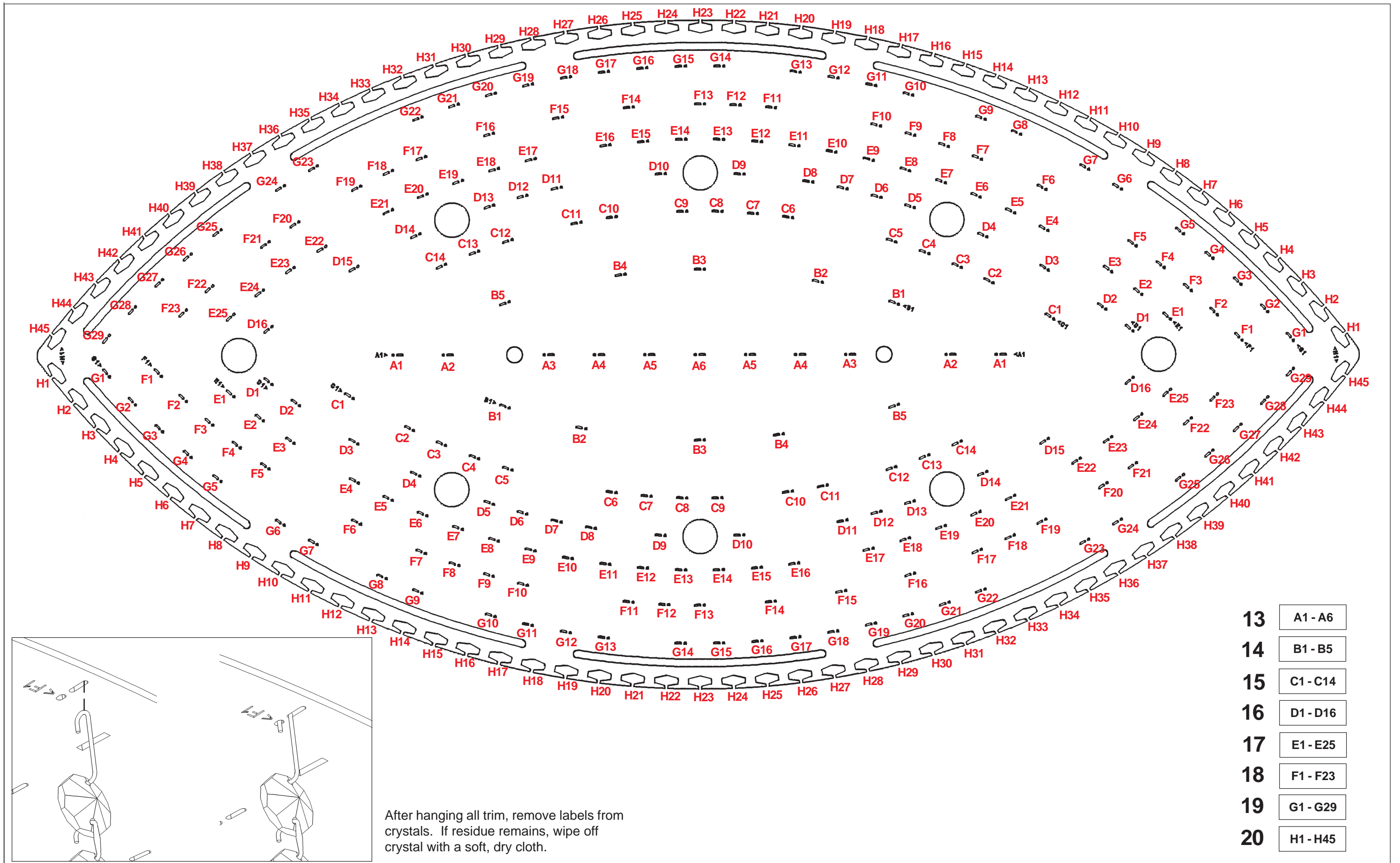


1X  : 1746









- 13** A1 - A6
- 14** B1 - B5
- 15** C1 - C14
- 16** D1 - D16
- 17** E1 - E25
- 18** F1 - F23
- 19** G1 - G29
- 20** H1 - H45

After hanging all trim, remove labels from crystals. If residue remains, wipe off crystal with a soft, dry cloth.