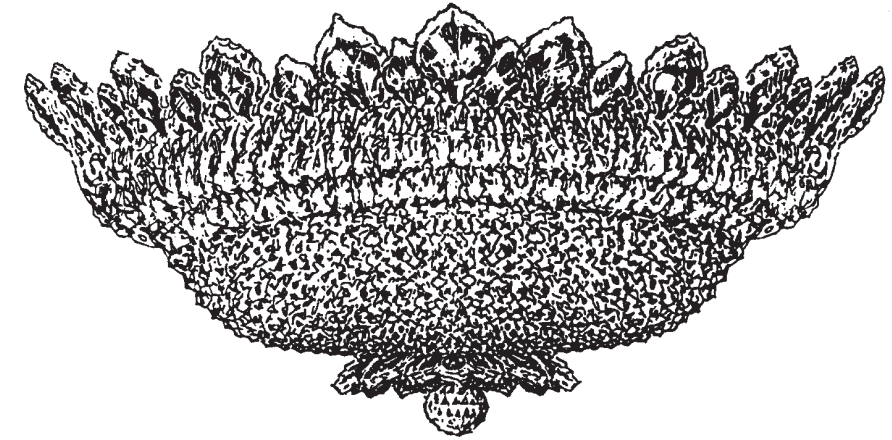


# SCHONBEK®

## CHANDELIER 5868-\_\_\_\_S TRIM DIAGRAM (Finish Option)



THIS DESIGN IS THE PROPRIETARY  
TRADE DRESS/TRADEMARK OF  
SWAROVSKI LIGHTING, LTD.

10 Lights  
Diameter: 24"  
Body Length: 11-1/2"

# SCHONBEK®

CAUTION... RISK OF ELECTRICAL SHOCK. Make sure the electrical supply to the chandelier is turned off at the main fuse or circuit breaker before doing any installation. All electrical components must be installed by a licensed electrician in accordance with the National Electric Code and the appropriate local electrical codes.

HANGING WEIGHT: 19 lbs.

BULBS: (8) Candle shaped candelabra base B10 bulbs, recommend 25 watts for best appearance.

(2) Globe shaped candelabra base G16-1/2 bulbs, recommend 25 watts for best appearance.

40 - Watts Maximum

MIN 75°C SUPPLY CONDUCTORS

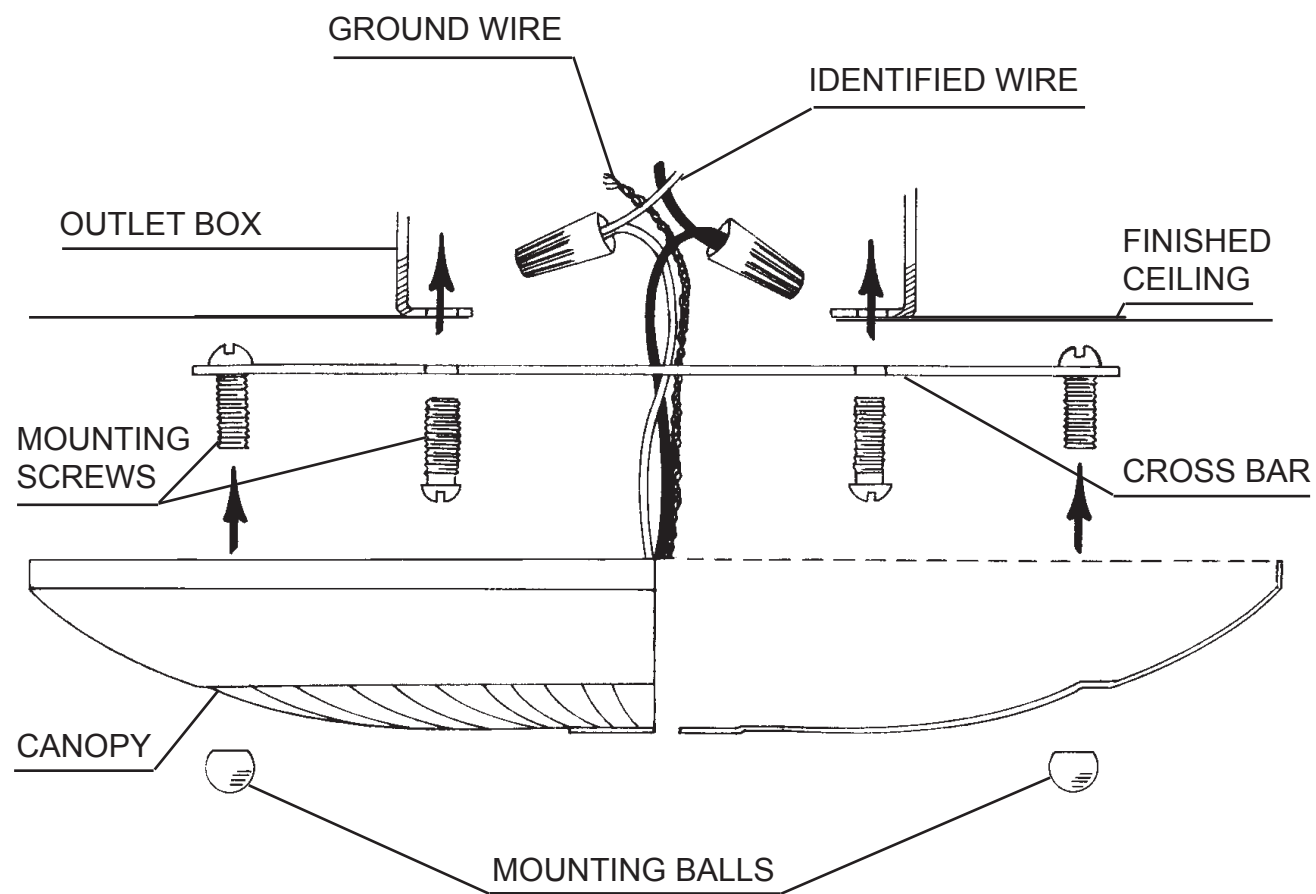
WARNING: This chandelier meets UL/CSA requirements. Any tampering will void UL/CSA certification.

**Follow steps in exact order**  
**Save this trim diagram for future reference**

### IMPORTANT

*Please record the following information for future service.*

CODE	# _____	Four-digit number on outside of carton.
PACKER	# _____	See crystal package label.
ORDER	# _____	See crystal package label.



**1 MAKE SURE POWER IS DISCONNECTED!!**

**2** Attach crossbar to outlet box.

**3** Again, make sure that power to the outlet box is disconnected. Attach stem wires to power wires in outlet box. Fixture **MUST** be properly grounded.

**4** Attach canopy to ceiling with mounting balls, thereby retaining complete fixture against ceiling.

**5** Screw bulbs into all sockets. Test power to insure proper wiring before hanging trim from fixture.

## MAINTENANCE:

Use a soft, lint - free cloth to clean the metal frame.

**UNDER NO CIRCUMSTANCES SHOULD METAL POLISHES, CLEANERS, ABRASIVES OR AEROSOL SPRAYS BE USED.**

While the latest finishing techniques have been used on the metal frame, such finish cannot be unconditionally guaranteed. The main cause of deterioration, apart from certain atmospheric conditions, is improper cleaning.

To clean the crystals, polish with a damp chamois.

You are cleaning delicate jewelry... Take the greatest care.

## IMPORTANT:

Do not clean crystals in a dishwasher. The finish of the metal clips and hangers will be ruined and the crystals may be damaged.

### Installation of Crystal "B"

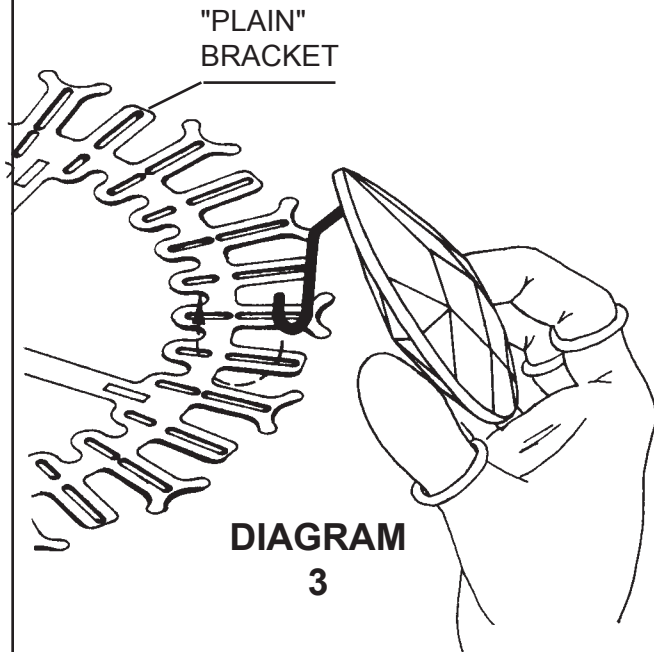


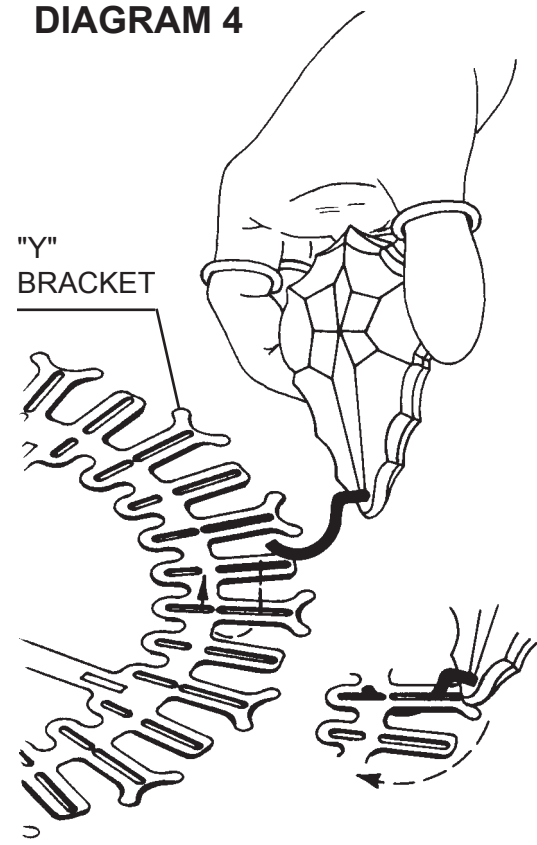
DIAGRAM 3

Position the crystal above the "plain" bracket so that the end of the hook enters the slot, gently push toward the center of the fixture and raise the crystal making sure that the end of the hook comes up through the inner slot, in line with the outer slot.

With the hook in the bracket, as shown, pivot the crystal downwards so that the hook rests in the end of the outer slot.



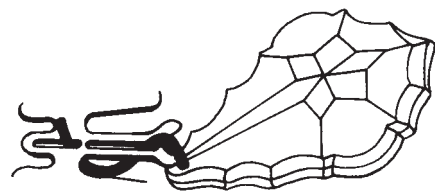
DIAGRAM 4



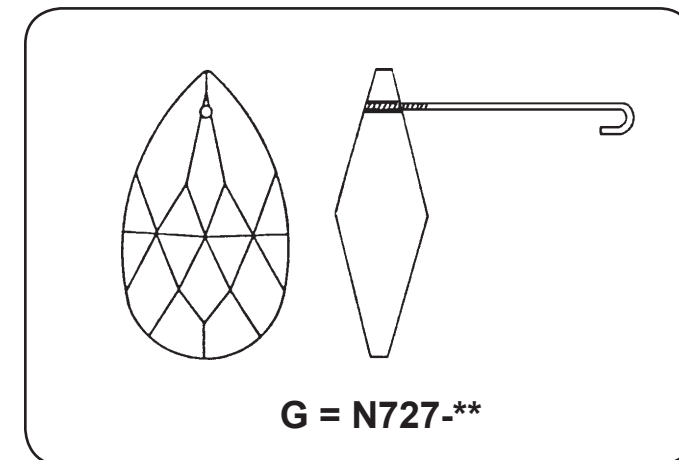
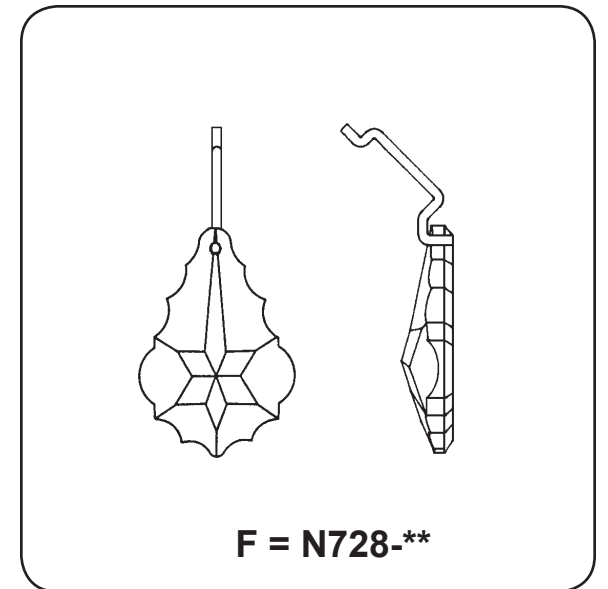
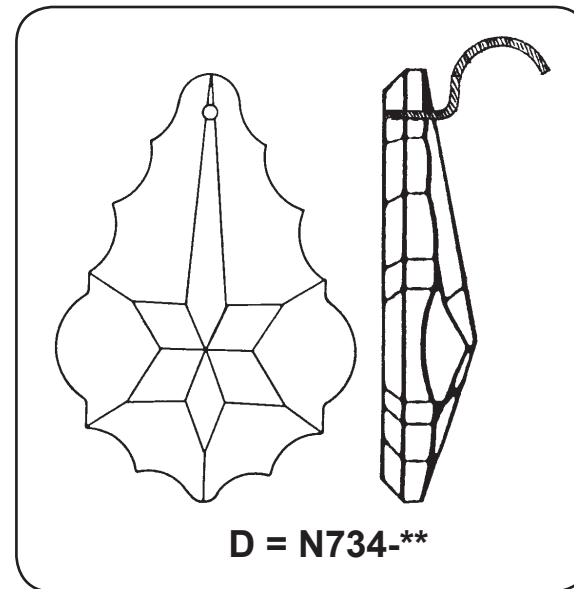
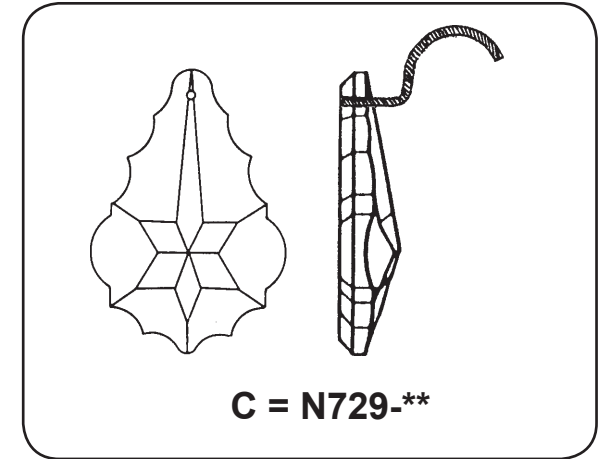
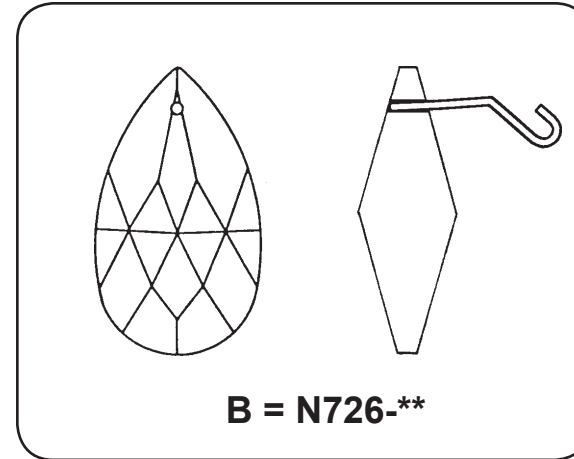
### Installation of Crystal "C" and "D"

Position the crystal above the "Y" bracket so that the end of the hook enters the long slot, gently push toward the center of the fixture and raise the crystal making sure that the end of the hook comes up through the short slot, in line with the long slot.

With the hook in the bracket, as shown, pivot the crystal downwards so that the hook rests in the end of the long slot.



## TRIM ID SHEET FOR ORDERING SPARE PARTS. PLEASE SAVE FOR CLEANING FIXTURE!



**6** Screw finial assembly onto bottom of chandelier. Hook Crystal Chain "E" (large crystal towards top) into the ring 2. Allow bottom of chain to hang freely.

**7** Hook Crystal "F" into the washer on the finial assembly. See diagram 1 for detailed instructions.

**8** Hook the bottom of Chains "E" into the washer. Close bottom hook after inserting into washer.

**9** Hook Crystal "G" into the back slot of the "Y" bracket of ring 1. See diagram 2 for detailed instructions.

**10** Hook Crystal "B" into the "plain" bracket of ring 1. See diagram 3 on page 6.

**11** Hook small Crystal "C" into every second "Y" bracket of ring 1. See diagram 4 on page 6.

**12** Hook large Crystal "D" into the remaining "Y" brackets of ring 1. See diagram 4 on page 6.

