



SCHONBEK®

ARLINGTON 1301H



THIS DESIGN IS THE PROPRIETARY TRADE DRESS/TRADEMARK OF SWAROVSKILIGHTING, LTD.

2 Lights
Diameter: 14-1/2"
Body Length: 16"
Extension: 6"
Hanging Weight: 5 lbs.

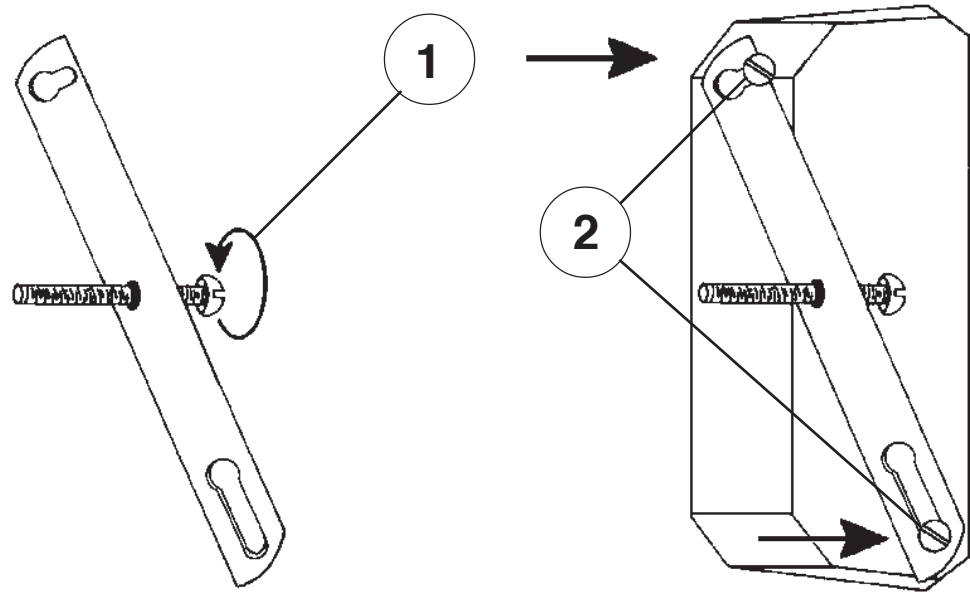


SCHONBEK®

MAX 60 W		110-120 V						

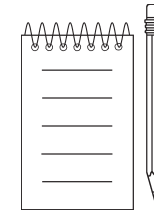
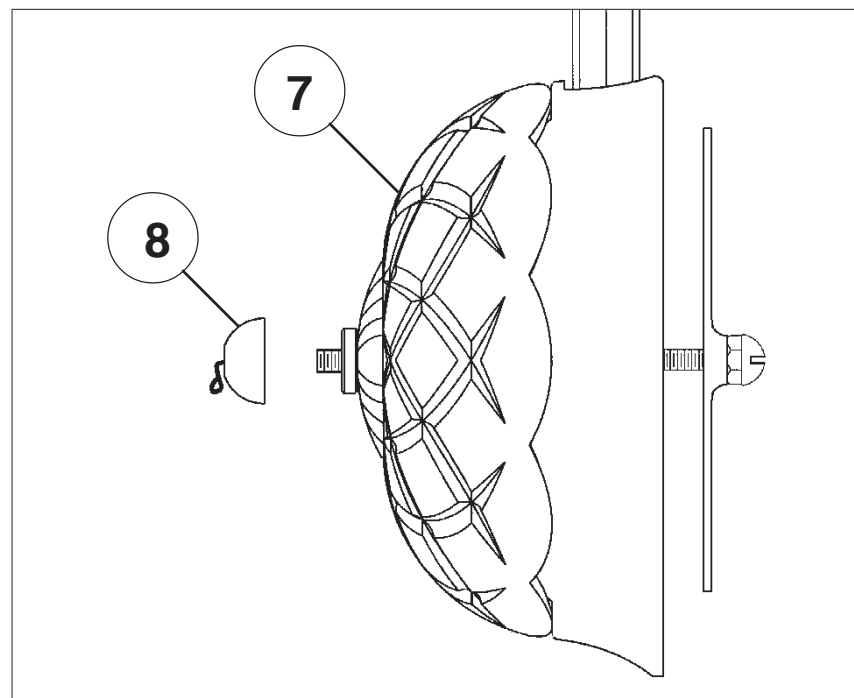
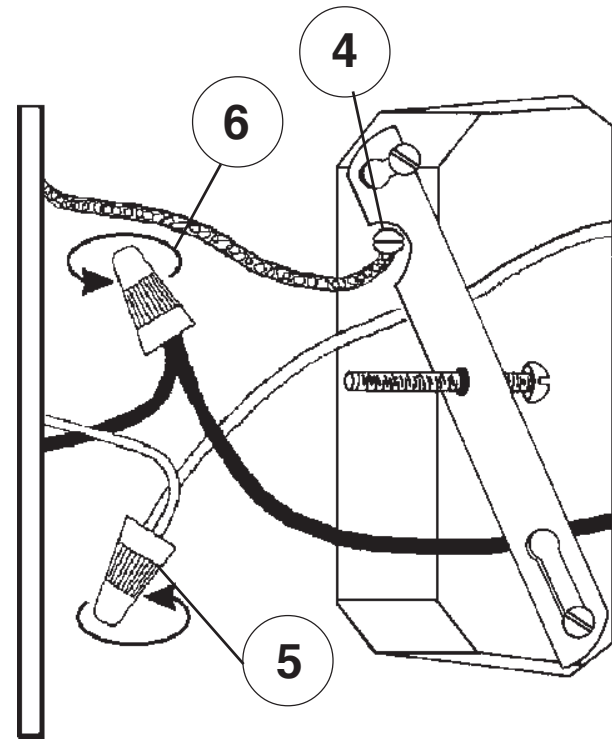
SCHONBEK® is a member of the Swarovski group.

All electrical components must be installed by a licensed electrician in accordance with the National Electric Code and the appropriate local electrical codes.

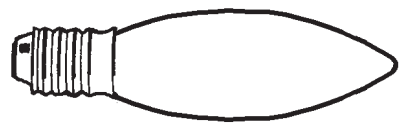


3
Turn arms to line up holes in arms with dimple in plate. Tighten lock washer and nut to secure arms in place.

Diagram 3 is a close-up showing the arm's hole being aligned with the dimple on the backplate. A lock washer and nut are being used to secure the connection.



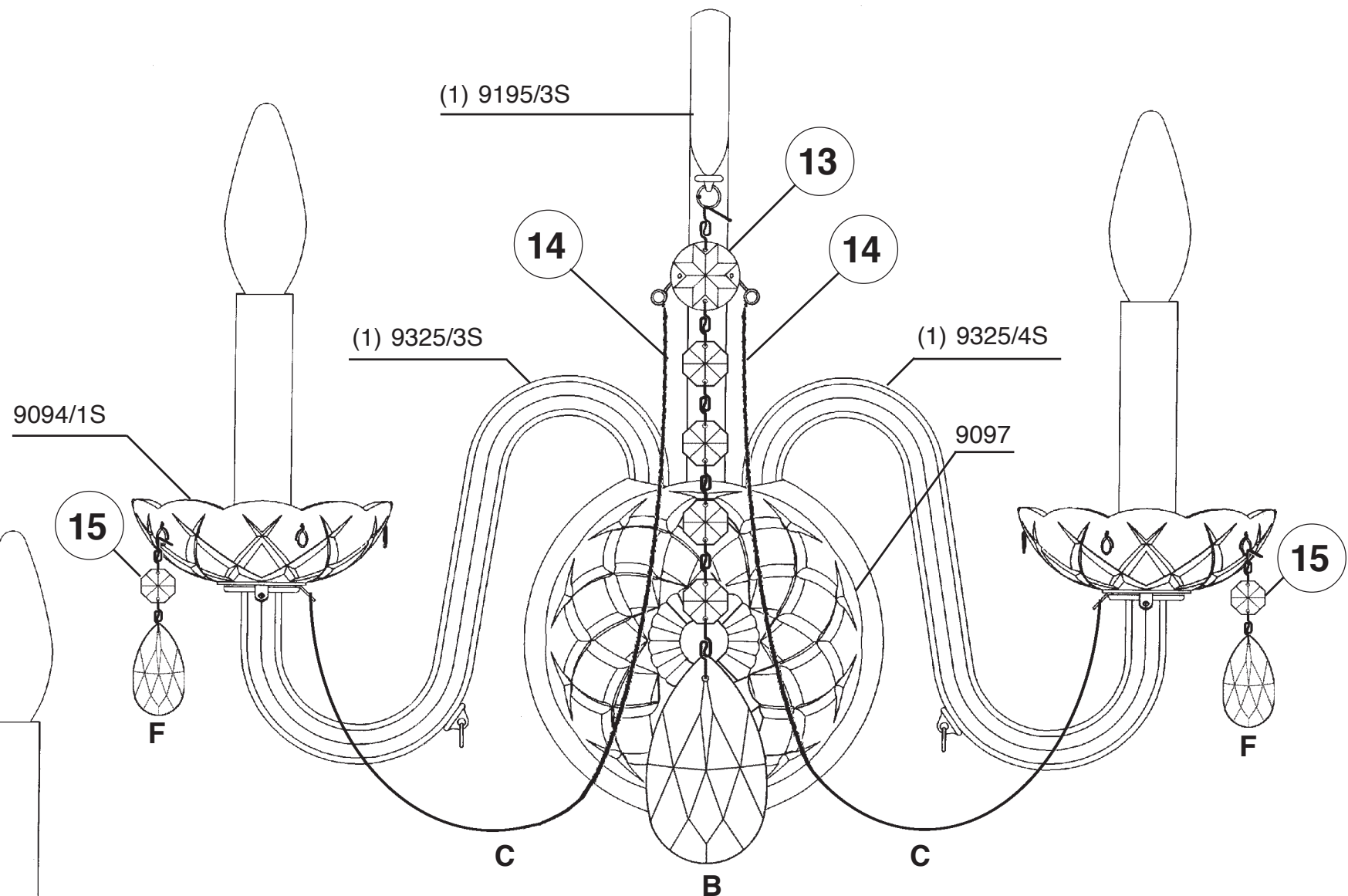
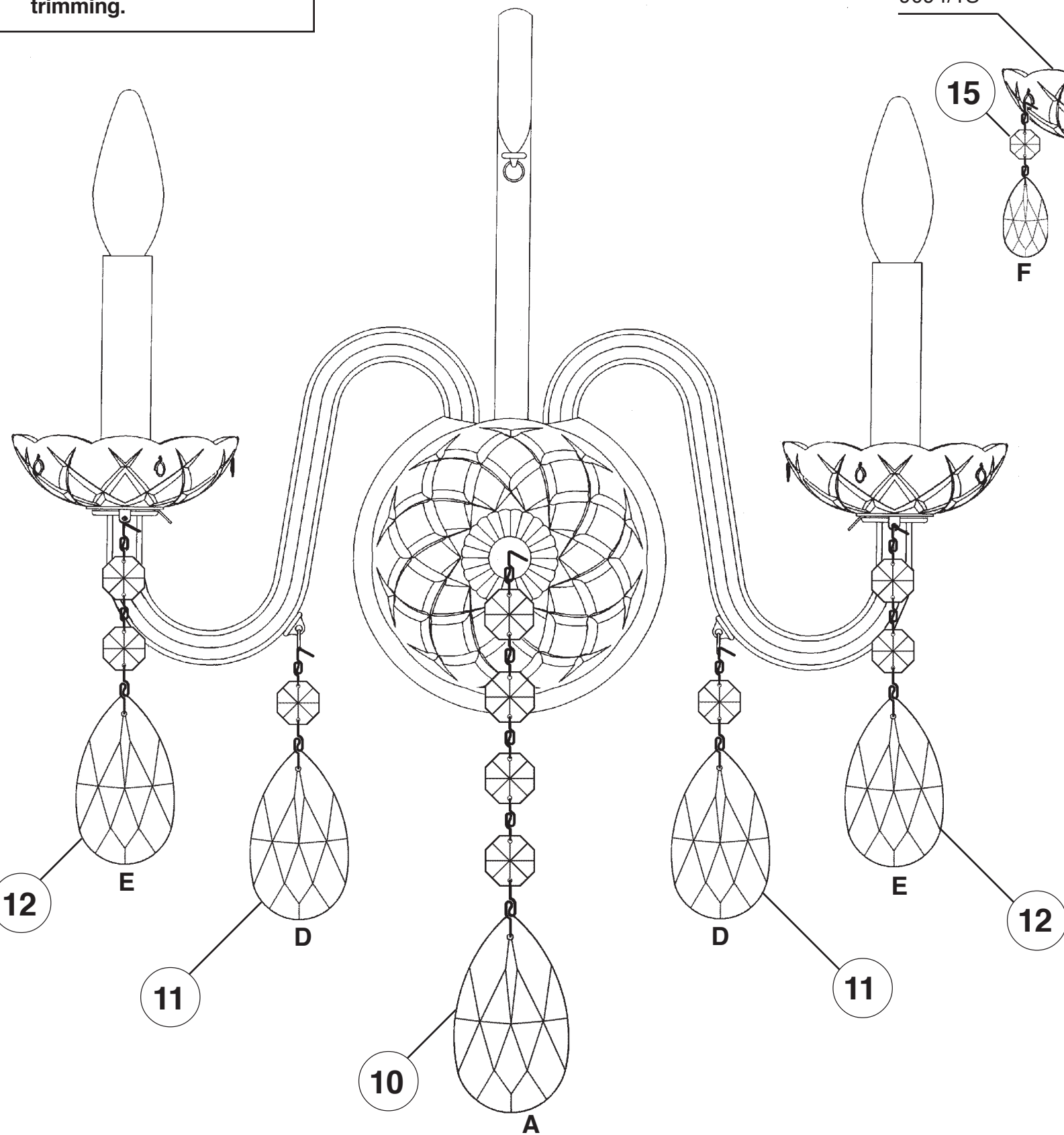




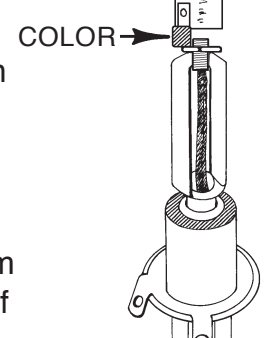
9

You will need 2 - B10
25 Watts Recommended
60 Watts Max

Install bulbs and be sure
to test fixture **BEFORE**
trimming.



CAUTION: Glass parts are fragile.
To avoid breakage use care when
assembling or cleaning.



**WHEN ORDERING REPLACEMENT
ARM(S):**

- ! Give arm number from trim diagram
- ! Give color code from the arm itself

