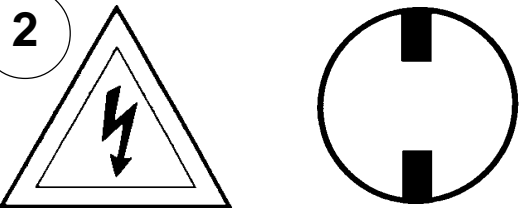


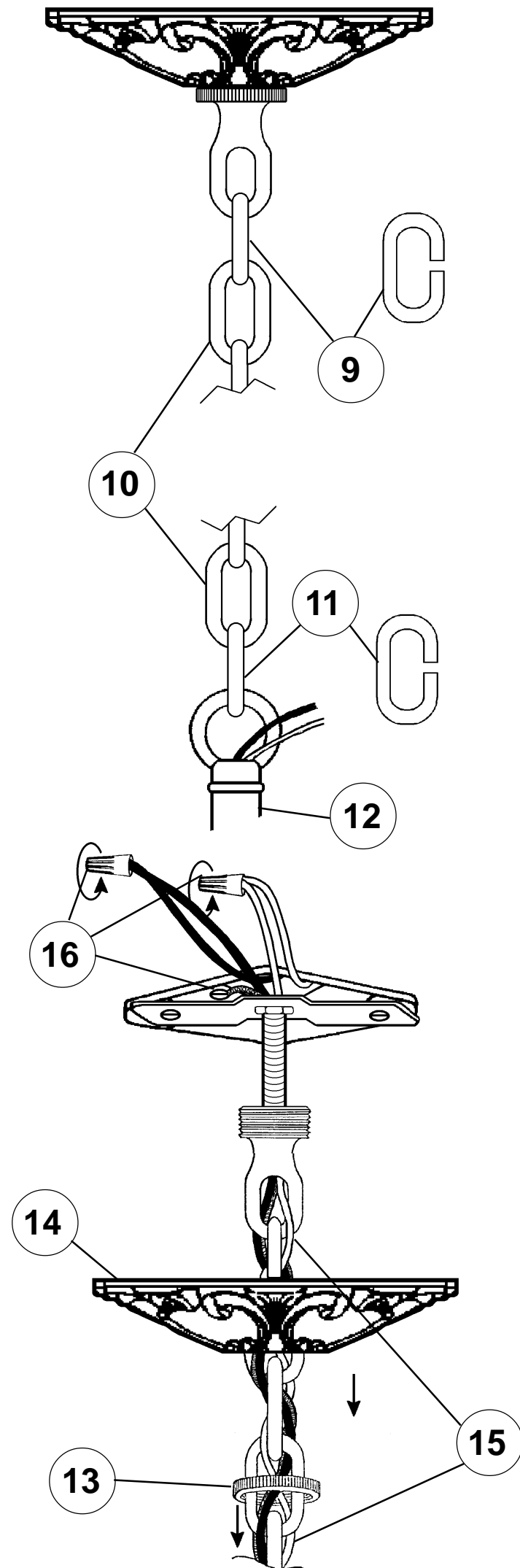
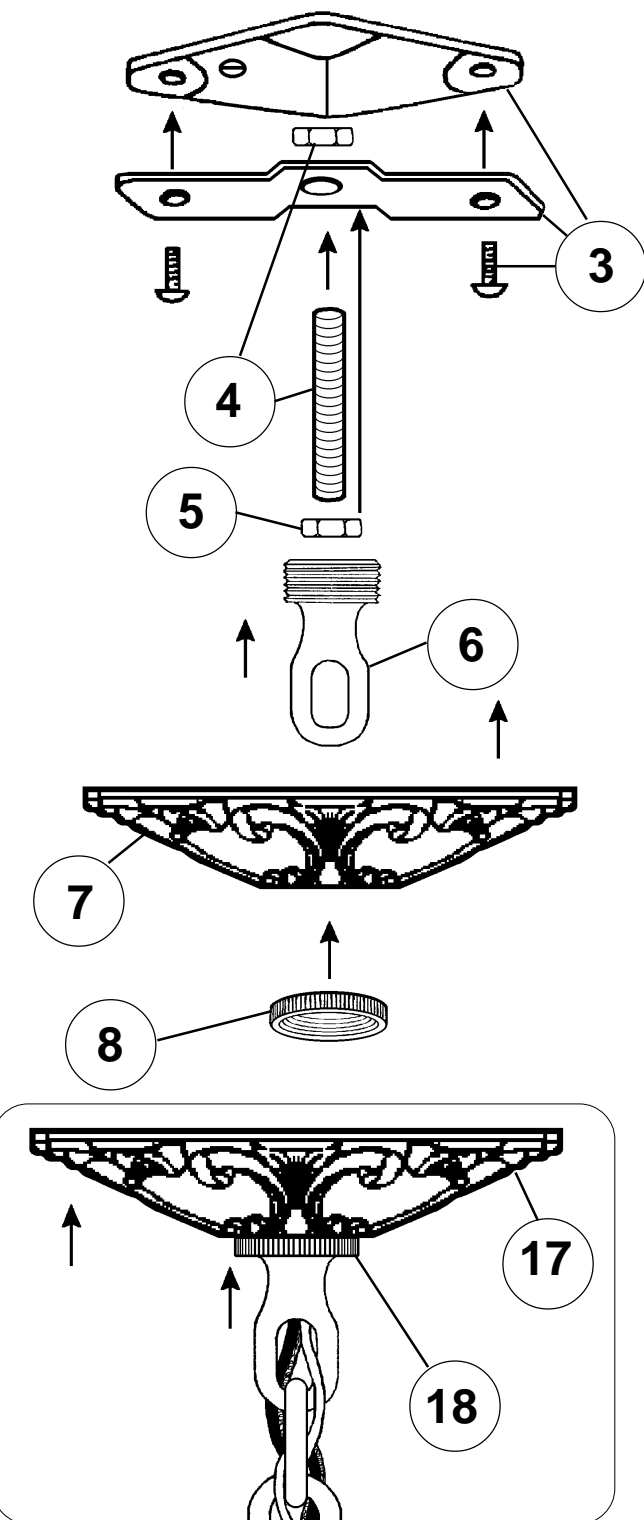
Instructions for electrician  
STEPS 2 - 18

WARNING:



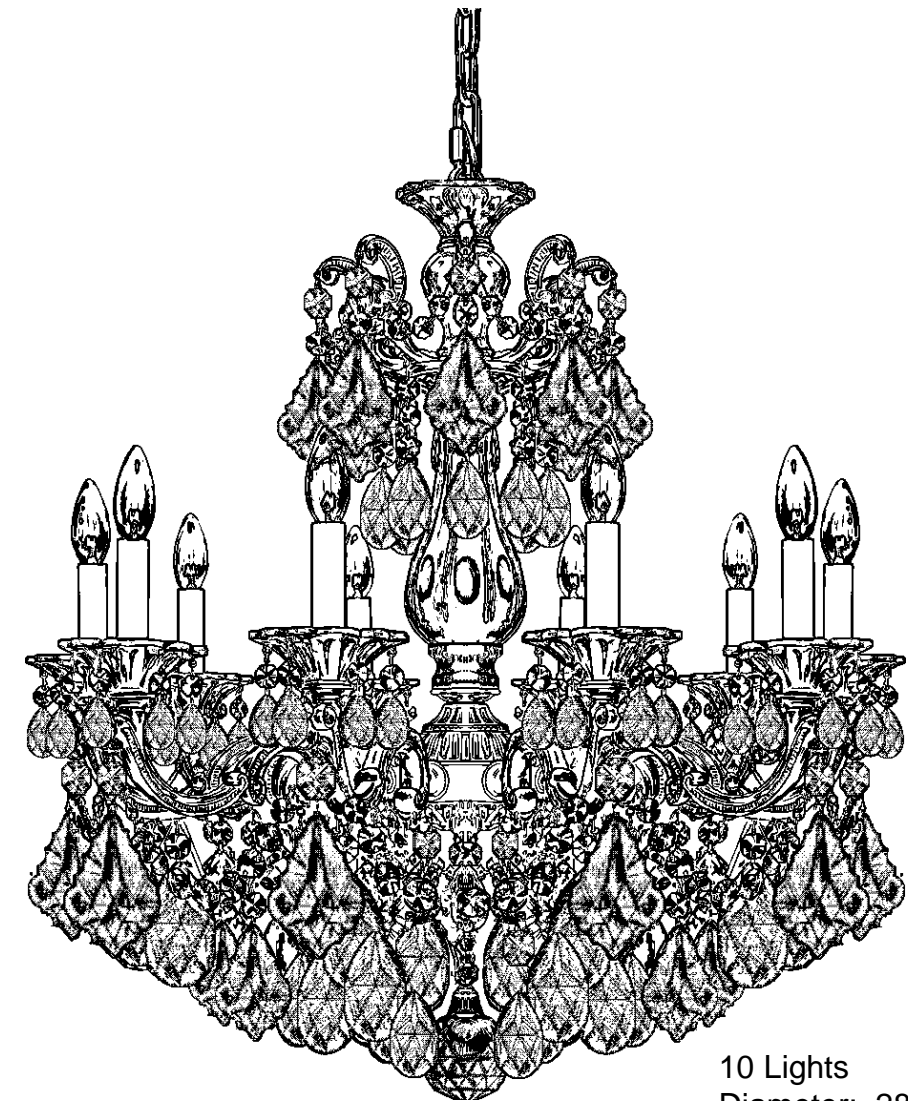
Electrical Danger Turn Power Off

All electrical components must be installed by a licensed electrician in accordance with the National Electric Code and the appropriate local electrical codes.



CHANDELIER 5074- \_\_\_ \_\_\_ A TRIM DIAGRAM

(Finish Option)



10 Lights  
Diameter: 28"  
Body Length: 30"  
Hanging Weight: 35 lbs.

THIS DESIGN IS THE PROPRIETARY TRADE DRESS/TRADE MARK OF SCHONBEK WORLDWIDE LIGHTING INC.

**SCHONBEK®**

See diagram on back page  
Follow steps in exact order  
Save this trim diagram for future reference

1

**IMPORTANT**  
Person who opens carton should record the following information for future service.

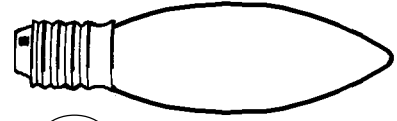
CODE # \_\_\_\_\_ Four-digit number on outside of carton.  
PACKER # \_\_\_\_\_ See crystal package label.  
ORDER # \_\_\_\_\_ See crystal package label.

SCHONBEK IS A WORLD LEADER IN CHANDELIER DESIGN. PATENTS INCLUDE:

#D292,620, #D335,362, #D335,546, #D335,716, #D335,720, #D336,537, #D338,082, #D389,264, #D338,278, #D339,879, #D345,815, #D373,441, #D374,102, #D374,103, #D374,498, #D382,077, #D393,325, #D397,495, #D397,494, #D403,101, #D435,686, #D454,973, #D454,974, #D455,224, #D456,940, #D463,602S, #D463,603S, #D464,769S, #D468,480, #2,651,806, #5,104,082, #5,109,325, #5,116,009, #5,144,541, #5,205,644, #5,222,805, #5,241,460, #5,255,173, #5,258,900, #5,285,364, #5,404,285, #5,460,269, #5,567,046, #5,567,468, #5,573,330, #5,577,838, #5,588,744, #5,873,652, #5,906,430, #5,921,668 & #6,241,370B1

**Instructions for crystal trimming**

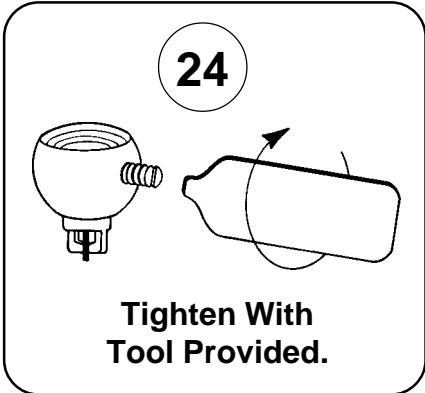
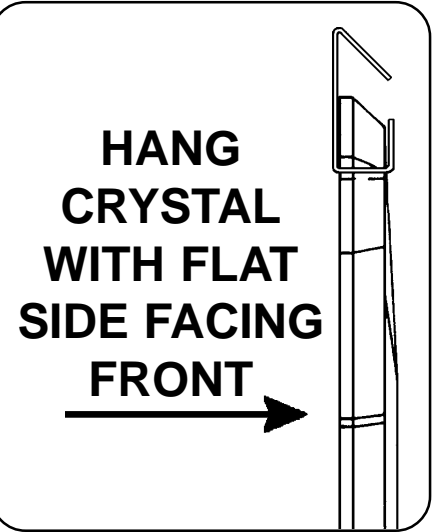
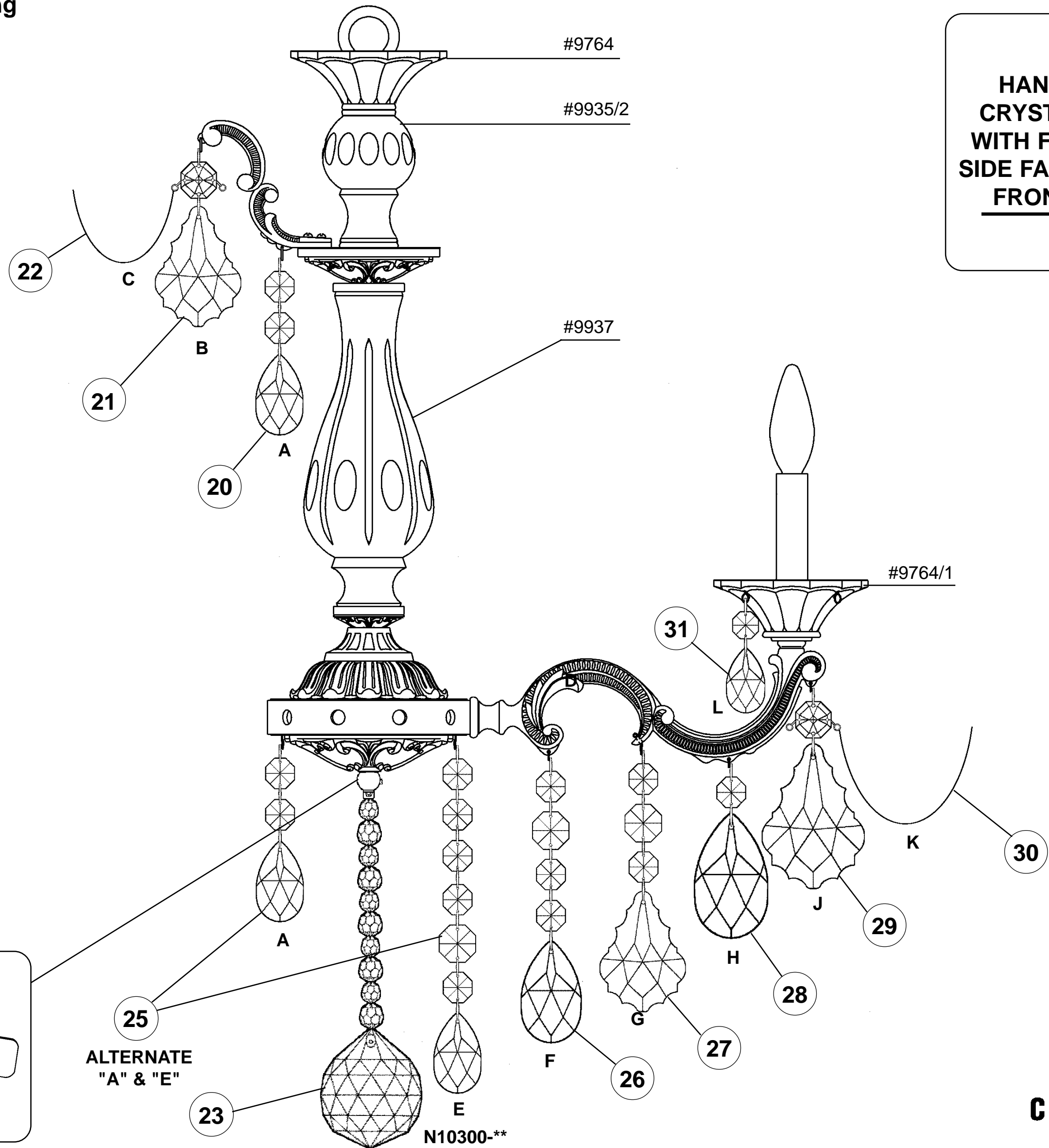
**STEPS 19 - 31**



**19**

You will need 10 - C10  
25 Watts Recommended  
60 Watts Max

Install bulbs and be  
sure to test fixture  
**BEFORE** trimming.



ALTERNATE  
"A" & "E"

N10300-\*\*

