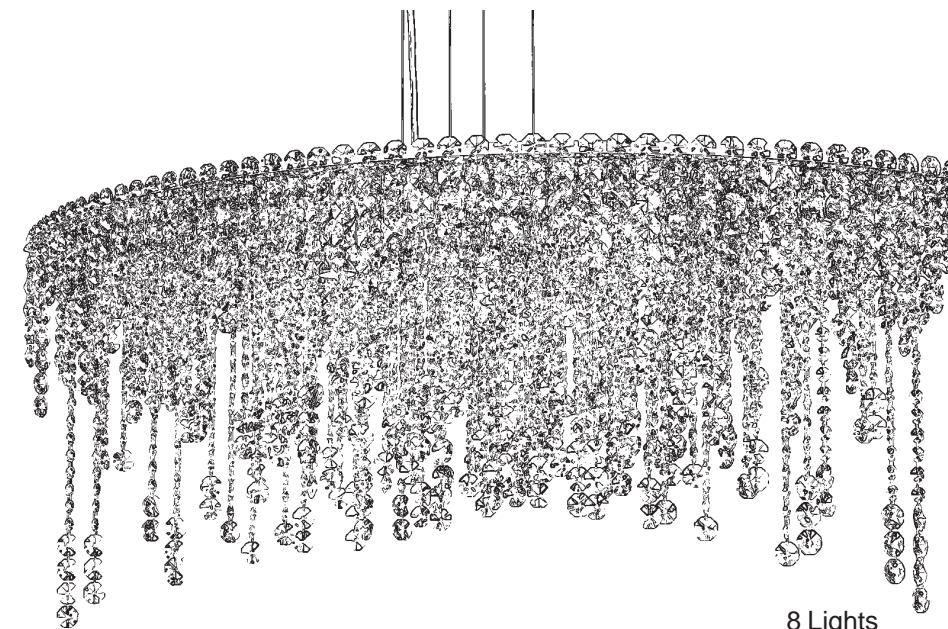




SCHONBEK®

CHANTANT CH4811N- __ __ H



THIS DESIGN IS THE PROPRIETARY
TRADE DRESS/TRADE MARK OF
SWAROVSKI LIGHTING, LTD.

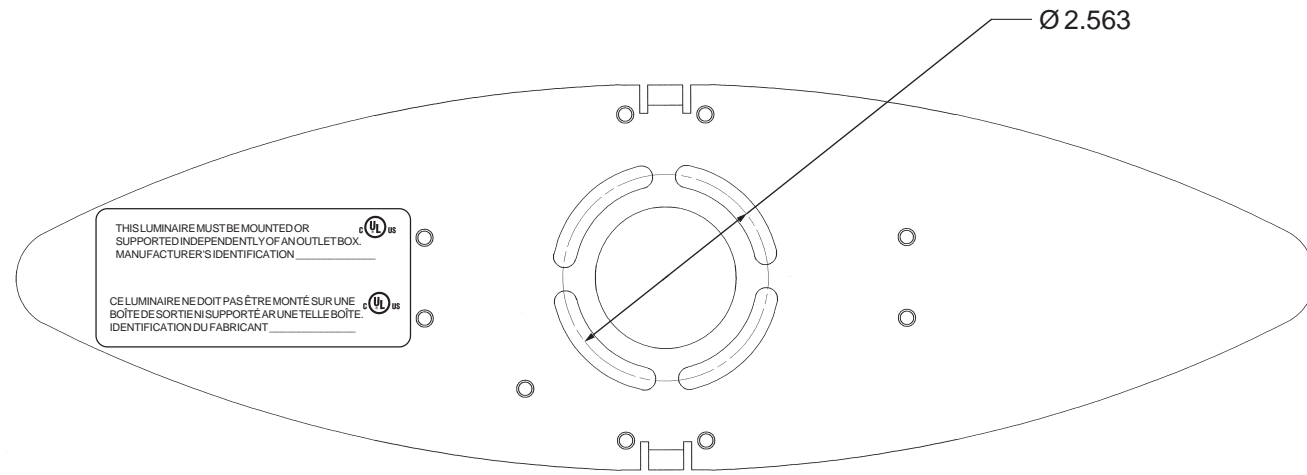
8 Lights
Height: 18-1/2"
Length: 43"
Width: 22"
Hanging Weight: 43lbs.



SCHONBEK®

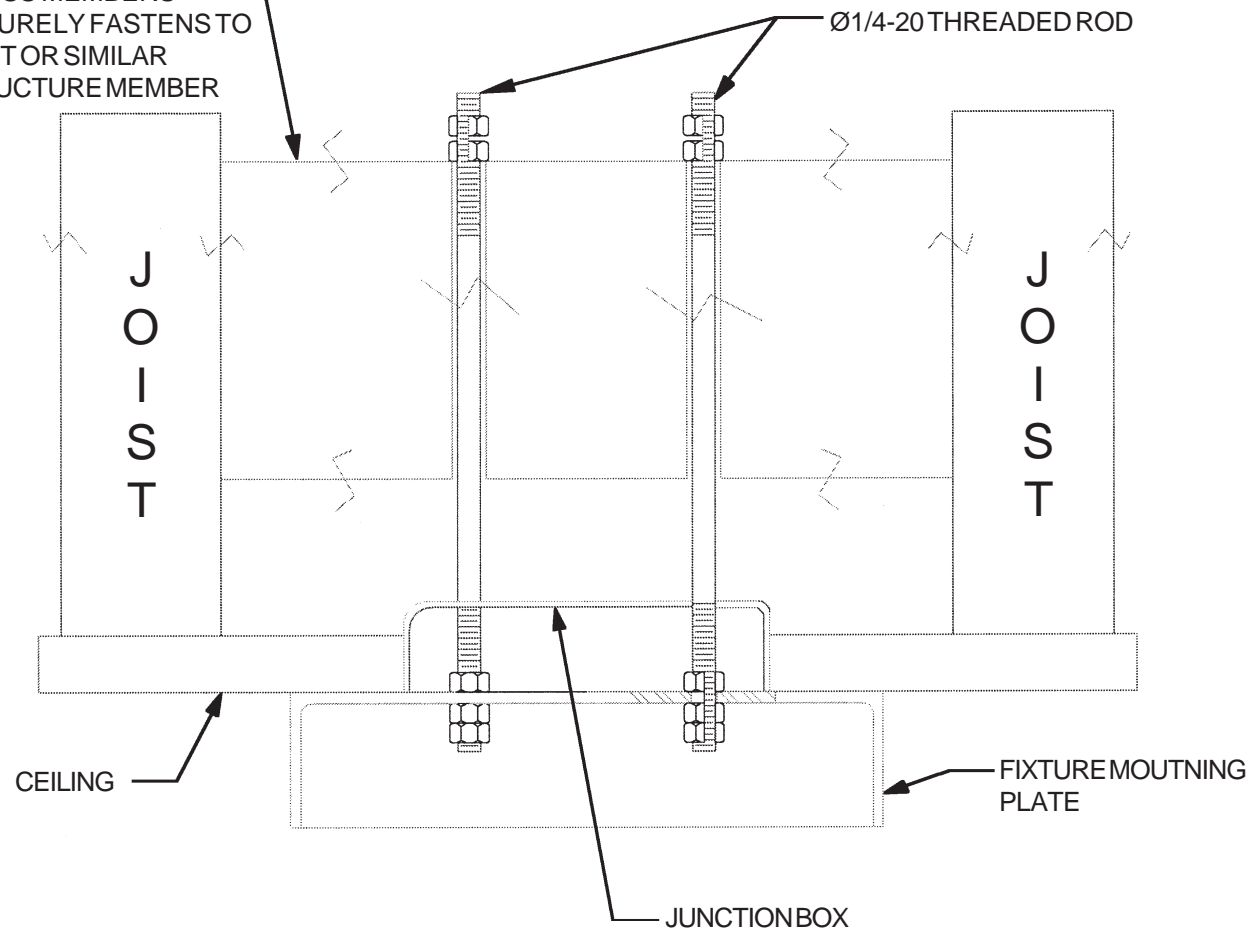
MAX 50 W		110-120 V						

NOTE: INSTALLER IS SOLELY RESPONSIBLE FOR PROPER MOUNTING!

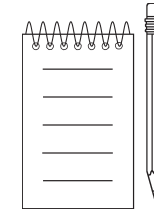


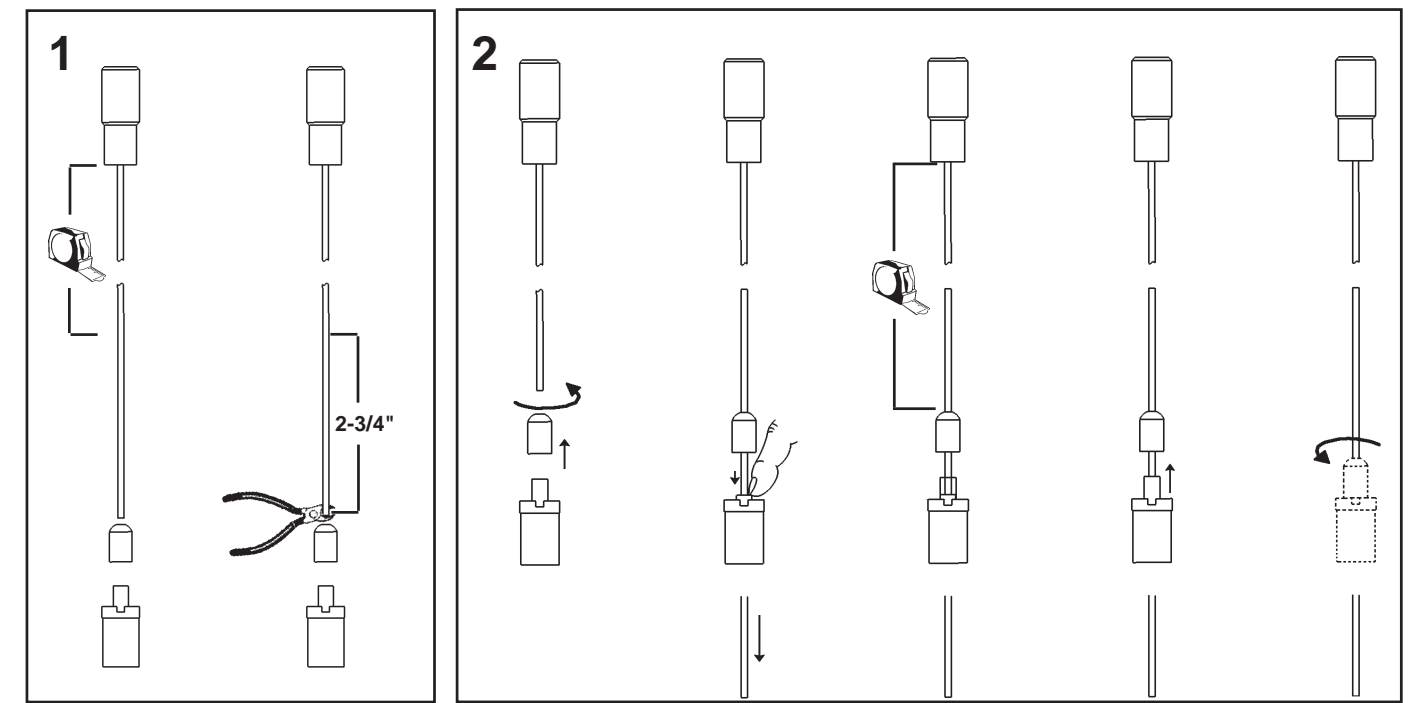
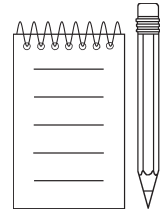
PLAN VIEW OF MOUNTING BRACKET


CROSS MEMBERS SECURELY FASTENS TO JOIST OR SIMILAR STRUCTURE MEMBER

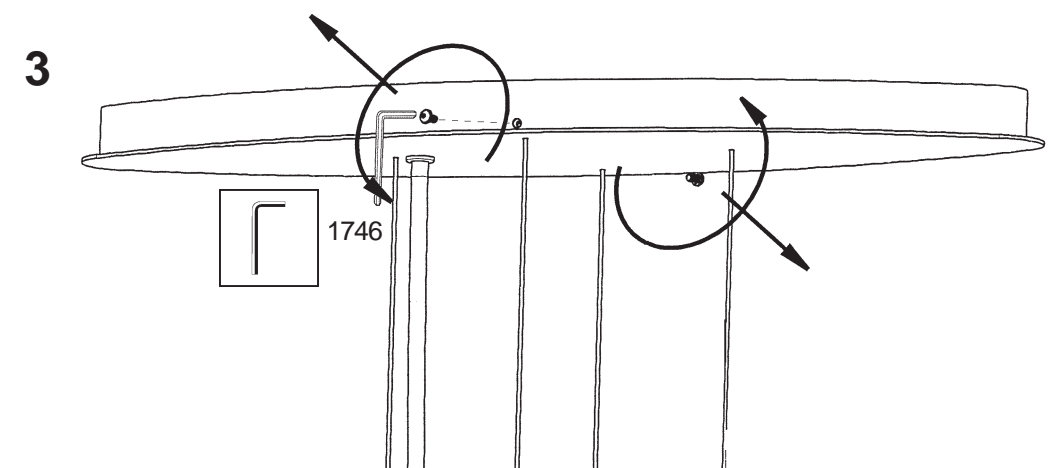


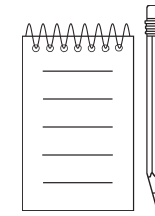
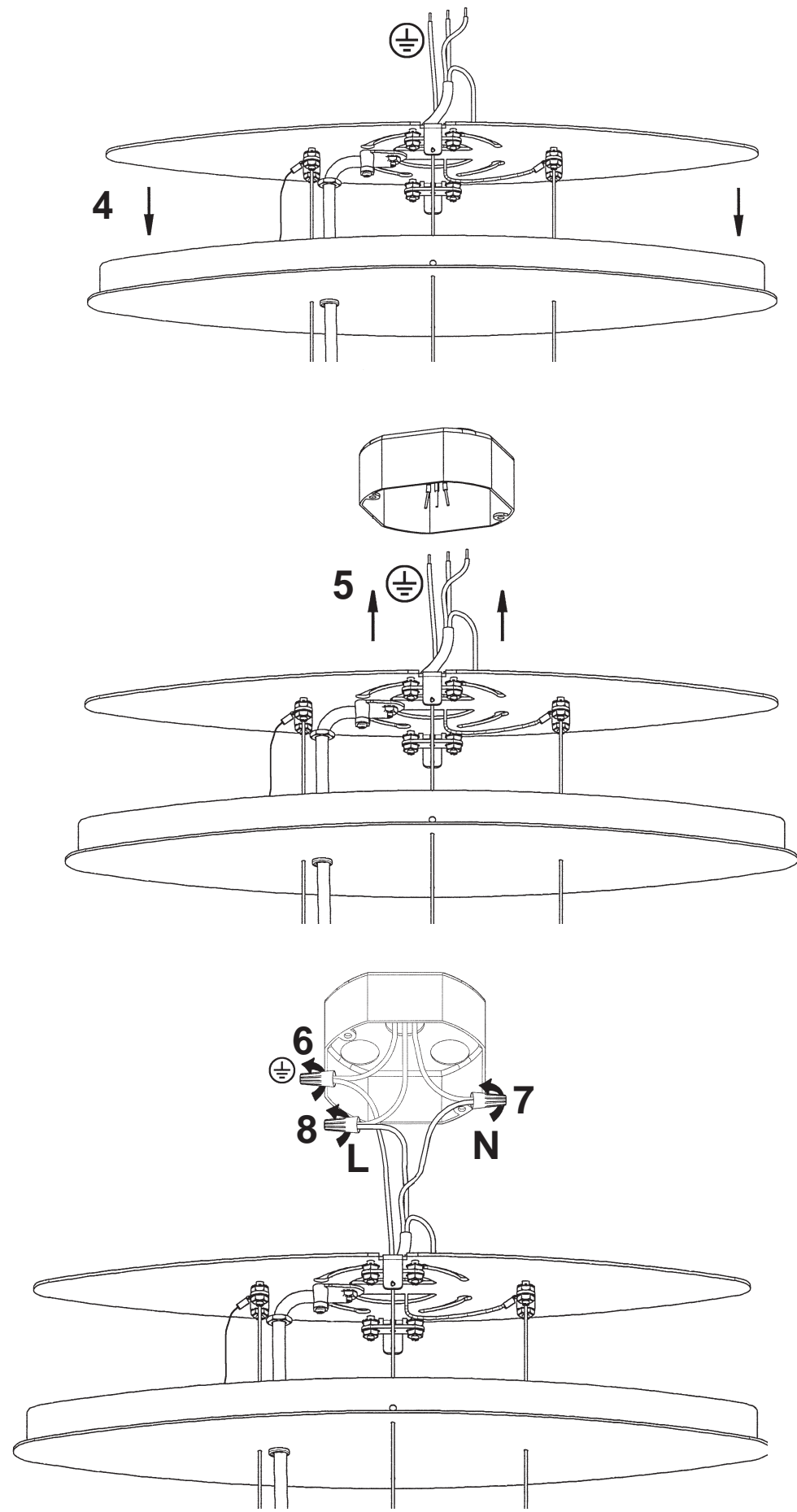
WARNING:
MOUNTING CONFIGURATION AND HARDWARE MUST HOLD 4X THE WEIGHT OF THE FIXTURE. MOUNTING DESIGN AND FIXTURE INSTALLATION SHOULD BE CONDUCTED BY A QUALIFIED LICENSED PROFESSIONAL.

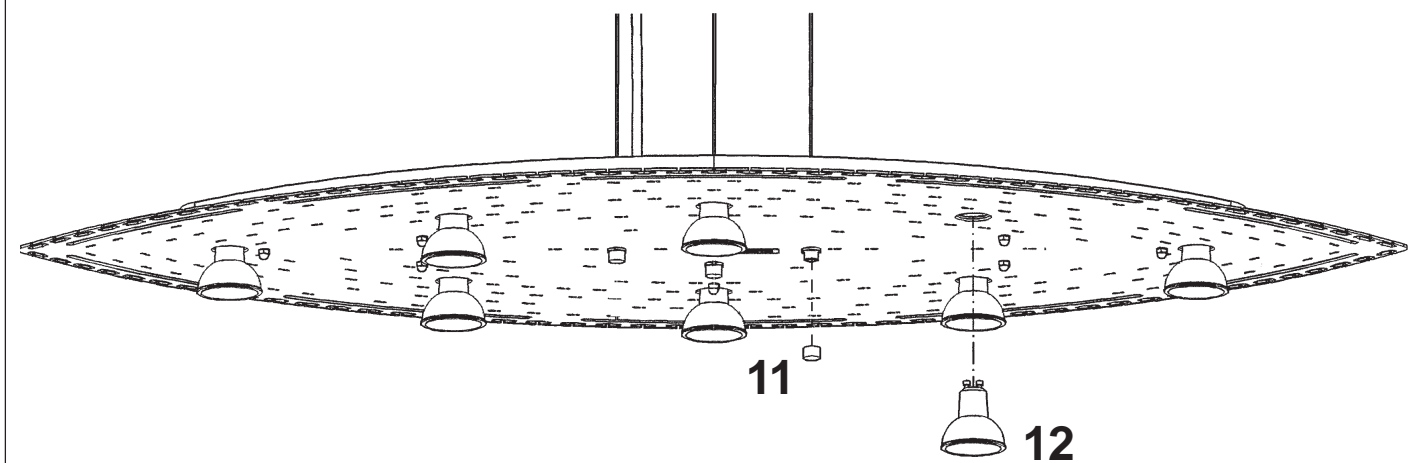
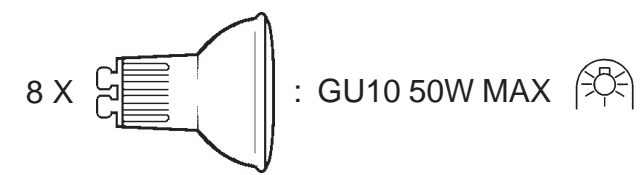
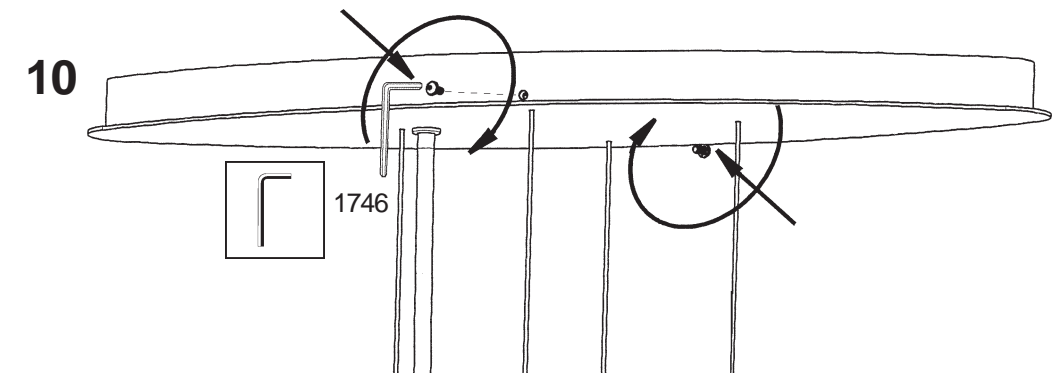
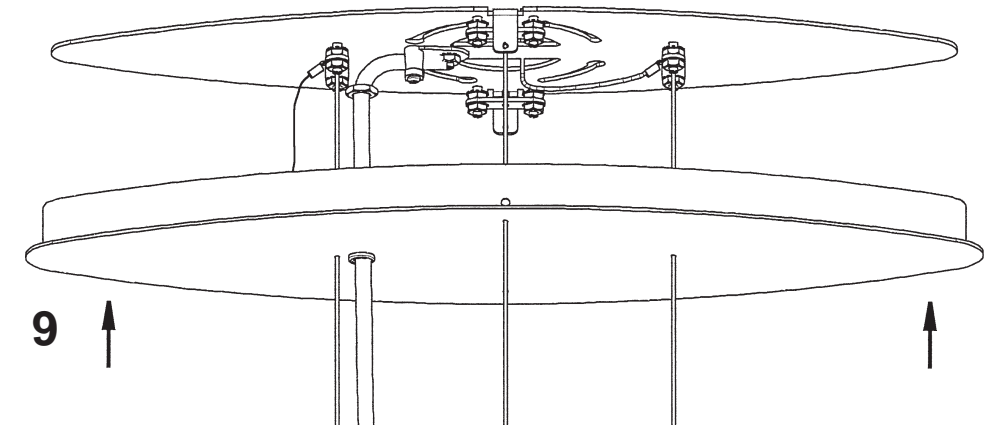
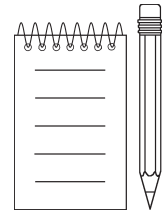


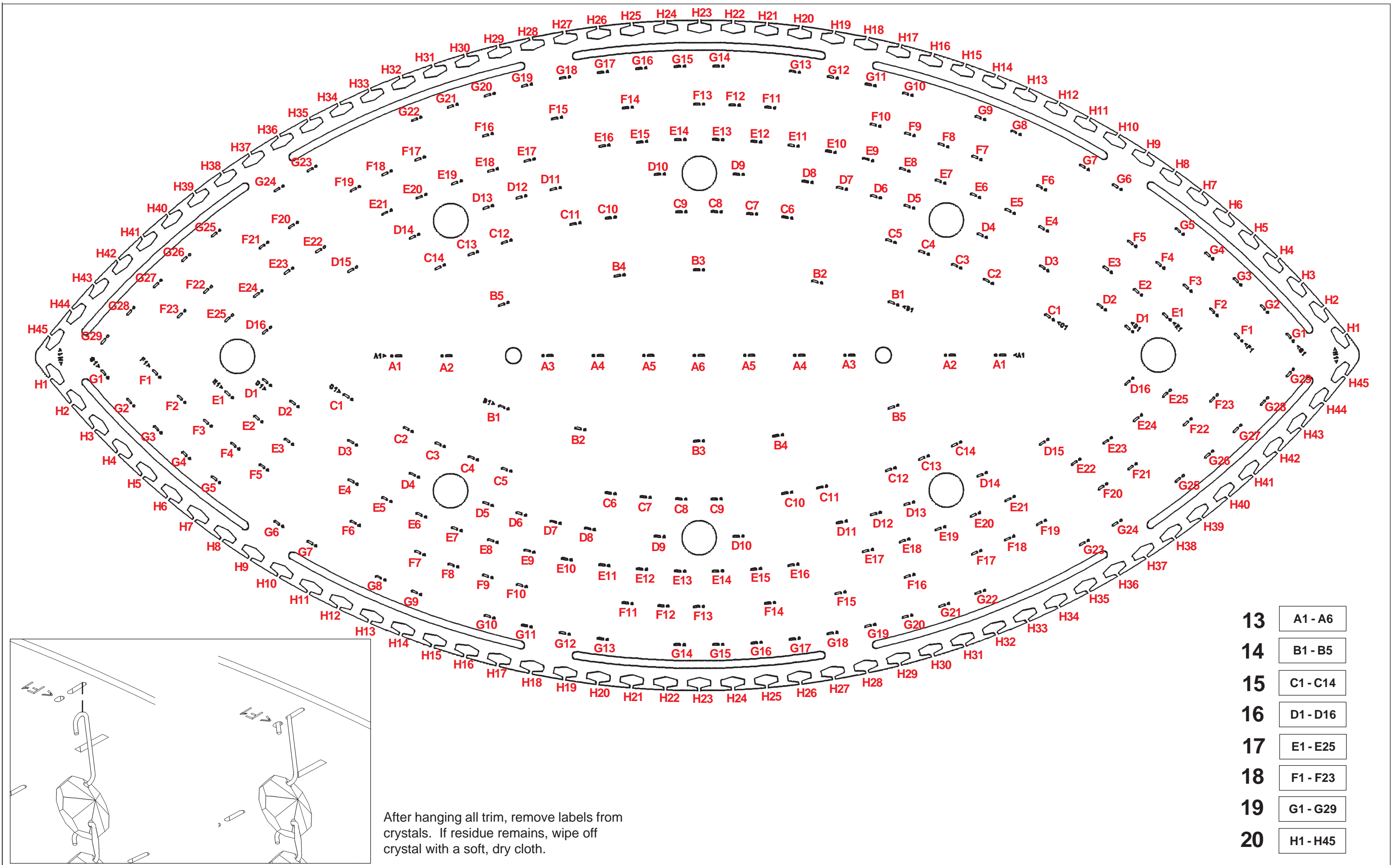


1X  : 1746

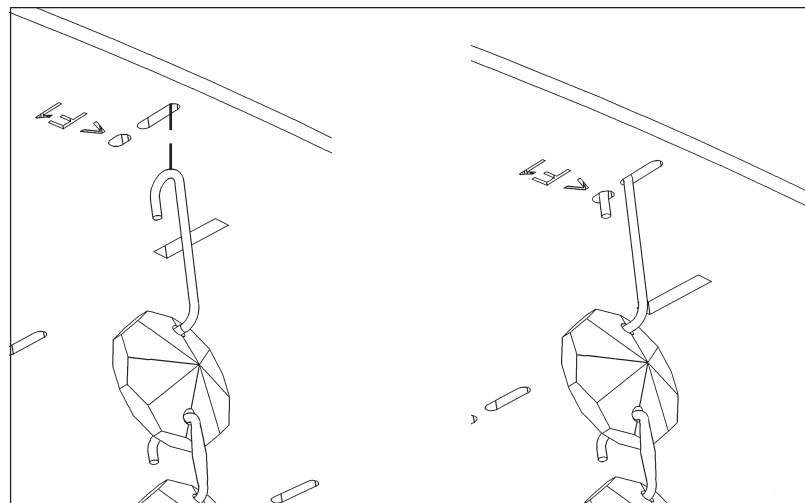








- 13** A1 - A6
- 14** B1 - B5
- 15** C1 - C14
- 16** D1 - D16
- 17** E1 - E25
- 18** F1 - F23
- 19** G1 - G29
- 20** H1 - H45



After hanging all trim, remove labels from crystals. If residue remains, wipe off crystal with a soft, dry cloth.