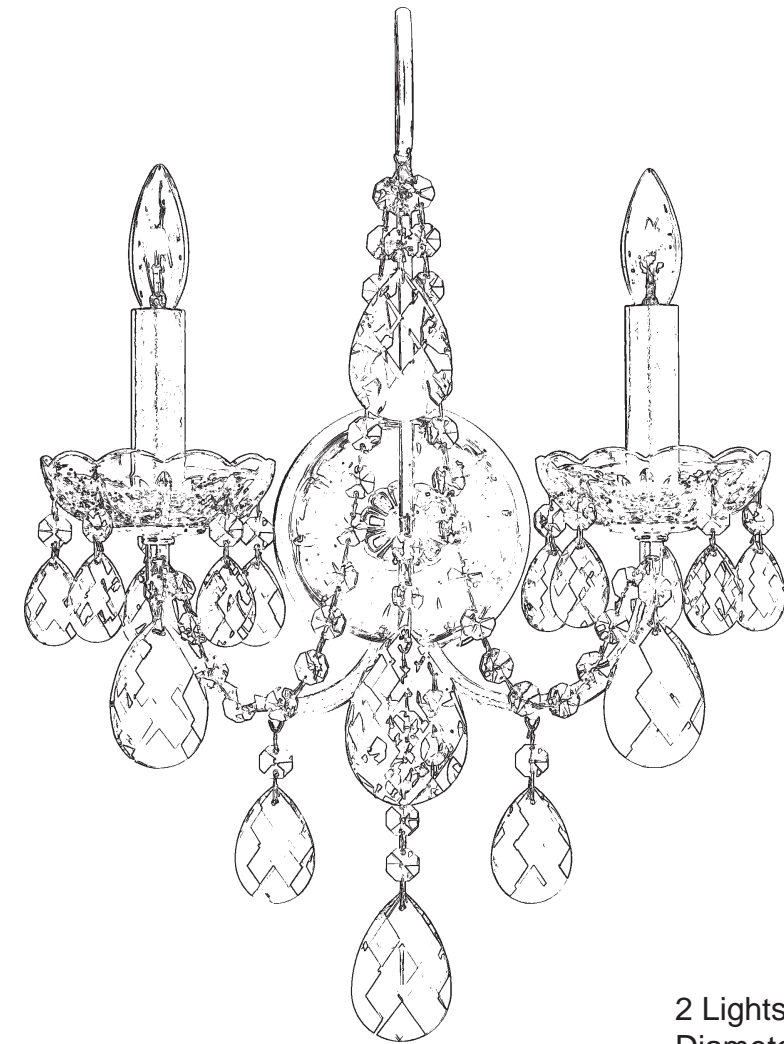




SCHONBEK®

SONATINA ST1939N- __ __S



2 Lights
Diameter: 12-1/2"
Height: 17"
Extension: 5-1/2"
Hanging Weight: 3lbs.

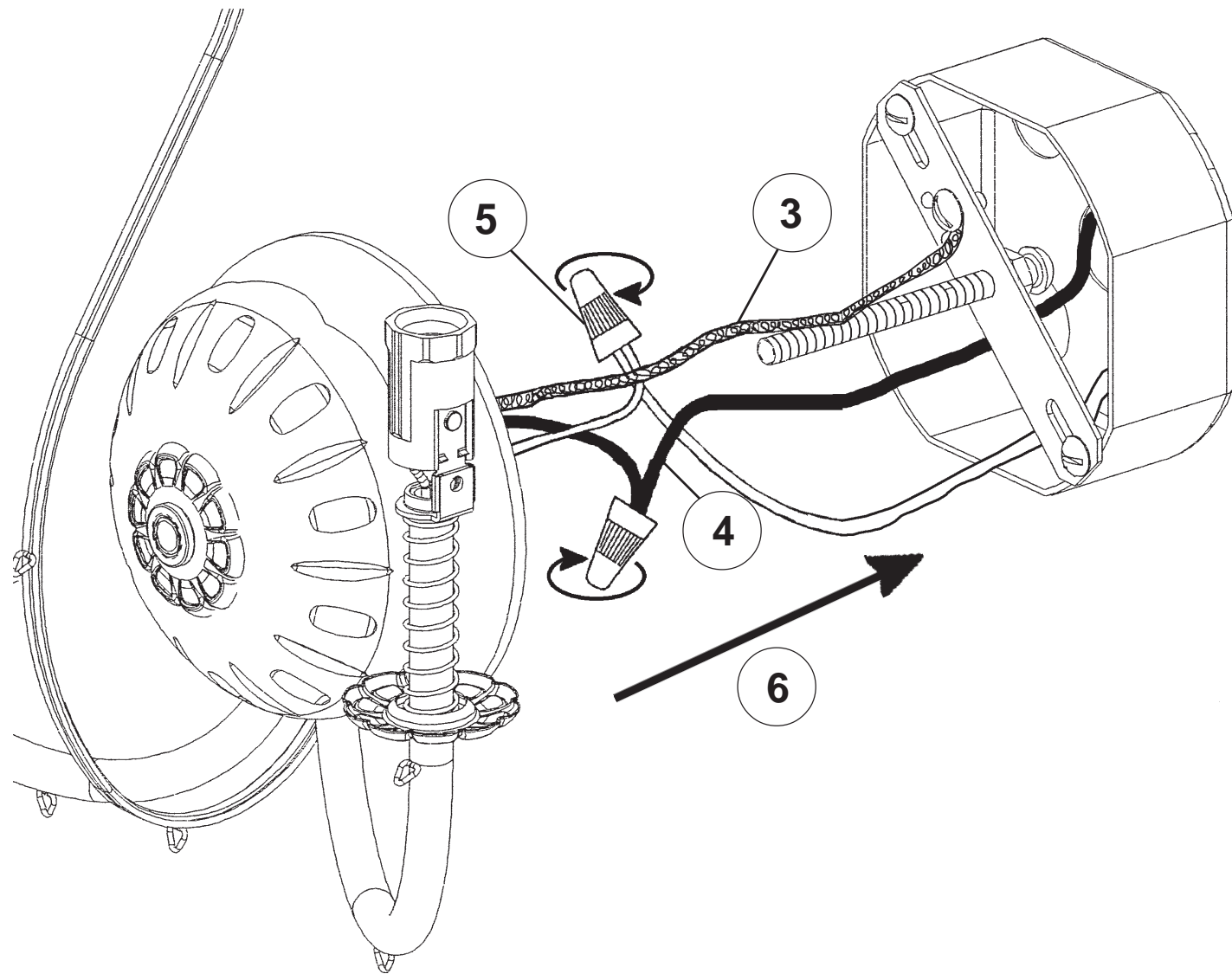
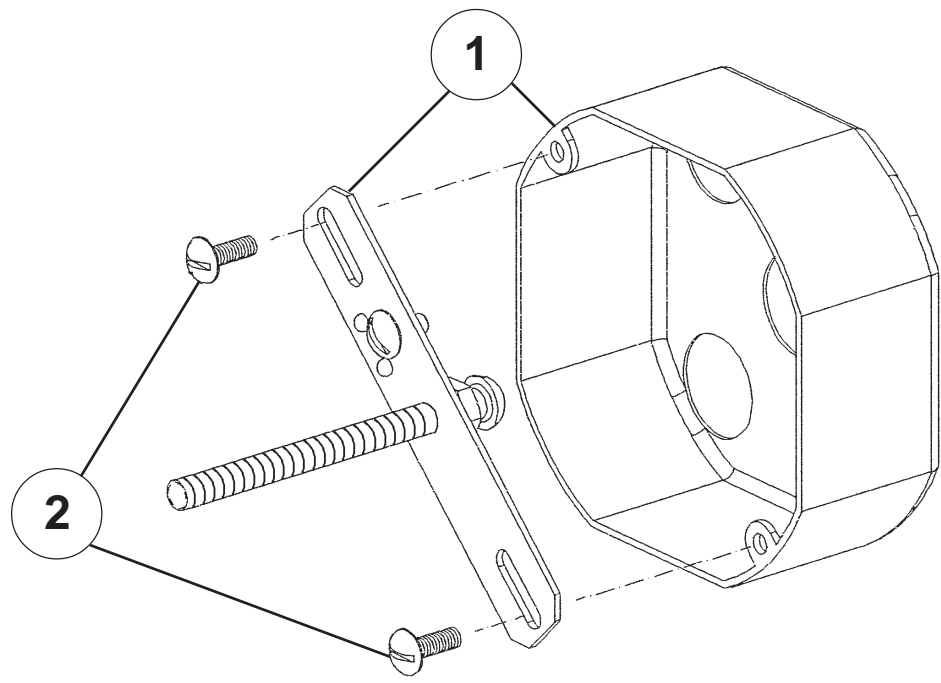
THIS DESIGN IS THE PROPRIETARY
TRADE DRESS/TRADEMARK OF
SWAROVSKI LIGHTING, LTD.

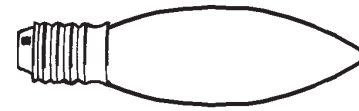
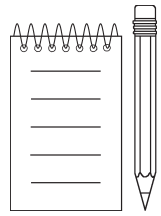


SCHONBEK®

| | | | | | | | | |
|-----------------|--|-----------|--|--|--|--|--|--|
| | | | | | | | | |
| MAX <u>60</u> W | | 110-120 V | | | | | | |

SCHONBEK® is a member of the Swarovski company.





You will need 2 - B10
25 Watts Recommended
60 Watts Max

**Install bulbs and be
sure to test fixture
BEFORE trimming.**

