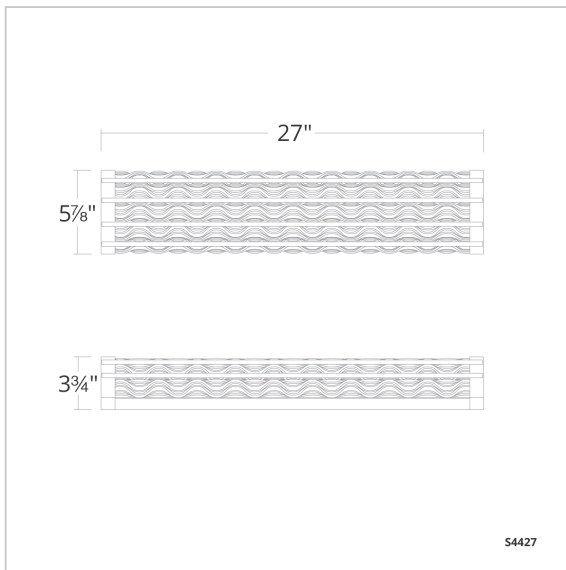


Fortress

S4427



LINE DRAWING



DESCRIPTION

Layers of glamorous hand-finished Aged Brass and sparkling Optic crystal unite, creating a magical curvilinear silhouette. This luminous wall light brings artistry and beauty into everyday life, adding a sense of wonder to luxury baths.

FEATURES

- Built in color temperature adjustability. Switch from 3000K/3500K/4000K. Switch may be installed in junction box.
- Can be mounted on wall in all orientations
- Driver concealed within the canopy

CRYSTAL OPTIONS



Optic Crystal
(O)

FINISH OPTIONS



Aged Brass
(-700)

SPECIFICATIONS

Light Source	LED
CRI	90
Dimming	ELV, Triac
Standards	ETL/cETL, Title 24

REPLACEMENT PARTS

RPL-GLA-4427 - Replacement Glass for S4427

Model	Finish	Crystal	Size	CCT	Weight	Voltage	Wattage	LED Lumens	Delivered Lumens
S4427	- 700	O	27"	3000K/3500K/ 4000K	11.4lbs	120-277 VAC	28W	3350	Up To 2010

Example: S4427-7000