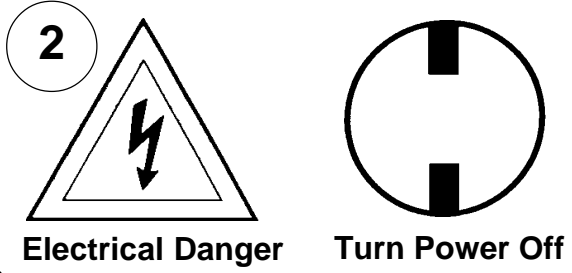
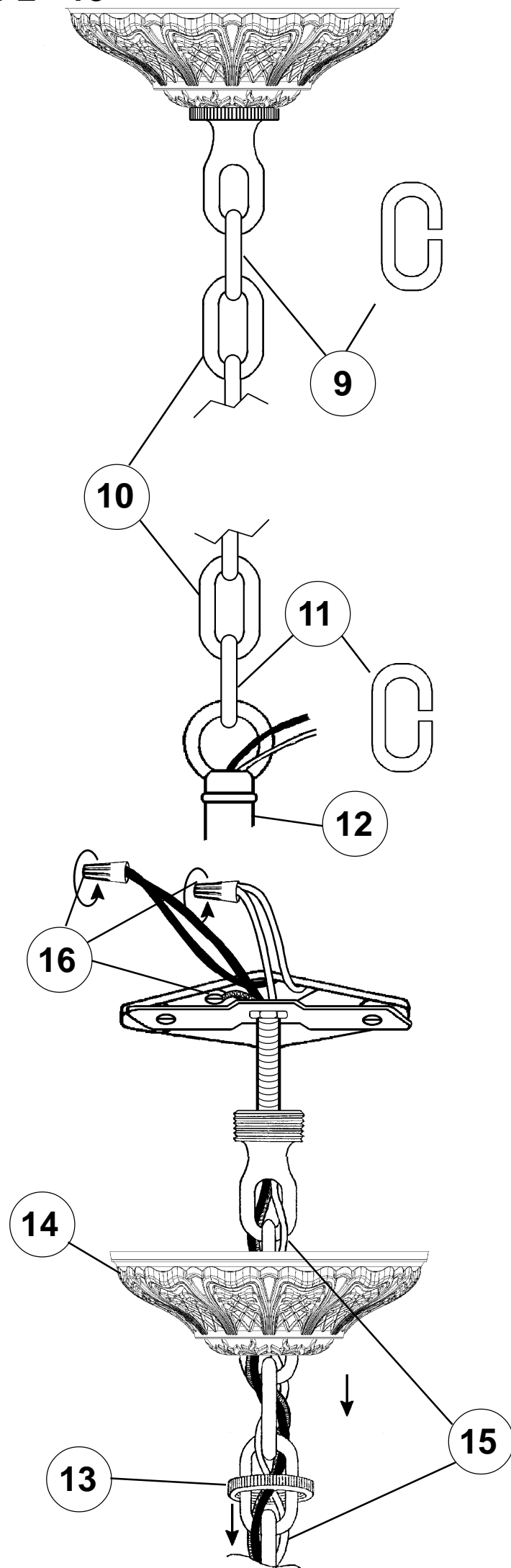
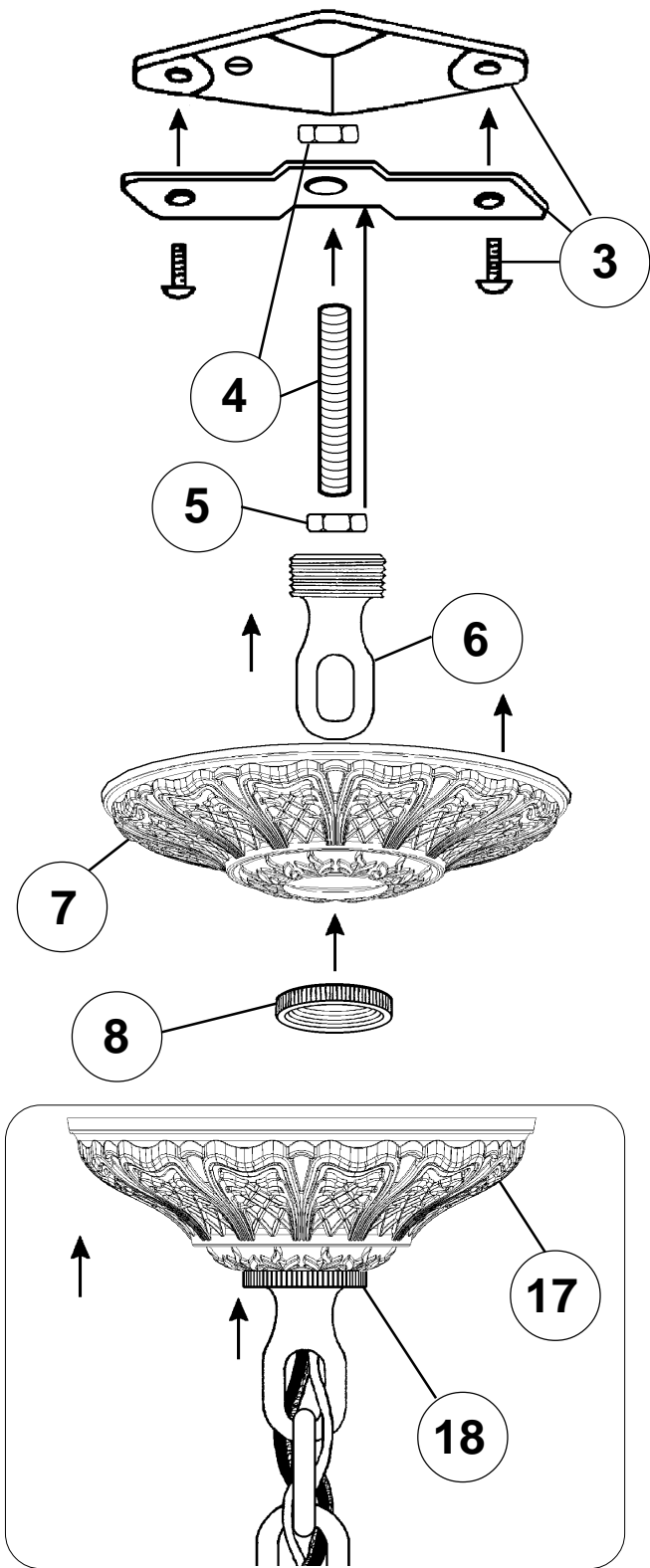


Instructions for electrician
STEPS 2 - 18

WARNING:



All electrical components must be installed by a licensed electrician in accordance with the National Electric Code and the appropriate local electrical codes.



CHANDELIER 5682- _____ A TRIM DIAGRAM

(Finish Option)



THIS DESIGN IS THE PROPRIETARY TRADE DRESS/TRADEMARK OF SCHONBEK WORLDWIDE LIGHTING INC.

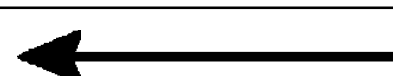
8 + 4 Lights
Diameter: 32-1/2"
Body Length: 33-1/2"
Hanging Weight: 31 lbs.

SCHONBEK®

See diagram on back page
Follow steps in exact order
Save this trim diagram for future reference

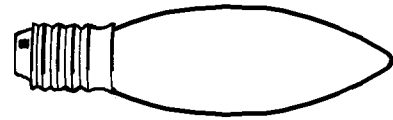
1 **IMPORTANT**
Person who opens carton should record the following information for future service.

CODE # _____	Four-digit number on outside of carton.
PACKER # _____	See crystal package label.
ORDER # _____	See crystal package label.



Instructions for crystal trimming

STEPS 19 - 33

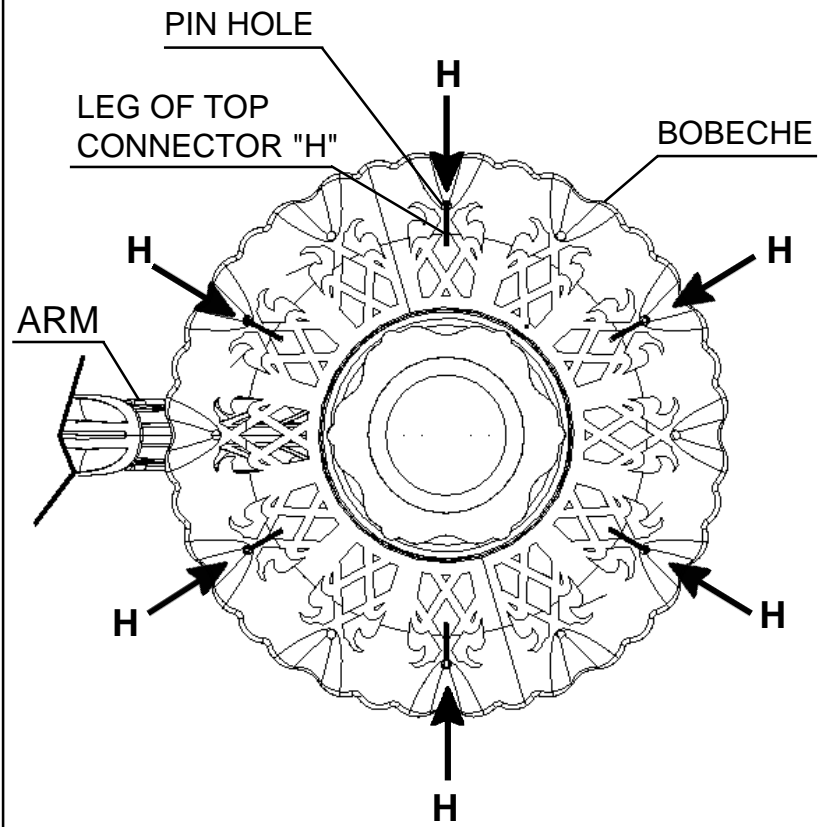


You will need 12 - C10
25 Watts Recommended
60 Watts Max

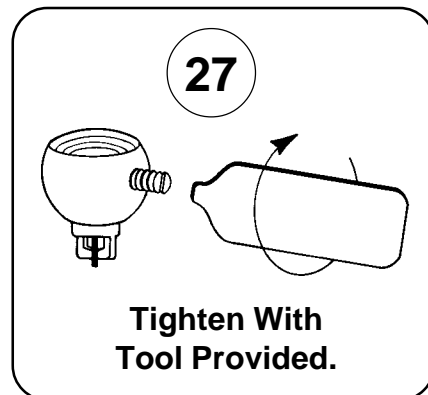
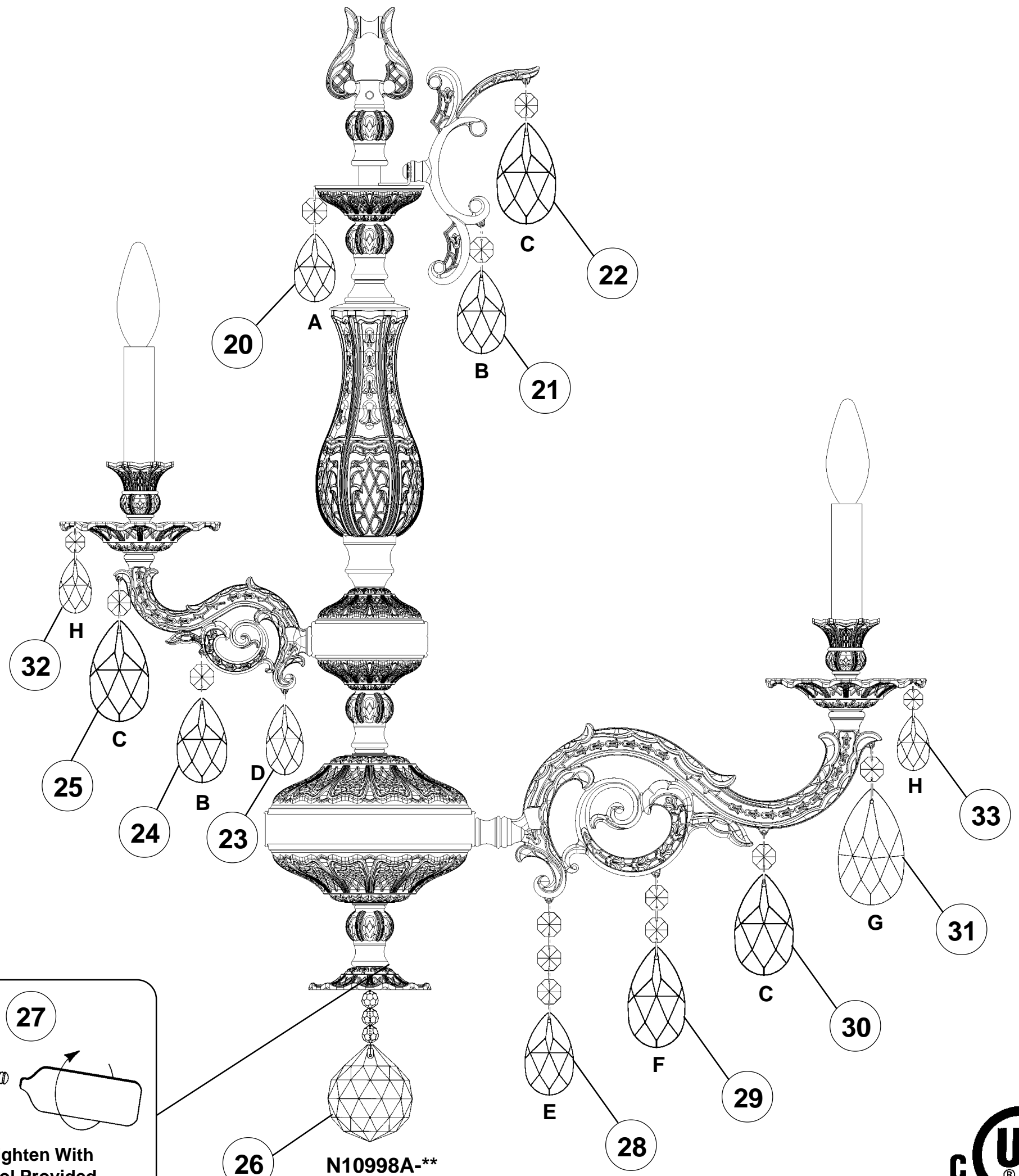
19

Install bulbs and be
sure to test fixture
BEFORE trimming.

DIAGRAM #1



When trimming bobeche with letter "H", insert leg of top connector into pin hole from under bobeche. Hang in every other pin hole starting on either side of the arm (refer to Diagram #1)



26 N10998A-**

