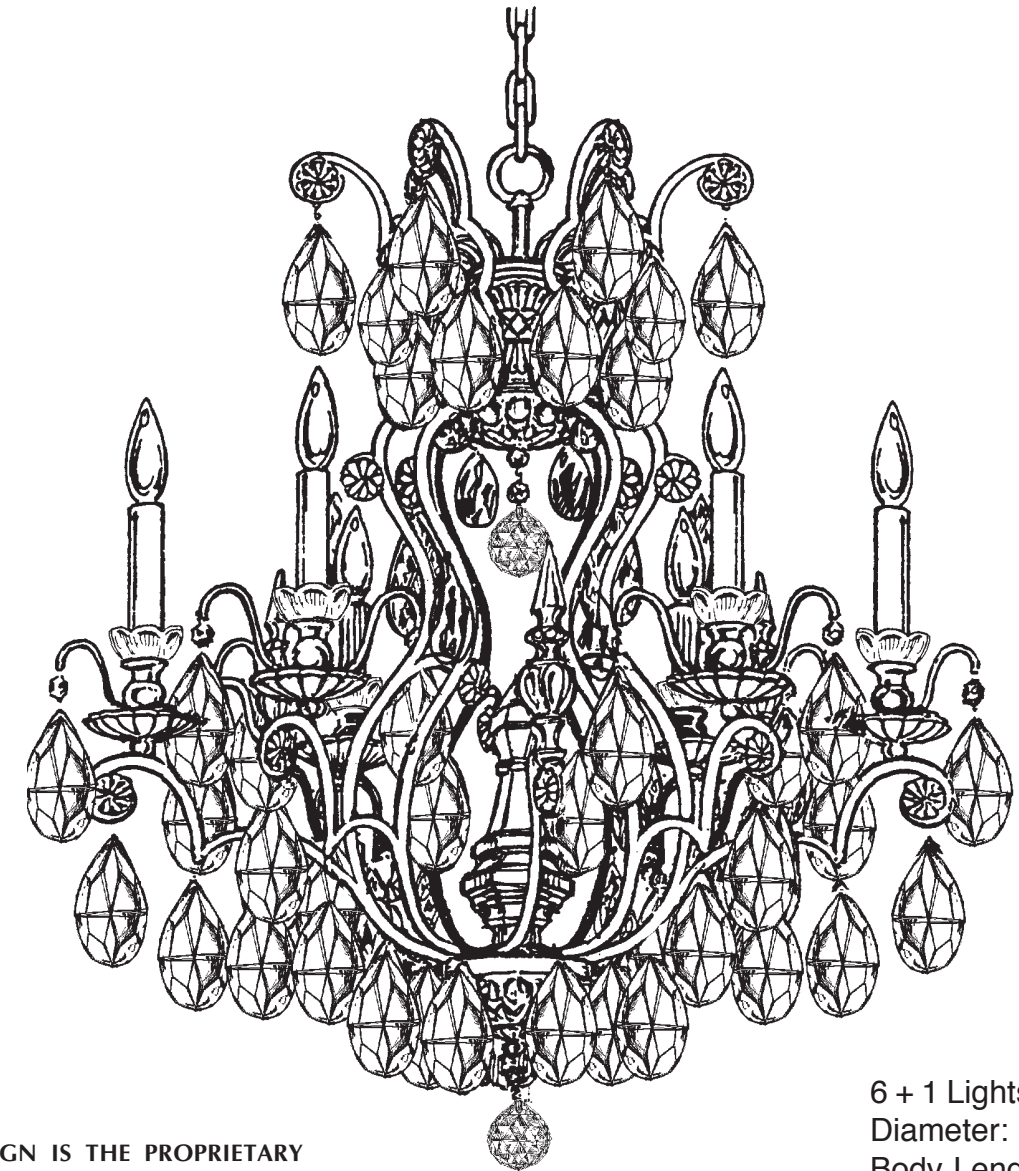




SCHONBEK®

RENAISSANCE 3770- _____



THIS DESIGN IS THE PROPRIETARY TRADE DRESS/TRADemark OF SWAROVSKI LIGHTING, LTD.

6 + 1 Lights
Diameter: 23-1/2"
Body Length: 27"
Hanging Weight: 29 lbs.

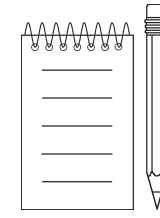
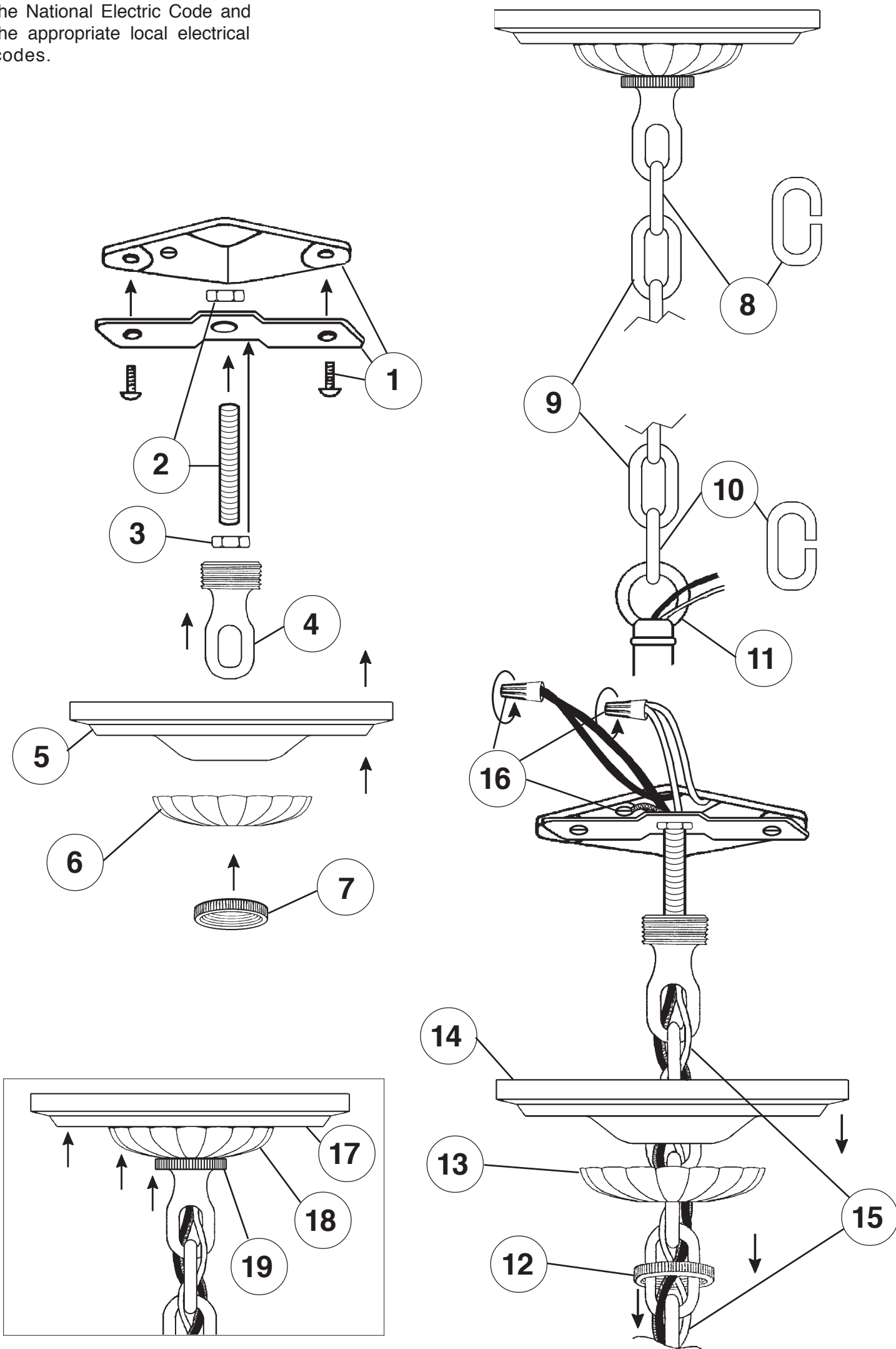


SCHONBEK®

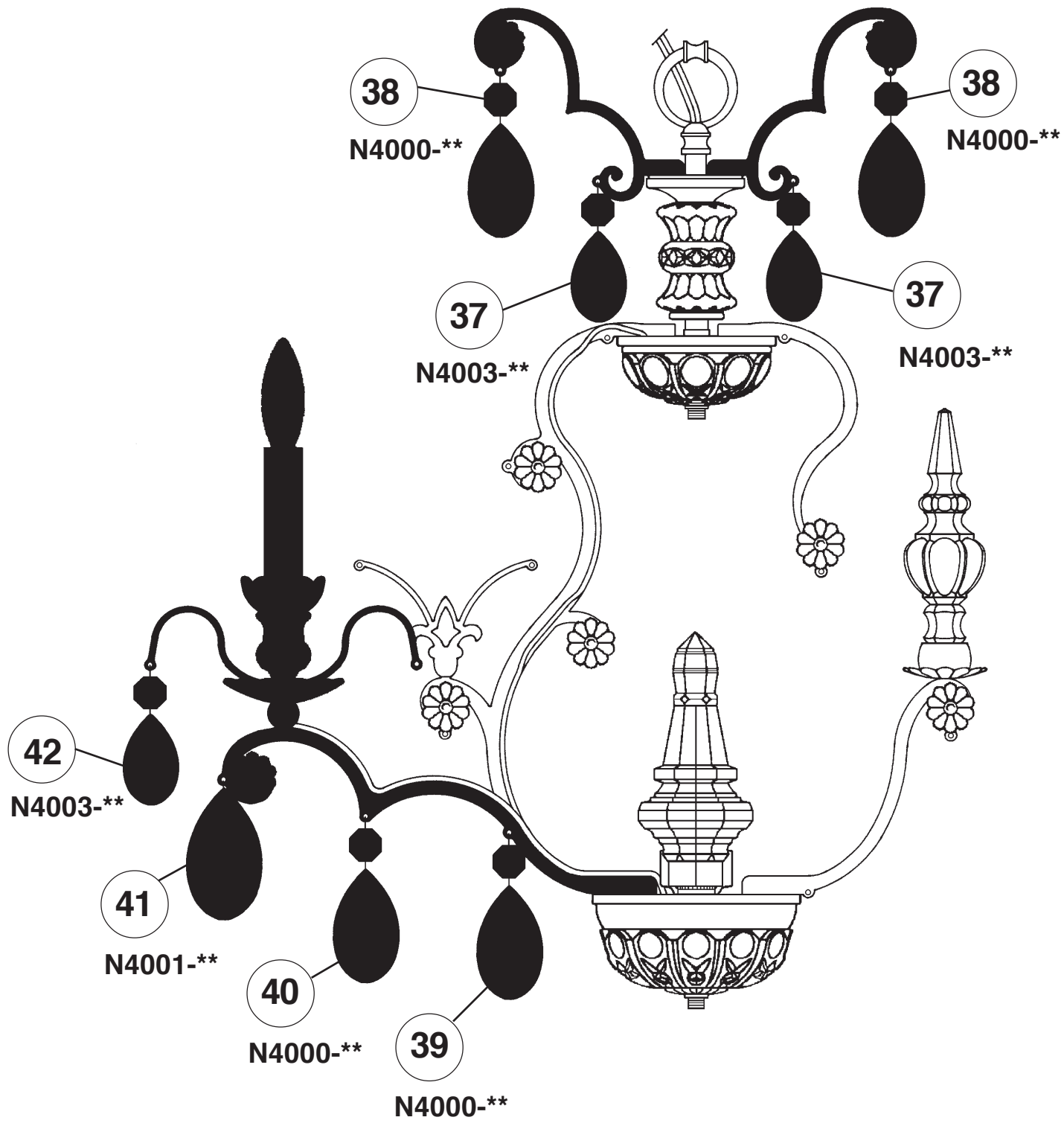
MAX 60 W	MAX 15 W	110-120 V					

SCHONBEK® is a member of the Swarovski group.

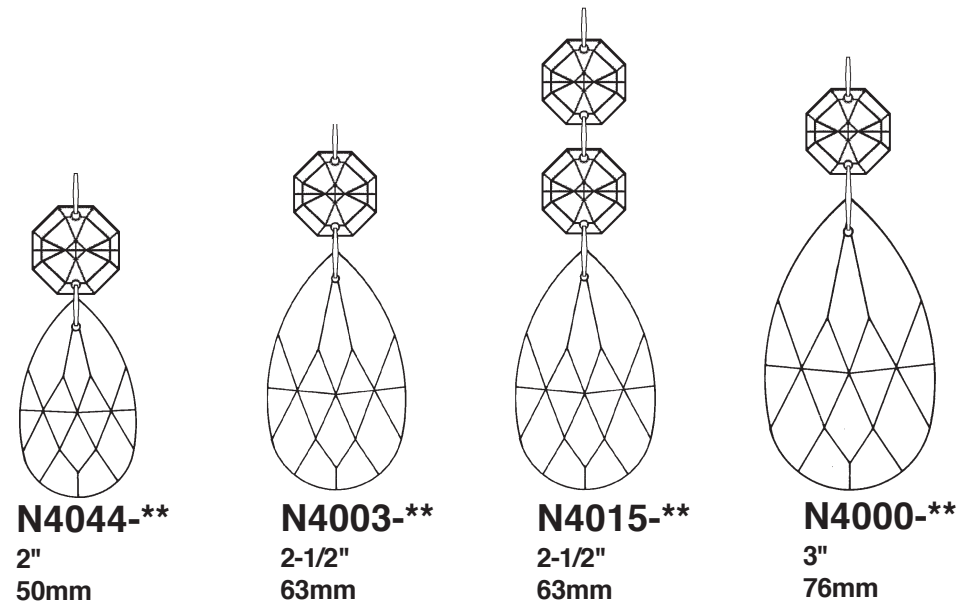
All electrical components must be installed by a licensed electrician in accordance with the National Electric Code and the appropriate local electrical codes.



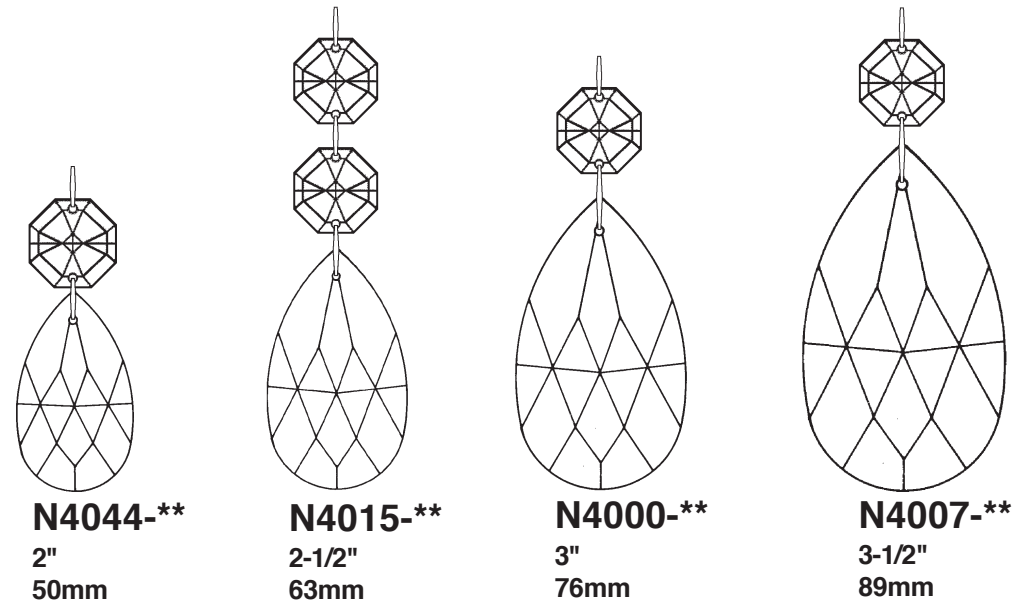
Crystal Set #3 in Black



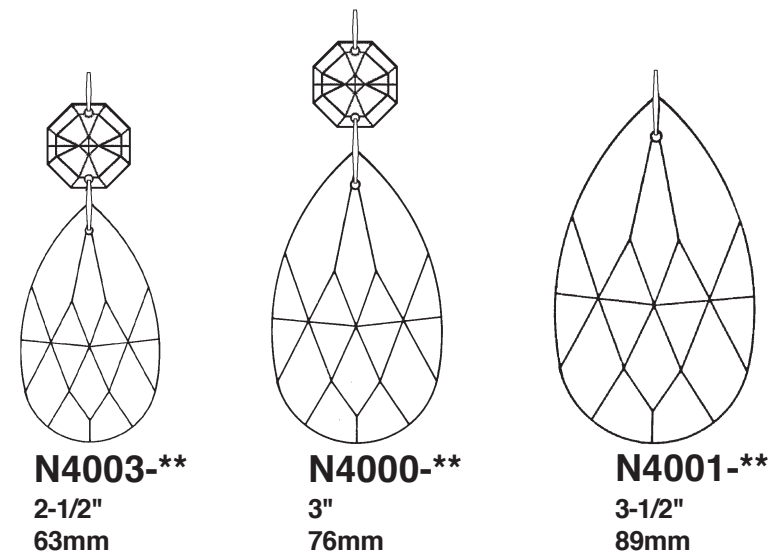
SET #1

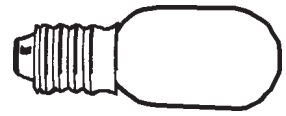


SET #2



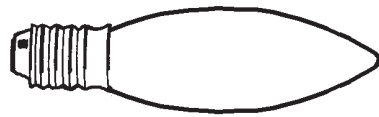
SET #3





You will need 1 - T7
15 Watts Max
(Center Light)

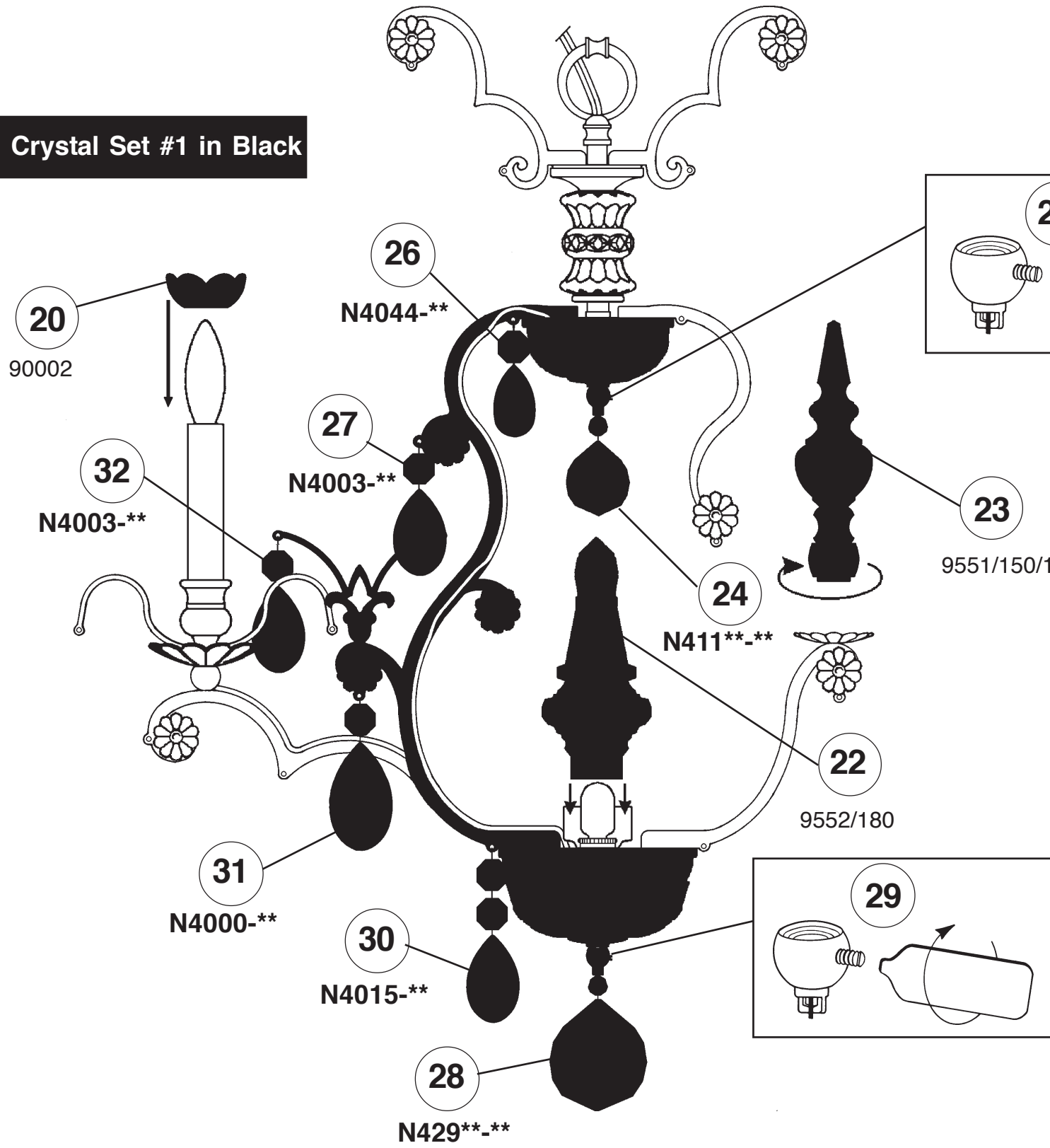
21



You will need 6 - B10
25 Watts Recommended
60 Watts Max

Install bulbs and be sure
to test fixture BEFORE
trimming.

Crystal Set #1 in Black



Crystal Set #2 in Black

