

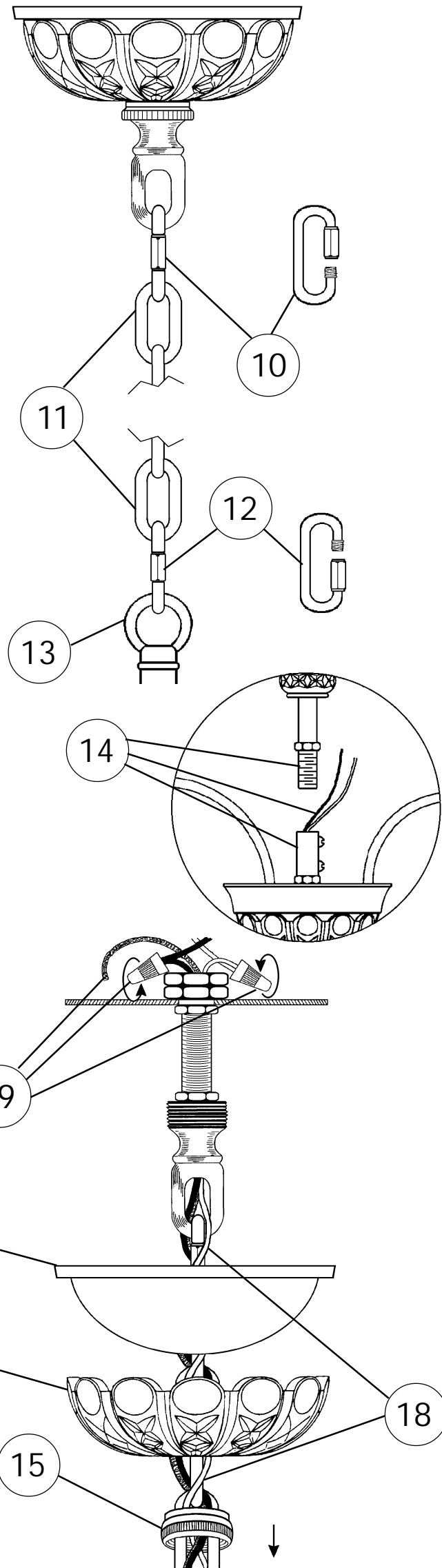
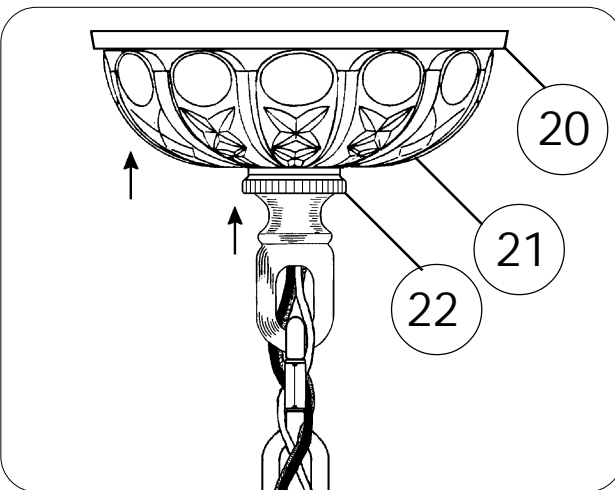
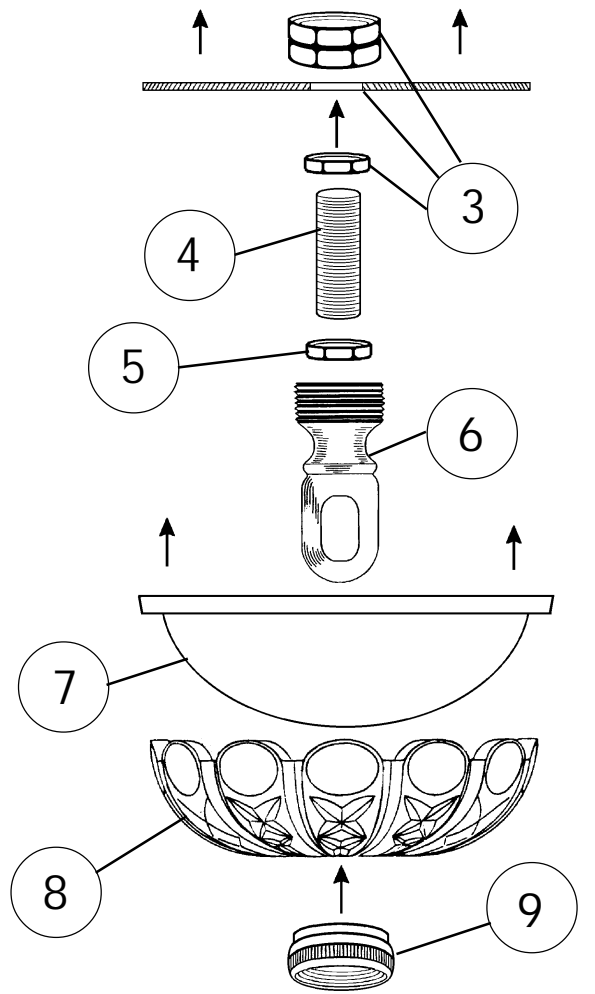
Instructions for electrician STEPS 2 - 22

WARNING: THIS LUMINAIRE MUST BE MOUNTED OR SUPPORTED INDEPENDENTLY OF AN OUTLET BOX.

2 **WARNING:**

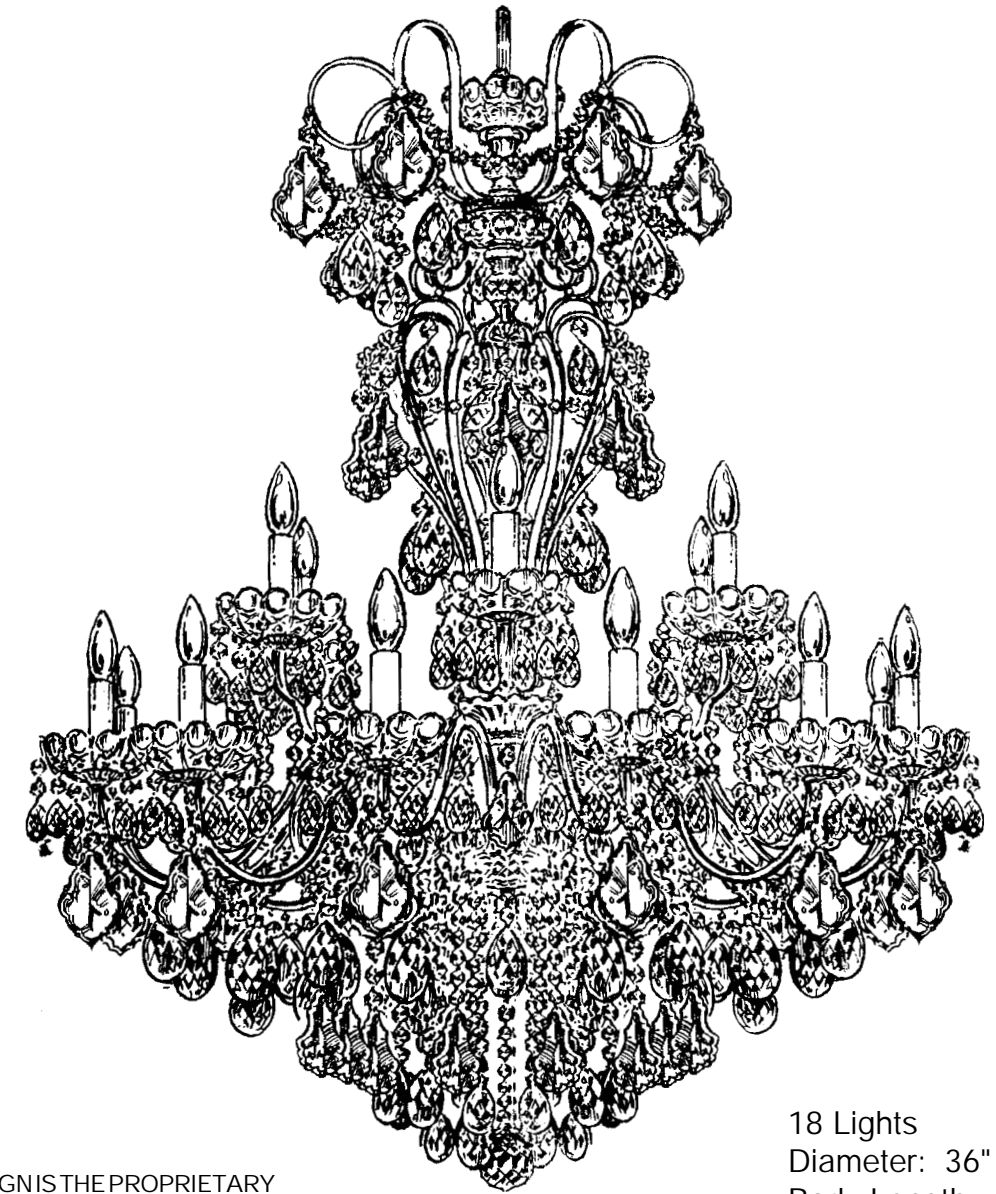
Electrical Danger Turn Power Off

All electrical components must be installed by a licensed electrician in accordance with the National Electric Code and the appropriate local electrical codes.



CHANDELIER 3660-___ __S TRIM DIAGRAM

(Finish Option)



18 Lights
Diameter: 36"
Body Length: 44"
Hanging Weight: 54 lbs.

THIS DESIGN IS THE PROPRIETARY TRADE DRESS/TRADE MARK OF SCHONBEK WORLDWIDE LIGHTING INC.

SCHONBEK®


See diagram on back page
Follow steps in exact order
Save this trim diagram for future reference

1 **IMPORTANT**
Person who opens carton should record the following information for future service.
CODE # _____ Four-digit number on outside of carton.
PACKER # _____ See crystal package label.
ORDER # _____ See crystal package label.

SCHONBEK IS A WORLD LEADER IN CHANDELIER DESIGN. PATENTS INCLUDE: #D5,404,285, #D338,278 & #D345,815

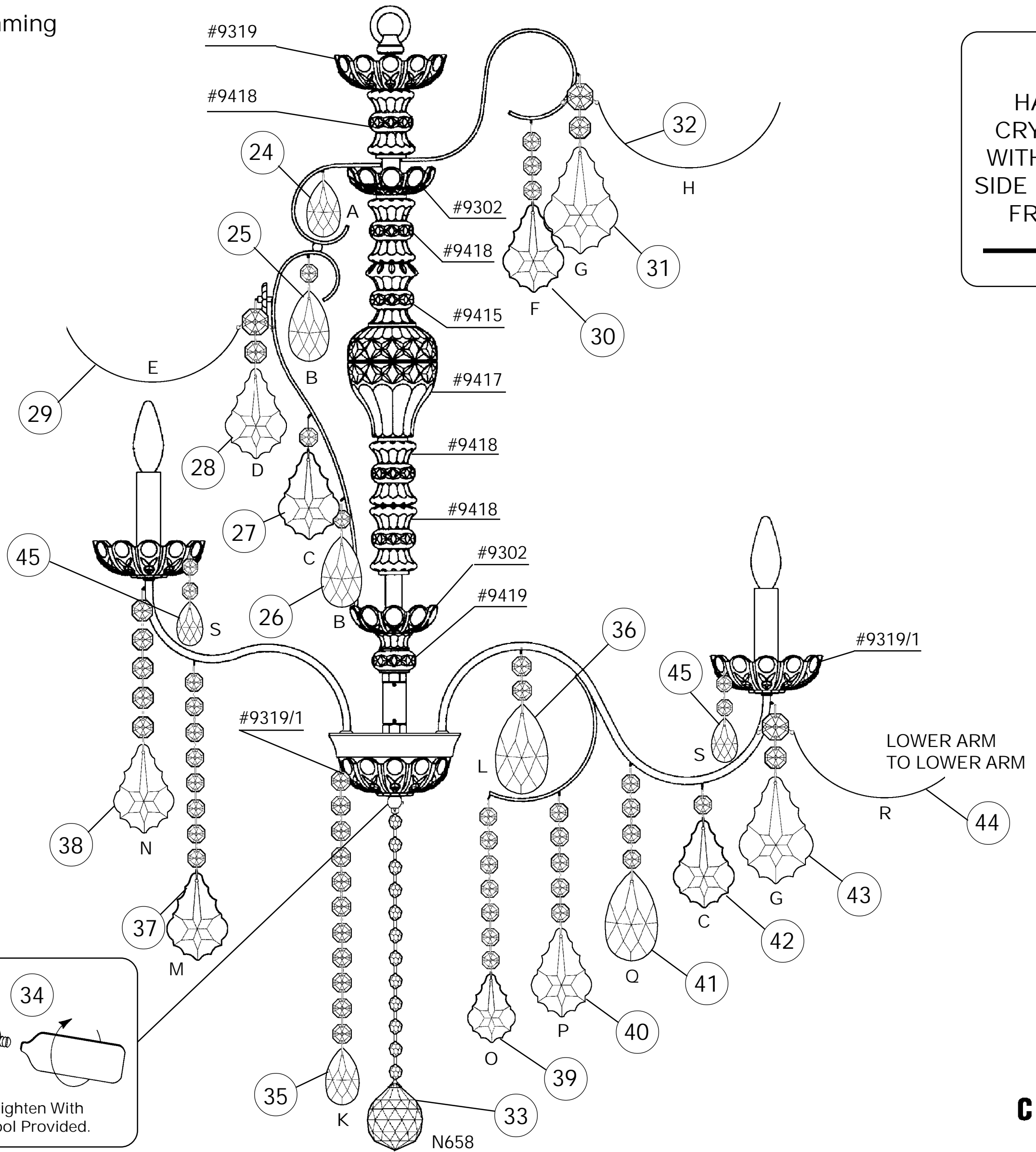
Instructions for crystal trimming
STEPS 23 - 45

23



You will need 18 - C10
25 Watts Recommended
60 Watts Max

Install bulbs and be sure
to test fixture BEFORE
trimming.



HANG
CRYSTAL
WITH FLAT
SIDE FACING
FRONT

34

Tighten With
Tool Provided.